

Job: _____	Representative: _____
_____	_____
_____	Order By: _____ Date: _____
Engineer: _____	Submitted By: _____ Date: _____
Contractor: _____	Approved By: _____ Date: _____

PROVIDES CONVENIENT WIRING CONNECTION FOR PUMP STATION APPLICATIONS

These junction boxes provide a convenient location to connect all wiring required for a typical pumping station, on-site system or other electrical installation.



FEATURES

- NEMA 4X enclosure rated for outdoor use.
- External mounting feet included.
- Three-year limited warranty.

OPTIONS

Junction Boxes are available with:

- 1/2" or 3/4" UL Approved, CSA Certified round cable liquid-tight strain relief connectors (installed).
- 1 1/2", or 2" terminal adapter hub (installed).

SPECIFICATIONS

LID AND BOX: UL Approved and CSA Certified made from high impact, corrosion resistant, weatherproof thermoplastic

GASKET: flexible PVC

SCREWS: brass

INTERNAL VOLUME:

■ 4 x 4 x 4 is 50.65 cubic inches (830 cubic cm)

■ 6 x 6 x 4 is 144 cubic inches (2360 cubic cm)

■ 8 x 8 x 4 is 261.14 cubic inches (4280 cubic cm)

EXTERNAL ENCLOSURE SIZE:

■ 4 x 4 x 4 inches (10.16 x 10.16 x 10.16 cm)

■ 6 x 6 x 4 inches (15.24 x 15.24 x 10.16 cm)

■ 8 x 8 x 4 inches (20.32 x 20.32 x 10.16 cm)

JUNCTION BOX INSTALLATION INSTRUCTIONS

⚠ WARNING



ELECTRICAL SHOCK HAZARD

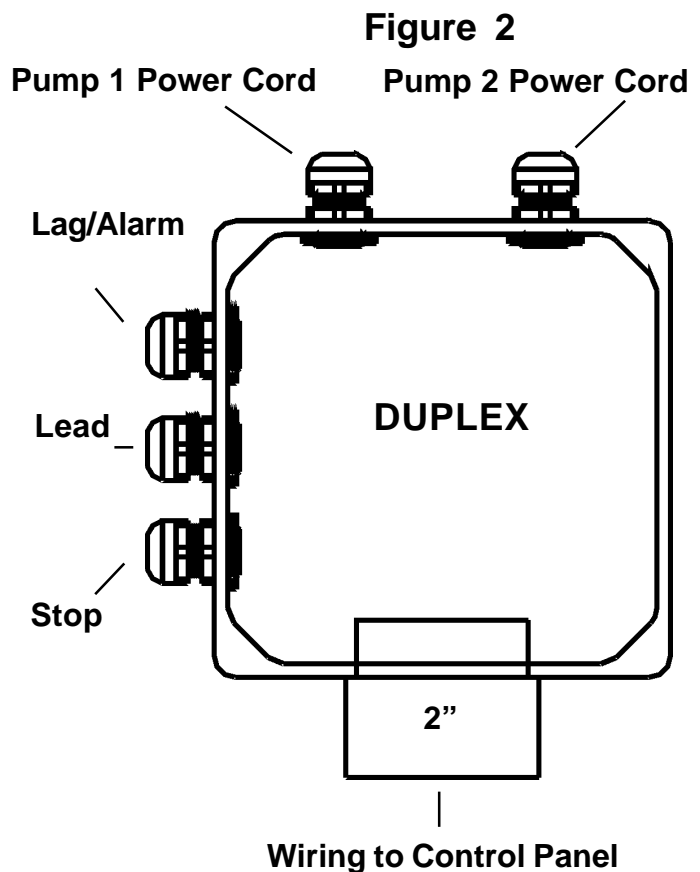
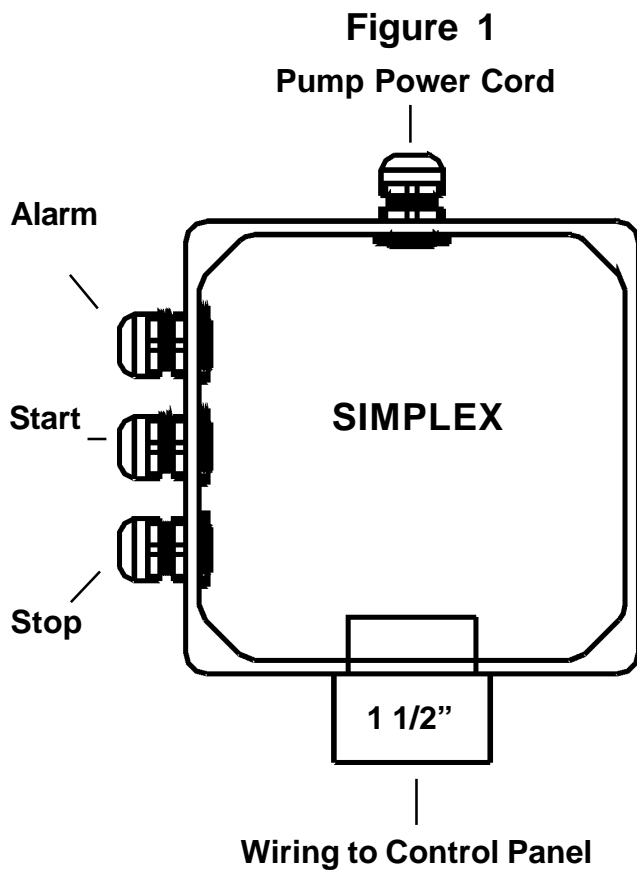
Disconnect power before installing or servicing this product. A qualified service person must install and service this product according to applicable electrical and plumbing codes.

Failure to follow these precautions could result in serious injury or death. Keep these instructions with warranty after installation. This product must be installed in accordance with National Electric Code, ANSI/NFPA 70.

INSTALLING THE JUNCTION BOX

1. Mount junction box in desired location.
2. Install wiring. See Figure 1 and 2 for potential cord placement for simplex and duplex systems.
3. Seal the hub as required by local and national electrical code to prevent moisture from entering junction box.
4. Install cover gasket to cover.
5. Install cover.

POTENTIAL CORD ENTRY LOCATIONS FOR SIMPLEX AND DUPLEX SYSTEMS



S.A. Armstrong Limited
23 Bertrand Avenue
Toronto, Ontario
Canada, M1L 2P3
Tel: (416) 755-2291
Fax: (416) 759-9101
Visit us at www.armstrongpumps.com

Armstrong Pumps Limited
Peartree Road, Stanway
Colchester, Essex
United Kingdom, C03 5JX
Tel: 01206-579491
Fax: 01206-760532



Armstrong Pumps Inc.
93 East Avenue
Buffalo, New York
U.S.A. 14120-6594
Tel: (716) 693-8813
Fax: (716) 693-8970

Armstrong Darling Inc.
2200 Place Transcanadienne
Montreal, Quebec
Canada, H9P 2X5
Tel: (514) 421-2424
Fax: (514) 421-2436

© S.A. Armstrong Limited 2000

