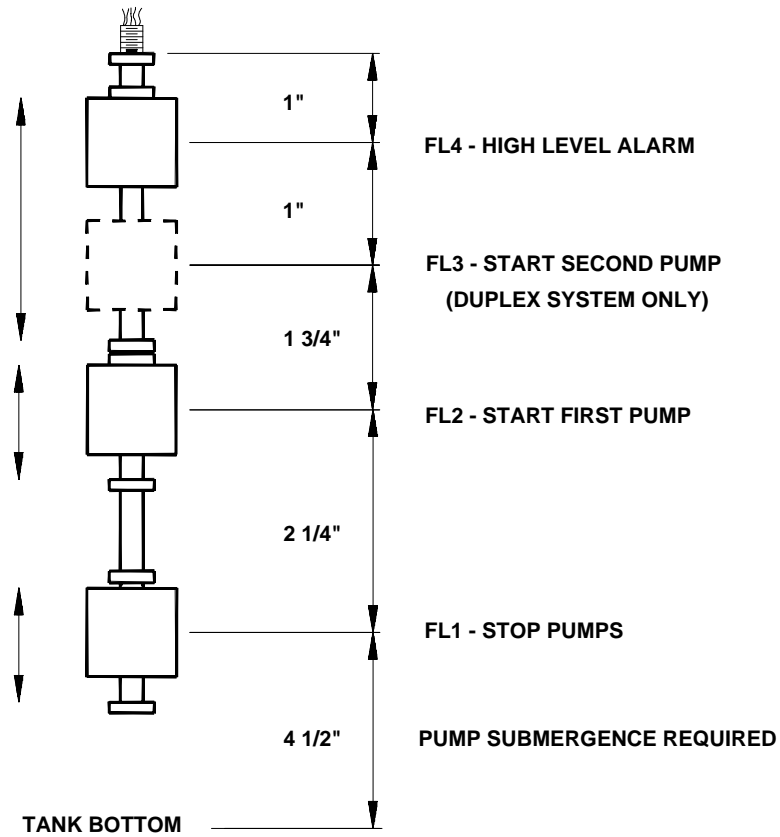


CONDENSATE RETURN UNICON TYPE #2 WIRING INSTRUCTIONS

FILE NO.:	45.82
DATE:	MAY 15, 1997
SUPERSEDES:	NEW
DATE:	NEW

MULTILEVEL SWITCH FOR 1" UNICON RESERVOIR: 10 1/2"



FL4 (NO)		BROWN BROWN	(17) (2)
FL3 (NC)		BLUE BLUE	(14) (2)
FL2 (NO)		YELLOW YELLOW	(13) (12)
FL1 (NO)		RED RED	(12) (2)

**TERMINAL
NUMBER**

S.A. Armstrong Limited
23 Bertrand Avenue
Toronto, Ontario
Canada, M1L 2P3
Tel: (416) 755-2291
Fax: (416) 759-9101

Armstrong Pumps Limited
Peartree Road, Stanway
Colchester, Essex
United Kingdom, C03 5JX
Tel: 01206-579491
Fax: 01206-760532



Armstrong Pumps Inc.
93 East Avenue
Buffalo, New York
U.S.A. 14120-6594
Tel: (716) 693-8813
Fax: (716) 693-8970

Armstrong Darling Inc.
2200 Place Transcanadienne
Montreal, Quebec
Canada, H9P 2X5
Tel: (514) 421-2424
Fax: (514) 421-2436