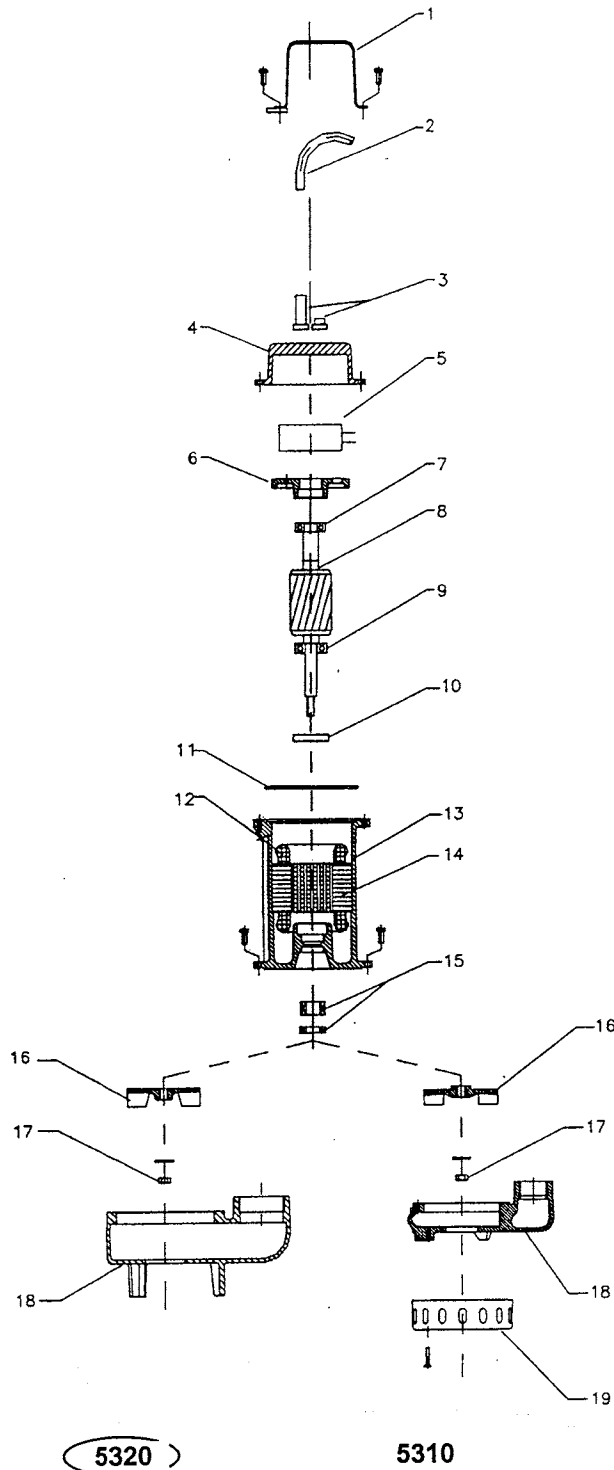


## MODEL 5320-100 SEWAGE PUMP

### EXPLODED VIEW



DESCRIPTION	PART NO.
1. HANDLE	
2. CABLE	
3. RUBBER GASKET	
4. MOTOR COVER	
5. CAPACITOR	
6. UPPER BEARING HOLDER	
7. UPPER BALL BEARING	
8. SHAFT WITH ROTOR	442003-028
9. LOWER BALL BEARING	
10. LIP SEAL	442003-011
11. O-RING	
12. WINDING	
13. MOTOR CASE	
14. STATOR – 230/1/60	442003-020
14. STATOR – 230/3/60	442003-021
14. STATOR – 575/3/60	442003-022
15. MECHANICAL SEAL	442003-014
16. IMPELLER	442003-007
17. NUT	
18. PUMP BODY	
19. STRAINER	

Armstrong Pumps Inc.  
 93 East Avenue  
 Buffalo, New York  
 U.S.A. 14120-6594  
 Tel: (716) 693-8813  
 Fax: (716) 693-8970  
 Visit us at [www.armstrongpumps.com](http://www.armstrongpumps.com)

S.A. Armstrong Limited  
 23 Bertrand Avenue  
 Toronto, Ontario  
 Canada, M1L 2P3  
 Tel: (416) 755-2291  
 Fax: (416) 759-9101



© S. A. Armstrong Limited 2002

Armstrong Pumps Limited  
 Peartree Road, Stanway  
 Colchester, Essex  
 United Kingdom, C03 0LP  
 Tel: 01206-579491  
 Fax: 01206-760532

Armstrong Darling  
 2200 Place Transcanadienne  
 Montreal, Quebec  
 Canada, H9P 2X5  
 Tel: (514) 421-2424  
 Fax: (514) 421-2436

