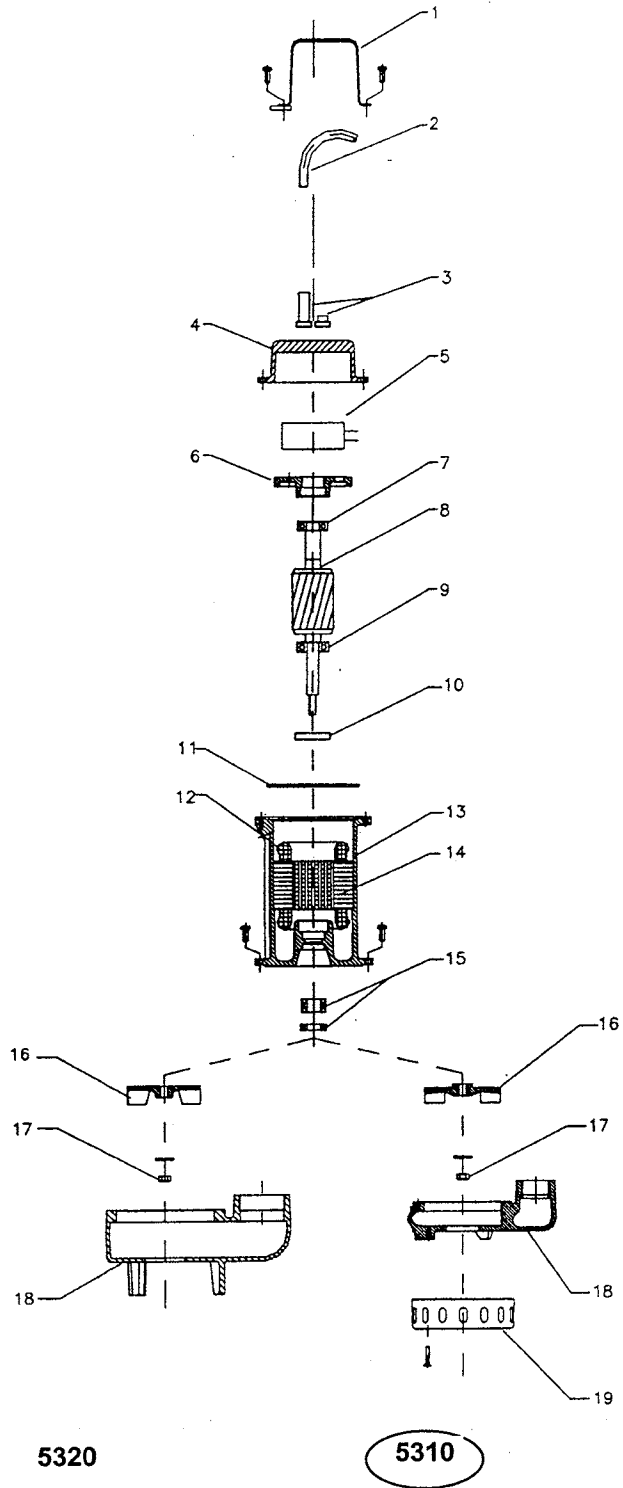


MODEL 5310-150 SUMP PUMP

EXPLODED VIEW



DESCRIPTION	PART NO.
1. HANDLE	
2. CABLE	
3. RUBBER GASKET	
4. MOTOR COVER	
5. CAPACITOR	
6. UPPER BEARING HOLDER	
7. UPPER BALL BEARING	
8. SHAFT WITH ROTOR	442003-029
9. LOWER BALL BEARING	
10. LIP SEAL	442003-011
11. O-RING	
12. WINDING	
13. MOTOR CASE	
14. STATOR - 230/1/60	442003-023
14. STATOR - 575/3/60	442003-024
15. MECHANICAL SEAL	442003-014
16. IMPELLER	442003-008
17. NUT	
18. PUMP BODY	
19. STRAINER	

Armstrong Pumps Inc.
 93 East Avenue
 Buffalo, New York
 U.S.A. 14120-6594
 Tel: (716) 693-8813
 Fax: (716) 693-8970
 Visit us at www.armstrongpumps.com

S.A. Armstrong Limited
 23 Bertrand Avenue
 Toronto, Ontario
 Canada, M1L 2P3
 Tel: (416) 755-2291
 Fax: (416) 759-9101



© S. A. Armstrong Limited 2002

Armstrong Pumps Limited
 Peartree Road, Stanway
 Colchester, Essex
 United Kingdom, C03 0LP
 Tel: 01206-579491
 Fax: 01206-760532

Armstrong Darling
 2200 Place Transcanadienne
 Montreal, Quebec
 Canada, H9P 2X5
 Tel: (514) 421-2424
 Fax: (514) 421-2436

