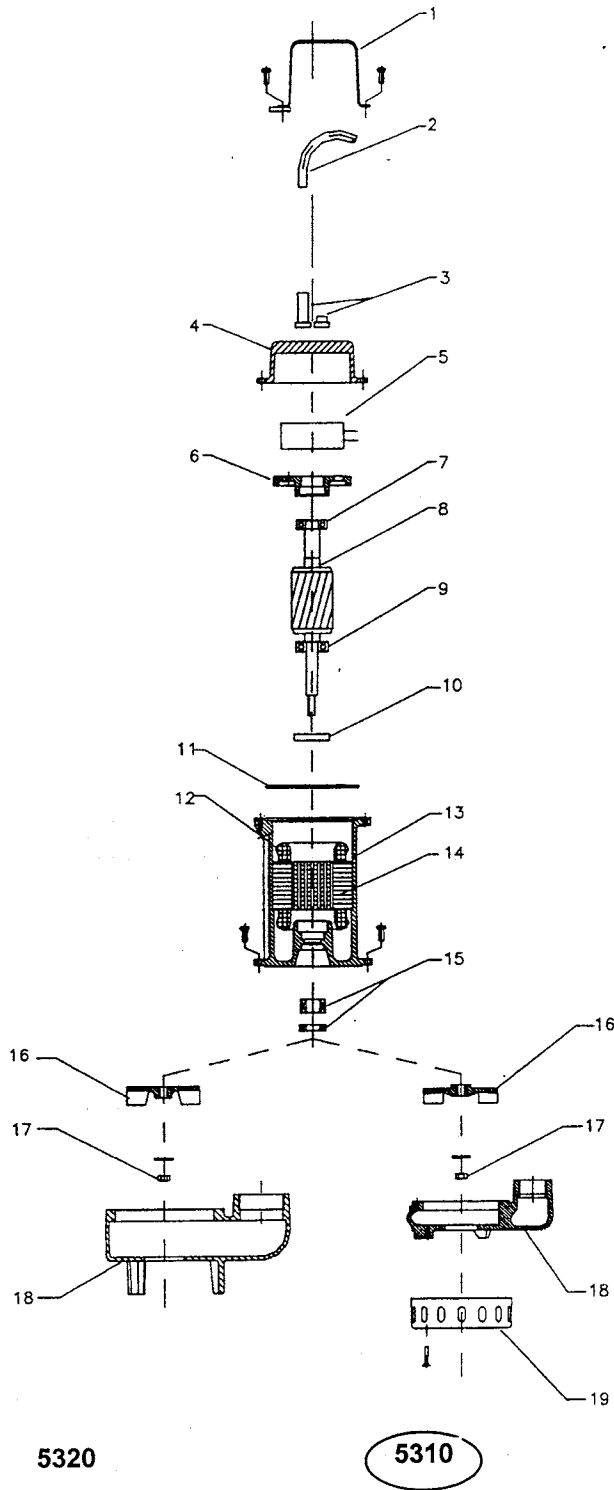


## MODEL 5310-75 SUMP PUMP EXPLODED VIEW



DESCRIPTION	PART NO.
1. HANDLE	
2. CABLE	
3. RUBBER GASKET	
4. MOTOR COVER	
5. CAPACITOR	
6. UPPER BEARING HOLDER	
7. UPPER BALL BEARING	
8. SHAFT WITH ROTOR	442003-027
9. LOWER BALL BEARING	
10. LIP SEAL	442003-011
11. O-RING	
12. WINDING	
13. MOTOR CASE	
14. STATOR - 115/1/60	442003-018
14. STATOR - 230/1/60	442003-019
15. MECHANICAL SEAL	442003-014
16. IMPELLER	442003-004
17. NUT	
18. PUMP BODY	
19. STRAINER	

**Armstrong Pumps Inc.**  
 93 East Avenue  
 Buffalo, New York  
 U.S.A. 14120-6594  
 Tel: (716) 693-8813  
 Fax: (716) 693-8970  
 Visit us at [www.armstrongpumps.com](http://www.armstrongpumps.com)

**S.A. Armstrong Limited**  
 23 Bertrand Avenue  
 Toronto, Ontario  
 Canada, M1L 2P3  
 Tel: (416) 755-2291  
 Fax: (416) 759-9101



© S. A. Armstrong Limited 2002

**Armstrong Pumps Limited**  
 Peartree Road, Stanway  
 Colchester, Essex  
 United Kingdom, CO3 0LP  
 Tel: 01206-579491  
 Fax: 01206-760532

**Armstrong Darling**  
 2200 Place Transcanadienne  
 Montreal, Quebec  
 Canada, H9P 2X5  
 Tel: (514) 421-2424  
 Fax: (514) 421-2436

