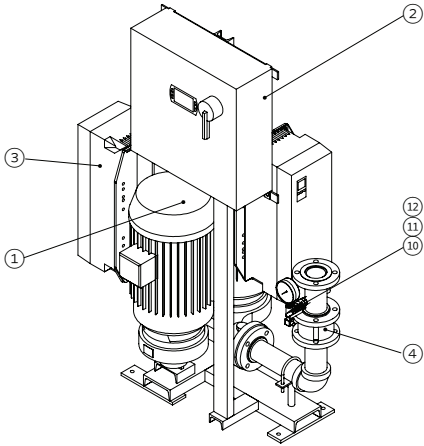


Design Envelope 6900 booster

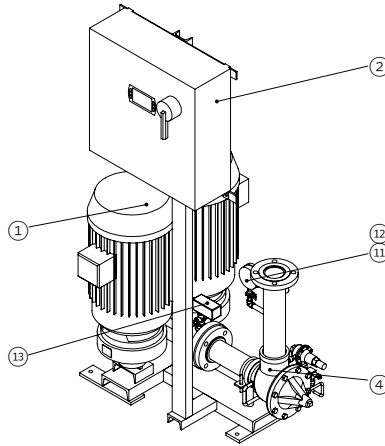
Parts list

File No: 6062.106
Date: FEBRUARY 27, 2014
Supersedes: NEW
Date: NEW

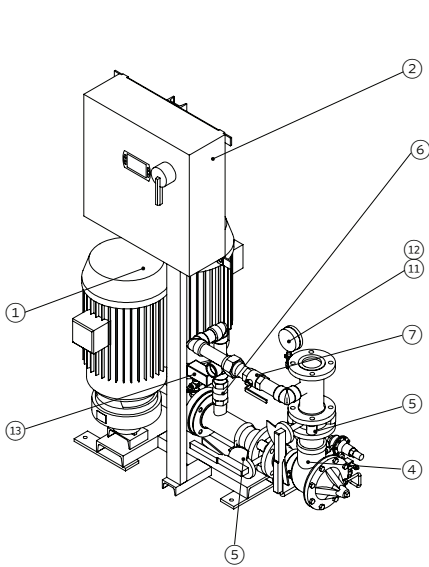
Design Envelope 6900 Booster



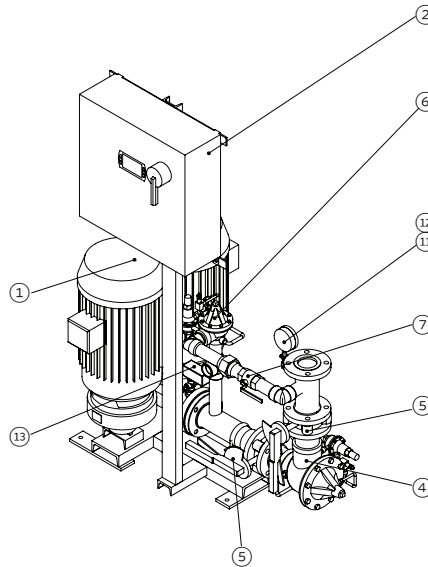
6901VS, 6902VS, 6903VS, 6904VS



6901, 6902, 6903, 6904



6911, 6912, 6913, 6914



6921, 6922, 6923, 6924

ITEM 1: PUMP

See File no. 6043D.100 for 4382 pump parts or File no. 6043D.110 for 4302 pump parts

6900 SERIES BOOSTER MODEL	PART NUMBER	QTY PER BOOSTER
6901	4382 3×3×6	1
6902	4382 3×3×8	1
6903	4302 3×3×6	1
6904	4302 3×3×8	1
6911	4382 3×3×6	1
6912	4382 3×3×8	1
6913	4302 3×3×6	1
6914	4302 3×3×8	1
6921	4382 3×3×6	1
6922	4382 3×3×8	1
6923	4302 3×3×6	1
6924	4302 3×3×8	1

ITEM 2: CONTROL PANEL

Please contact Armstrong service department with unit serial number for replacement control panel.

ITEM 3: IVS DRIVE

See File no. 6094.100 for ivs drive parts

*ivs systems only.

ITEM 4: MAIN CHECK VALVE / MAIN PRV

VALVE SIZE	CHECK VALVE PART NUMBER*	PRV PART NUMBER†	FLOWTREX PART NUMBER Δ	QTY PER BOOSTER
1.5"	D975040-506	D975030-006	-	1
2"	D975040-507	D975030-007	-	1
2.5"	D975041-108	D975030-008	-	1
3"	D975041-109	D975030-009	570200LF-387	1
4"	-	-	570200LF-388	1

* 1,5" and 2" are female NPT, 2,5" and 3" are wafer type.

† All sizes are female NPT.

Δ DE 6900 only

4

ITEM 5: MAIN ISOLATION VALVE*

VALVE SIZE	PART NUMBER	QTY PER BOOSTER
1.5"	D975000-006	2
2"	D975000-007	2
2.5"	D975000-008	2
3"	D975000-009	2

* Check valve isolation not provided on 6901-6904.

ITEM 6: BYPASS CHECK VALVE / MAIN PRV

VALVE SIZE	CHECK VALVE PART NUMBER*	PRV PART NUMBER*	QTY PER BOOSTER
1.5"	D975040-506	D975030-006	1

* Female NPT.

ITEM 7: BYPASS ISOLATION VALVE

VALVE SIZE	PART NUMBER*	QTY PER BOOSTER
1.5"	D975000-006	1

* Female NPT.

ITEM 8: SUCTION TRANSDUCER*

PRESSURE RANGE	PART NUMBER	QTY PER BOOSTER
0-300 PSI	D500400-202	1

* ivs systems only.

ITEM 9: SUCTION GAUGE

PRESSURE RANGE	PART NUMBER	QTY PER BOOSTER
0 to 60 PSI	975005-810	1
0 to 160 PSI	975005-811	1

ITEM 10: DISCHARGE TRANSDUCER*

PRESSURE RANGE	PART NUMBER	QTY PER BOOSTER
0 to 300 PSI	D500400-202	1
0 to 500 PSI	D500400-203	1

* ivs systems only.

ITEM 11: DISCHARGE GAUGE

PRESSURE RANGE	PART NUMBER	QTY PER BOOSTER
0 to 60 PSI	975005-810	1
0 to 160 PSI	975005-811	1
0 to 300 PSI	975005-812	1
0 to 400 PSI	975005-813	1

ITEM 12: GAUGE ASSEMBLY ISOLATION VALVE

PRESSURE RANGE	PART NUMBER*	QTY PER BOOSTER
ALL	D975000-700	2

* Female NPT.

ITEM 13: AQUASTAT†

PRESSURE RANGE	PART NUMBER	QTY PER BOOSTER
ALL	425648-001	1

† Constant speed systems only.

TORONTO
+1 416 755 2291

BUFFALO
+1 716 693 8813

BIRMINGHAM
+44 (0) 8444 145 145

MANCHESTER
+44 (0) 8444 145 145

BANGALORE
+91 (0) 80 4906 3555

SHANGHAI
+86 21 3756 6696