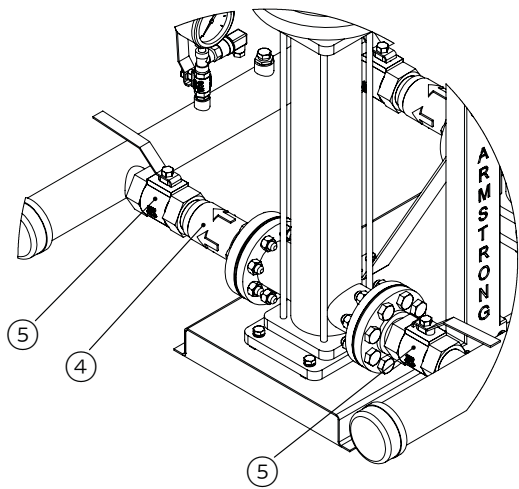
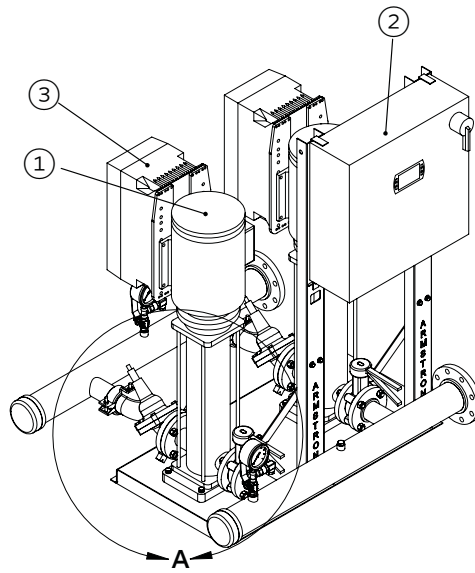
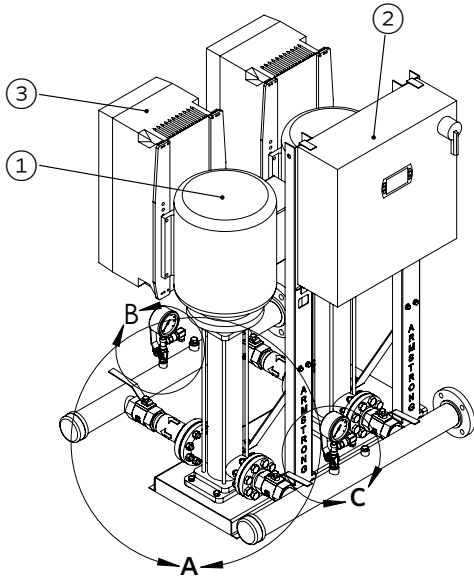


Parts list

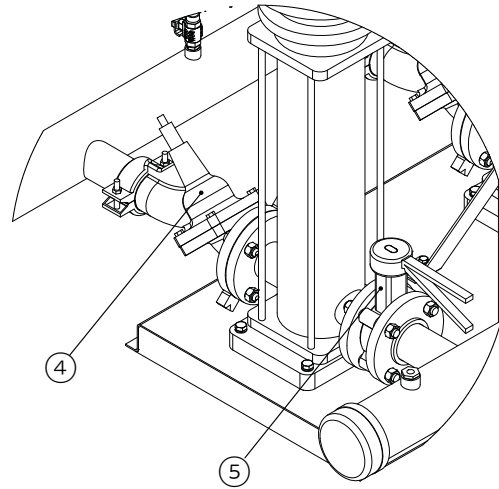
Design Envelope 6800 booster

File No: 6062.110
Date: OCTOBER 29, 2012
Supersedes: NEW
Date: NEW

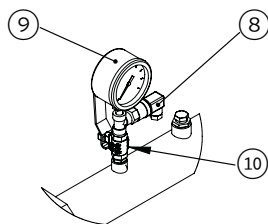
Design Envelope 6800 Booster



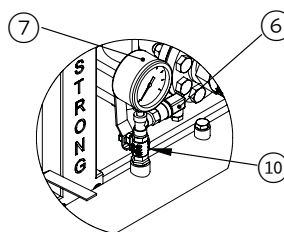
DESIGN ENVELOPE MODELS 23040-24110



ALL OTHER DESIGN ENVELOPE MODELS



DISCHARGE TRANSDUCER ASSEMBLY



SUCTION TRANSDUCER ASSEMBLY

ITEM 1: PUMP

DESIGN ENVELOPE MODEL	PART NUMBER	QTY PER BOOSTER
23040 to 23160	190100-001	2
24020 to 24110	190100-001	2
25022 to 25043	190100-002	2
25050 to 25101	190100-002	2
26021 to 26032	570526-611	2
26041 to 26072	570528-211	2
27010 to 27032	570264-611	2
27040 to 27042	570267-611	2
36050 to 36072	570528-631	3
37010 to 37032	570264-631	3
37040 to 37042	570267-631	3
46050 to 46072	570267-631	4
47010 to 47032	570267-631	4
47040 to 47042	570267-631	4
56050 to 56072	570267-631	5
57010 to 57032	570267-631	5
57040 to 57042	570267-631	5

ITEM 2: CONTROL PANEL

Please contact Armstrong service department with unit serial number for replacement control panel

ITEM 3: IVS DRIVE

Please contact Armstrong service department with unit serial number for replacement ivs drive.

4

ITEM 4: CHECK VALVE

DESIGN ENVELOPE MODEL	PART NUMBER	QTY PER BOOSTER
23040 to 24110	975014-717	2
25022 to 25043	570200LF-386	2
25050 to 25101	570200LF-386	2
26021 to 26032	570200LF-387	2
26041 to 26072	570200LF-387	2
27010 to 27032	570200LF-388	2
27040 to 27042	570200LF-388	2
36050 to 36072	570200LF-387	3
37010 to 37032	570200LF-388	3
37040 to 37042	570200LF-388	3
46050 to 46072	570200LF-387	4
47010 to 47032	570200LF-388	4
47040 to 47042	570200LF-388	4
56050 to 56072	570200LF-387	5
57010 to 57032	570200LF-388	5
57040 to 57042	570200LF-388	5

ITEM 5: ISOLATION VALVE

DESIGN ENVELOPE MODEL	PART NUMBER	QTY PER BOOSTER
23040 to 24110	938000-708	4
25022 to 25043	975013-008	2*
25050 to 25101	3500500-181	2*
26021 to 26032	975013-009	2*
26041 to 26072	3500500-182	2*
27010 to 27032	975013-010	2*
27040 to 27042	3500500-183	2*
36050 to 36072	3500500-182	3*
37010 to 37032	975013-010	3*
37040 to 37042	3500500-183	3*
46050 to 46072	3500500-182	4*
47010 to 47032	975013-010	4*
47040 to 47042	3500500-183	4*
56050 to 56072	3500500-182	5*
57010 to 57032	975013-010	5*
57040 to 57042	3500500-183	5*

*Suction side only. Check valve has an integrated isolation feature

ITEM 6: SUCTION TRANSDUCER

PRESSURE RANGE	PART NUMBER	QTY PER BOOSTER
0 to 300PSI	D500400-202	1

ITEM 7: SUCTION GAUGE

PRESSURE RANGE	PART NUMBER	QTY PER BOOSTER
0 to 60PSI	975005-810	1
0 to 160PSI	975005-811	1

ITEM 8: DISCHARGE TRANSDUCER

PRESSURE RANGE	PART NUMBER	QTY PER BOOSTER
0 to 300PSI	D500400-202	1
0 to 500PSI	D500400-203	1

ITEM 9: DISCHARGE GAUGE

PRESSURE RANGE	PART NUMBER	QTY PER BOOSTER
0 to 60PSI	975005-810	1
0 to 160PSI	975005-811	1
0 to 300PSI	975005-812	1
0 to 400PSI	975005-813	1

ITEM 10: TRANSDUCER ASSEMBLY ISOLATION VALVE

PRESSURE RANGE	PART NUMBER	QTY PER BOOSTER
ALL	D975000-700	2

TORONTO

23 BERTRAND AVENUE
TORONTO, ONTARIO
CANADA
M1L 2P3
+416 755 2291

BUFFALO

93 EAST AVENUE
NORTH TONAWANDA, NEW YORK
U.S.A.
14120-6594
+716 693 8813

BIRMINGHAM

HEYWOOD WHARF, MUCKLOW HILL
HALESOWEN, WEST MIDLANDS
UNITED KINGDOM
B62 8DJ
+44 (0) 8444 145 145

MANCHESTER

WENLOCK WAY
MANCHESTER
UNITED KINGDOM
M12 5JL
+44 (0) 8444 145 145

BANGALORE

#59, FIRST FLOOR, 3RD MAIN
MARGOSA ROAD, MALLESWARAM
BANGALORE, INDIA
560 003
+91 (0) 80 4906 3555

SHANGHAI

NO. 1619 HU HANG ROAD, XI DU TOWNSHIP
FENG XIAN DISTRICT, SHANGHAI
P.R.C.
201401
+86 21 3756 6696

ARMSTRONG INTEGRATED
ESTABLISHED 1934

ARMSTRONGINTEGRATED.COM

MAKING
ENERGY
MAKE
SENSE™