

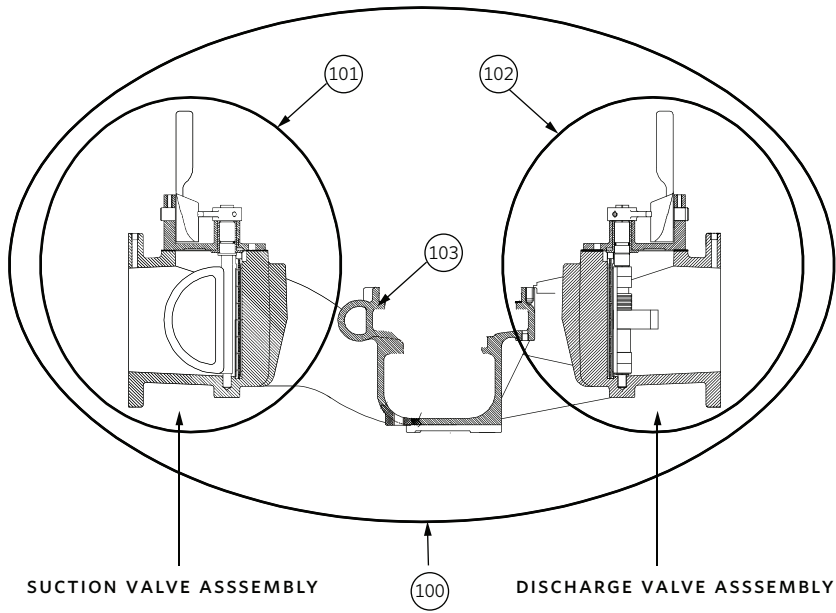
Series 4302 dualArm Vertical In-Line pumps

Parts list

File No: 6043D.100
Date: JULY 07, 2014
Supersedes: 6043D.100
Date: OCTOBER 9, 2012

Model 4302

dualArm parts



INDEX

DUALARM PUMP SIZE	PAGE
3 × 3 × 6	7
4 × 4 × 6	8
6 × 6 × 6	9
3 × 3 × 8	10
4 × 4 × 8	11
6 × 6 × 8	12
8 × 8 × 8	13
3 × 3 × 10	14
4 × 4 × 10	15
6 × 6 × 10	16
8 × 8 × 10	17

Model 4302

dualArm Vertical In-Line pump

4302 DUALARM POWER FRAMES: ALL SPEEDS

DUALARM PUMP SIZE	4300 PUMP SIZE	GROUP NO.	FRAMES								TECHNICAL DATA	
			143	182	213	254	284	324	364	404	SEAL SIZE (inch)	IMPELLER BORE (inch)
			145	184	215	256	286	326	365	405		
3 × 3 × 6	2 × 2 × 6	1	TC								1.125	0.875
3 × 3 × 6	2 × 2 × 6	2		TC							1.125	0.875
3 × 3 × 6	2 × 2 × 6	3			TC						1.125	0.875
4 × 4 × 6	3 × 3 × 6	1	TC								1.125	0.875
4 × 4 × 6	3 × 3 × 6	2		TC							1.125	0.875
4 × 4 × 6	3 × 3 × 6	3			TC						1.125	0.875
6 × 6 × 6	4 × 4 × 6W	1	TC								1.125	0.875
6 × 6 × 6	4 × 4 × 6W	2		TC							1.125	0.875
6 × 6 × 6	4 × 4 × 6W	3			TC						1.125	0.875
6 × 6 × 6	4 × 4 × 6W	4				TC					1.125	0.875
3 × 3 × 8	2 × 2 × 8	1	TC								1.125	0.875
3 × 3 × 8	2 × 2 × 8	2		TC							1.125	0.875
3 × 3 × 8	2 × 2 × 8	3			TC						1.125	0.875
3 × 3 × 8	2 × 2 × 8	4				TC					1.125	0.875
3 × 3 × 8	2 × 2 × 8	5					TSC				1.625	1.25
4 × 4 × 8	3 × 3 × 8	1	TC								1.125	0.875
4 × 4 × 8	3 × 3 × 8	2		TC							1.125	0.875
4 × 4 × 8	3 × 3 × 8	3			TC						1.125	0.875
4 × 4 × 8	3 × 3 × 8	4				TC					1.125	0.875
4 × 4 × 8	3 × 3 × 8	5					TSC				1.625	1.25
4 × 4 × 8	3 × 3 × 8	6						TSC			1.625	1.25
6 × 6 × 8	4 × 4 × 8	1	TC								1.125	0.875
6 × 6 × 8	4 × 4 × 8	2		TC							1.125	0.875
6 × 6 × 8	4 × 4 × 8	3			TC						1.125	0.875
6 × 6 × 8	4 × 4 × 8	4				TC					1.125	0.875
6 × 6 × 8	4 × 4 × 8	5					TSC				1.625	1.25
6 × 6 × 8	4 × 4 × 8	6						TSC	TSC		1.625	1.25
8 × 8 × 8	6 × 6 × 8	2		TC							1.125	0.875
8 × 8 × 8	6 × 6 × 8	3			TC						1.125	0.875
8 × 8 × 8	6 × 6 × 8	4				TC					1.125	0.875

Model 4302

dualArm Vertical In-Line pump

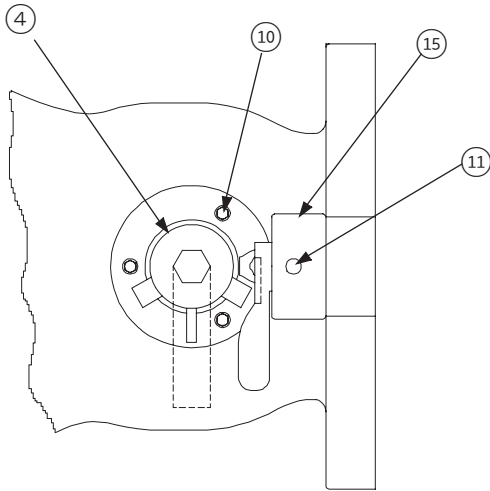
4302 DUALARM POWER FRAMES: ALL SPEEDS

DUALARM PUMP SIZE	4300 PUMP SIZE	GROUP NO.	FRAMES								TECHNICAL DATA	
			143	182	213	254	284	324	364	404	SEAL SIZE (INCH)	IMPELLER BORE (INCH)
			145	184	215	256	286	326	365	405		
3 × 3 × 10	2 × 2 × 10	1	TC								1.125	0.875
3 × 3 × 10	2 × 2 × 10	2		TC							1.125	0.875
3 × 3 × 10	2 × 2 × 10	3			TC						1.125	0.875
3 × 3 × 10	2 × 2 × 10	4				TC					1.125	0.875
3 × 3 × 10	2 × 2 × 10	5					TSC				1.625	1.25
3 × 3 × 10	2 × 2 × 10	6						TSC	TSC		1.625	1.25
4 × 4 × 10	3 × 3 × 10	1	TC								1.125	0.875
4 × 4 × 10	3 × 3 × 10	2		TC							1.125	0.875
4 × 4 × 10	3 × 3 × 10	3			TC						1.125	0.875
4 × 4 × 10	3 × 3 × 10	4				TC					1.125	0.875
4 × 4 × 10	3 × 3 × 10	5					TSC				1.625	1.25
4 × 4 × 10	3 × 3 × 10	6						TSC	TSC		1.625	1.25
6 × 6 × 10	4 × 4 × 10	2		TC							1.125	0.875
6 × 6 × 10	4 × 4 × 10	3			TC						1.125	0.875
6 × 6 × 10	4 × 4 × 10	4				TC					1.125	0.875
6 × 6 × 10	4 × 4 × 10	5					TSC				1.625	1.25
6 × 6 × 10	4 × 4 × 10	6						TSC	TSC		1.625	1.25
8 × 8 × 10	6 × 6 × 10	3			TC						1.125	0.875
8 × 8 × 10	6 × 6 × 10	4				TC					1.125	0.875
8 × 8 × 10	6 × 6 × 10	5					TSC				1.625	1.25
8 × 8 × 10	6 × 6 × 10	6						TSC	TSC		1.625	1.25

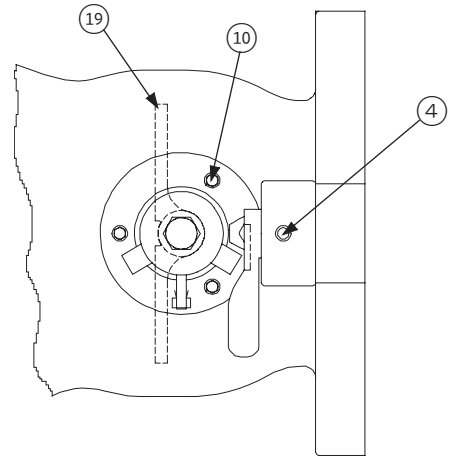
NOTE:

For 4302 pump parts see file no. 6043D.101

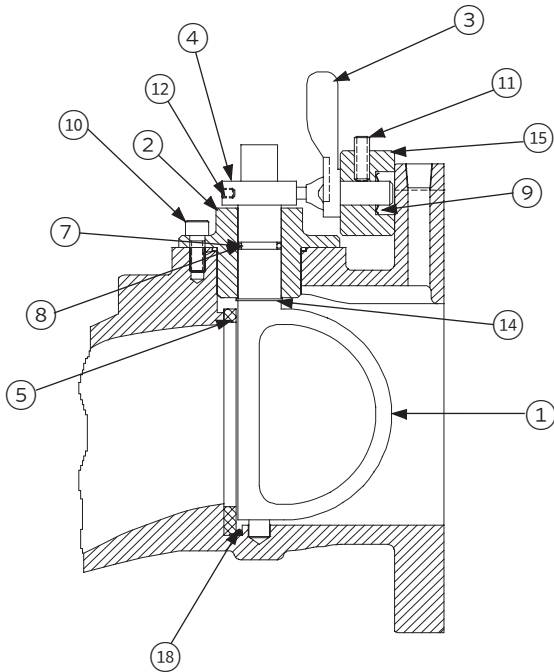
Valve Illustration (3", 4" and 6")



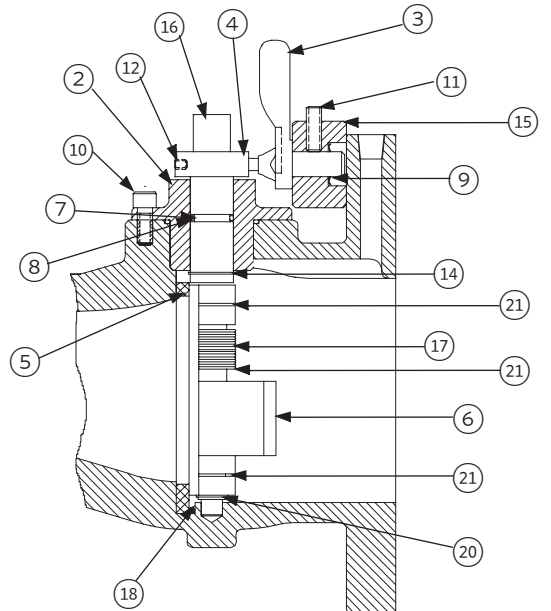
SUCTION VALVE (TOP)



DISCHARGE VALVE (TOP)

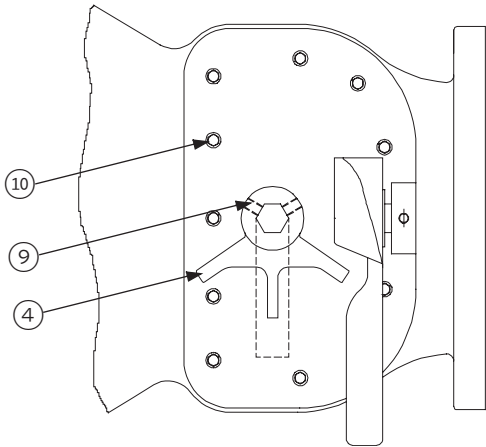


SUCTION (SIDE CUTAWAY)

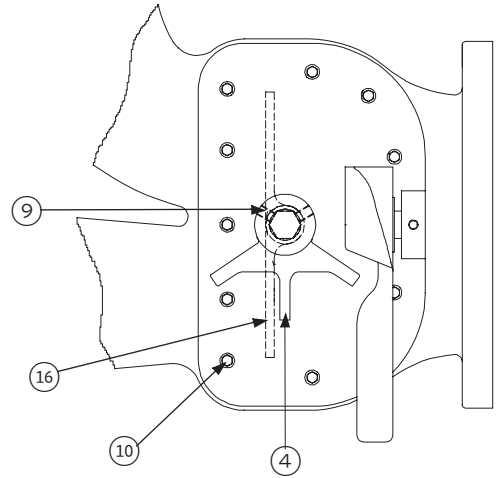


DISCHARGE (SIDE CUTAWAY)

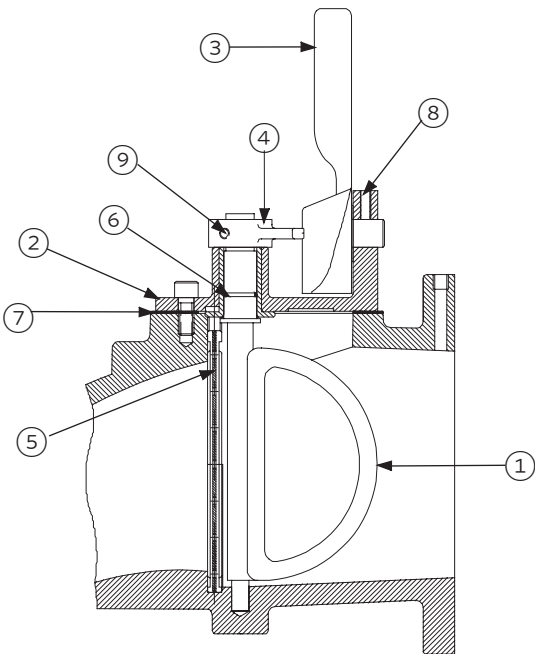
Valve Illustration (8" and 10")



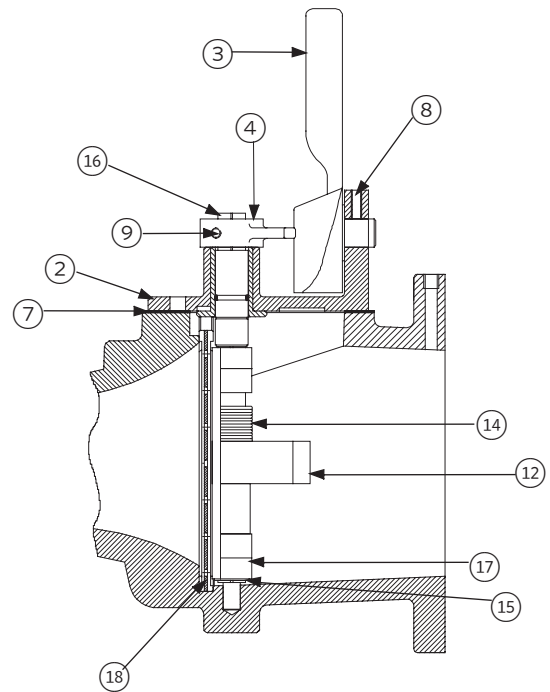
SUCTION VALVE (TOP)



DISCHARGE VALVE (TOP)



SUCTION (SIDE CUTAWAY)



DISCHARGE (SIDE CUTAWAY)

3 × 3 × 6

DUALARM PARTS

ITEM NO.	QUANTITY REQUIRED	PART DESCRIPTION	PART NUMBER
100	1	CASING ASSEMBLY COMPLETE	827351-111
101	1	SUCTION VALVE ASSEMBLY	827440-001
102	1	DISCHARGE VALVE ASSEMBLY	827441-001
103	1	CASING ONLY	827351-011

VALVE ASSEMBLY PART NUMBERS

Suction valve assembly 827440-001 consists of items listed below.

ITEM NO.	DESCRIPTION	PART NUMBER
1	FLAPPER	427405-071
2	GLAND PLATE	427432-000
3	LOCK HANDLE	427414-075
4	LOCKING ARM	427424-571
5	VALVE SEAT	428493-003
7	O-RING	961131-113
8	O-RING	961111-125
9	PUSH ON	923612-021
10	SOCKET HEAD CAPSCREW	911819-103
11	SETSCREW	916519-612
12	SETSCREW	916517-506
14	RETAINING RING	923104-425
18	RETAINING RING	427396-000
NOT SHOWN	INSERT	916900-051
NOT SHOWN	CAPSCREW	916911-408

Discharge valve assembly 827441-001 consists of items listed below.

ITEM NO.	DESCRIPTION	PART NUMBER
2	GLAND PLATE	427432-000
3	LOCK HANDLE	427414-075
4	LOCKING ARM	427424-571
5	VALVE SEAT	428493-003
7	O-RING	961131-113
8	O-RING	961111-125
9	PUSH ON	923612-021
10	SOCKET HEAD CAPSCREW	911819-103
11	SETSCREW	916519-612
12	SETSCREW	916517-506
14	RETAINING RING	923104-425
15	CAST BLOCK	427415-070
16	SHAFT	427418-000
17	TORSION SPRING	975004-900
18	RETAINING RING	427396-000
19	CAST FLAPPER	427404-070
20	RETAINING RING	923104-417
21	NYLON WASHER	927900-004
NOT SHOWN	INSERT	916900-051
NOT SHOWN	CAPSCREW	916911-408

4 × 4 × 6

DUALARM PARTS

ITEM NO.	QUANTITY REQUIRED	PART DESCRIPTION	PART NUMBER
100	1	CASING ASSEMBLY COMPLETE	827355-111
101	1	SUCTION VALVE ASSEMBLY	827440-002
102	1	DISCHARGE VALVE ASSEMBLY	827441-002
103	1	CASING ONLY	827355-011

VALVE ASSEMBLY PART NUMBERS

Suction valve assembly 827440-002 consists of items listed below.

ITEM NO.	DESCRIPTION	PART NUMBER
1	FLAPPER	427408-071
2	GLAND PLATE	427435-000
3	LOCK HANDLE	427414-075
4	LOCKING ARM	427427-571
5	VALVE SEAT	427392-000
7	O-RING	961131-115
8	O-RING	961111-131
9	PUSH ON	923612-021
10	SOCKET HEAD CAPSCREW	911819-105
11	SETSCREW	916519-612
12	SETSCREW	916517-506
14	RETAINING RING	923104-400
15	LOCK ADAPTER	427422-101
18	RETAINING RING	427400-000
NOT SHOWN	INSERT	916900-051
NOT SHOWN	CAPSCREW	911819-116
NOT SHOWN	CAPSCREW	916911-408

Discharge valve assembly 827441-002 consists of items listed below.

ITEM NO.	DESCRIPTION	PART NUMBER
2	GLAND PLATE	427435-000
3	LOCK HANDLE	427414-075
4	LOCKING ARM	427427-571
5	VALVE SEAT	427392-000
6	CAST BLOCK	427416-070
7	O-RING	961131-115
8	O-RING	961111-131
9	PUSH ON	923612-021
10	SOCKET HEAD CAPSCREW	911819-105
11	SETSCREW	916519-612
12	SETSCREW	916517-506
14	RETAINING RING	923104-420
15	ADAPTER	427422-101
16	SHAFT	427419-000
17	TORSION SPRING	975004-901
18	RETAINING RING	427400-000
19	CAST FLAPPER	427410-070
20	RETAINING RING	923104-400
21	NYLON WASHER	927900-003
NOT SHOWN	INSERT	916900-051
NOT SHOWN	CAPSCREW	911819-110
NOT SHOWN	CAPSCREW	916911-408

6 x 6 x 6

DUALARM PARTS

ITEM NO.	QUANTITY REQUIRED	PART DESCRIPTION	PART NUMBER
100	1	CASING ASSEMBLY COMPLETE	827359-111
101	1	SUCTION VALVE ASSEMBLY	827440-003
102	1	DISCHARGE VALVE ASSEMBLY	827441-003
103	1	CASING ONLY	827359-011

VALVE ASSEMBLY PART NUMBERS

Suction valve assembly 827440-003 consists of items listed below.

ITEM NO.	DESCRIPTION	PART NUMBER
1	FLAPPER	427411-071
2	GLAND PLATE	427438-000
3	LOCK HANDLE	427414-075
4	LOCKING ARM	427430-571
5	VALVE SEAT	427394-000
7	O-RING	961131-118
8	O-RING	961111-131
9	PUSH ON	923612-021
10	SOCKET HEAD CAPSCREW	911819-105
11	SETSCREW	916519-612
12	SETSCREW	916517-506
14	RETAINING RING	923104-433
15	LOCK ADAPTER	427422-101
18	RETAINING RING	427400-000
NOT SHOWN	INSERT	916900-051
NOT SHOWN	CAPSCREW	911819-116
NOT SHOWN	CAPSCREW	916911-408

Discharge valve assembly 827441-003 consists of items listed below.

ITEM NO.	DESCRIPTION	PART NUMBER
2	GLAND PLATE	427438-000
3	LOCK HANDLE	427414-075
4	LOCKING ARM	427430-571
5	VALVE SEAT	427394-000
6	LOCK ADAPTER	427422-101
7	O-RING	961131-118
8	O-RING	961111-131
9	PUSH ON	923612-021
10	SOCKET HEAD CAPSCREW	911819-105
11	SETSCREW	916519-612
12	SETSCREW	916517-506
14	RETAINING RING	923104-424
15	CAST BLOCK	427417-070
16	SHAFT	427420-000
17	TORSION SPRING	975004-902
18	RETAINING RING	427400-000
19	CAST FLAPPER	427413-070
20	RETAINING RING	923104-433
21	NYLON WASHER	NOT USED
NOT SHOWN	INSERT	916900-051
NOT SHOWN	CAPSCREW	911819-116
NOT SHOWN	CAPSCREW	916911-408

PARTS LIST

10

3 × 3 × 8

DUALARM PARTS

ITEM NO.	QUANTITY REQUIRED	PART DESCRIPTION	PART NUMBER
100	1	CASING ASSEMBLY COMPLETE	827363-111
101	1	SUCTION VALVE ASSEMBLY	827440-001
102	1	DISCHARGE VALVE ASSEMBLY	827441-001
103	1	CASING ONLY	827363-011

VALVE ASSEMBLY PART NUMBERS

Suction valve assembly 827440-001 consists of items listed below.

Discharge valve assembly 827441-001 consists of items listed below.

ITEM NO.	DESCRIPTION	PART NUMBER
1	FLAPPER	427405-071
2	GLAND PLATE	427432-000
3	LOCK HANDLE	427414-075
4	LOCKING ARM	427424-571
5	VALVE SEAT	428493-003
7	O-RING	961131-113
8	O-RING	961111-125
9	PUSH ON	923612-021
10	SOCKET HEAD CAPSCREW	911819-103
11	SETSCREW	916519-612
12	SETSCREW	916517-506
14	RETAINING RING	923104-425
18	RETAINING RING	427396-000
NOT SHOWN	INSERT	916900-051
NOT SHOWN	CAPSCREW	916911-408

ITEM NO.	DESCRIPTION	PART NUMBER
2	GLAND PLATE	427432-000
3	LOCK HANDLE	427414-075
4	LOCKING ARM	427424-571
5	VALVE SEAT	428493-003
7	O-RING	961131-113
8	O-RING	961111-125
9	PUSH ON	923612-021
10	SOCKET HEAD CAPSCREW	911819-103
11	SETSCREW	916519-612
12	SETSCREW	916517-506
14	RETAINING RING	923104-425
15	CAST BLOCK	427415-070
16	SHAFT	427418-000
17	TORSION SPRING	975004-900
18	RETAINING RING	427396-000
19	CAST FLAPPER	427407-070
20	RETAINING RING	923104-417
21	NYLON WASHER	927900-005
NOT SHOWN	INSERT	916900-051
NOT SHOWN	CAPSCREW	916911-408

4 × 4 × 8

DUALARM PARTS

ITEM NO.	QUANTITY REQUIRED	PART DESCRIPTION	PART NUMBER
100	1	CASING ASSEMBLY COMPLETE	827367-111
101	1	SUCTION VALVE ASSEMBLY	827440-002
102	1	DISCHARGE VALVE ASSEMBLY	827441-002
103	1	CASING ONLY	827367-011

VALVE ASSEMBLY PART NUMBERS

Suction valve assembly 827440-002 consists of items listed below.

ITEM NO.	DESCRIPTION	PART NUMBER
1	FLAPPER	427408-071
2	GLAND PLATE	427435-000
3	LOCK HANDLE	427414-075
4	LOCKING ARM	427427-571
5	VALVE SEAT	428493-004
7	O-RING	961131-115
8	O-RING	961111-131
9	PUSH ON	923612-021
10	SOCKET HEAD CAPSCREW	911819-105
11	SETSCREW	916519-612
12	SETSCREW	916517-506
14	RETAINING RING	923104-400
15	LOCK ADAPTER	427422-101
18	RETAINING RING	427398-000
NOT SHOWN	INSERT	916900-051
NOT SHOWN	CAPSCREW	911819-116
NOT SHOWN	CAPSCREW	916911-408

Discharge valve assembly 827441-002 consists of items listed below.

ITEM NO.	DESCRIPTION	PART NUMBER
2	GLAND PLATE	427435-000
3	LOCK HANDLE	427414-075
4	LOCKING ARM	427427-571
5	VALVE SEAT	428493-004
6	CAST BLOCK	427416-070
7	O-RING	961131-115
8	O-RING	961111-131
9	PUSH ON	923612-021
10	SOCKET HEAD CAPSCREW	911819-105
11	SETSCREW	916519-612
12	SETSCREW	916517-506
14	RETAINING RING	923104-420
15	ADAPTER	427422-101
16	SHAFT	427419-000
17	TORSION SPRING	975004-901
18	RETAINING RING	427398-000
19	CAST FLAPPER	427410-070
20	RETAINING RING	923104-400
21	NYLON WASHER	927900-003
NOT SHOWN	INSERT	916900-051
NOT SHOWN	CAPSCREW	911819-110
NOT SHOWN	CAPSCREW	916911-408

6 x 6 x 8

DUALARM PARTS

ITEM NO.	QUANTITY REQUIRED	PART DESCRIPTION	PART NUMBER
100	1	CASING ASSEMBLY COMPLETE	827371-111
101	1	SUCTION VALVE ASSEMBLY	827440-003
102	1	DISCHARGE VALVE ASSEMBLY	827441-003
103	1	CASING ONLY	827371-011

VALVE ASSEMBLY PART NUMBERS

Suction valve assembly 827440-003 consists of items listed below.

Discharge valve assembly 827441-003 consists of items listed below.

ITEM NO.	DESCRIPTION	PART NUMBER
1	FLAPPER	427411-071
2	GLAND PLATE	427438-000
3	LOCK HANDLE	427414-075
4	LOCKING ARM	427430-571
5	VALVE SEAT	427394-000
7	O-RING	961131-118
8	O-RING	961111-131
9	PUSH ON	923612-021
10	SOCKET HEAD CAPSCREW	911819-105
11	SETSCREW	916519-612
12	SETSCREW	916517-506
14	RETAINING RING	923104-433
15	LOCK ADAPTER	427422-101
18	RETAINING RING	427400-000
NOT SHOWN	INSERT	916900-051
NOT SHOWN	CAPSCREW	911819-116
NOT SHOWN	CAPSCREW	916911-408

ITEM NO.	DESCRIPTION	PART NUMBER
2	GLAND PLATE	427438-000
3	LOCK HANDLE	427414-075
4	LOCKING ARM	427430-571
5	VALVE SEAT	427394-000
6	LOCK ADAPTER	427422-101
7	O-RING	961131-118
8	O-RING	961111-131
9	PUSH ON	923612-021
10	SOCKET HEAD CAPSCREW	911819-105
11	SETSCREW	916519-612
12	SETSCREW	916517-506
14	RETAINING RING	923104-424
15	CAST BLOCK	427417-070
16	SHAFT	427420-000
17	TORSION SPRING	975004-902
18	RETAINING RING	427400-000
19	CAST FLAPPER	427413-070
20	RETAINING RING	923104-433
21	NYLON WASHER	NOT USED
NOT SHOWN	INSERT	916900-051
NOT SHOWN	CAPSCREW	911819-116
NOT SHOWN	CAPSCREW	916911-408

8 x 8 x 8

DUALARM PARTS

ITEM NO.	QUANTITY REQUIRED	PART DESCRIPTION	PART NUMBER
100	1	CASING ASSEMBLY COMPLETE	827381-111
101	1	SUCTION VALVE ASSEMBLY	827440-004
102	1	DISCHARGE VALVE ASSEMBLY	827441-004
103	1	CASING ONLY	827381-011

VALVE ASSEMBLY PART NUMBERS

Suction valve assembly 827440-004 consists of items listed below.

ITEM NO.	DESCRIPTION	PART NUMBER
1	FLAPPER	427481-041
2	GLAND PLATE ASSEMBLY	427480-013
3	LOCK HANDLE	427483-031
4	LOCKING ARM	427484-071
5	VALVE SEAT	427485-000
6	O-RING	961131-120
7	GASKET	427486-000
8	SETSCREW	916521-120
9	SETSCREW	916521-110
10	CAPCREW	911125-108
NOT SHOWN	PUSH ON	923612-113
NOT USED	RETAINING RING	923104-435

Discharge valve assembly 827441-004 consists of items listed below.

ITEM NO.	DESCRIPTION	PART NUMBER
2	GLAND PLATE ASSEMBLY	427480-013
3	LOCK HANDLE	427483-031
4	LOCKING ARM	427484-071
5	VALVE SEAT	427485-000
6	O-RING	961131-120
7	GASKET	427486-000
8	SETSCREW	916521-120
9	SETSCREW	916521-110
10	CAPCREW	911125-108
NOT SHOWN	PUSH ON	923612-113
12	FLAPPER BLOCK	427488-031
13	SHAFT	427489-000
14	SPRING	975004-903
15	RETAINING RING	923104-433
16	FLAPPER	427487-041
17	SPACER BLOCK	427490-000
18	RETAINING RING	923104-435

3 × 3 × 10

DUALARM PARTS

ITEM NO.	QUANTITY REQUIRED	PART DESCRIPTION	PART NUMBER
100	1	CASING ASSEMBLY COMPLETE	827365-111
101	1	SUCTION VALVE ASSEMBLY	827440-001
102	1	DISCHARGE VALVE ASSEMBLY	827441-001
103	1	CASING ONLY	827365-011

VALVE ASSEMBLY PART NUMBERS

Suction valve assembly 827440-001 consists of items listed below.

ITEM NO.	DESCRIPTION	PART NUMBER
1	FLAPPER	427405-071
2	GLAND PLATE	427432-000
3	LOCK HANDLE	427414-075
4	LOCKING ARM	427424-571
5	VALVE SEAT	428493-003
7	O-RING	961131-113
8	O-RING	961111-125
9	PUSH ON	923612-021
10	SOCKET HEAD CAPSCREW	911819-103
11	SETSCREW	916519-612
12	SETSCREW	916517-506
14	RETAINING RING	923104-425
18	RETAINING RING	427396-000
NOT SHOWN	INSERT	916900-051
NOT SHOWN	CAPSCREW	916911-408

Discharge valve assembly 827441-001 consists of items listed below.

ITEM NO.	DESCRIPTION	PART NUMBER
2	GLAND PLATE	427432-000
3	LOCK HANDLE	427414-075
4	LOCKING ARM	427424-571
5	VALVE SEAT	428493-003
7	O-RING	961131-113
8	O-RING	961111-125
9	PUSH ON	923612-021
10	SOCKET HEAD CAPSCREW	911819-103
11	SETSCREW	916519-612
12	SETSCREW	916517-506
14	RETAINING RING	923104-425
15	CAST BLOCK	427415-070
16	SHAFT	427418-000
17	TORSION SPRING	975004-900
18	RETAINING RING	427396-000
19	CAST FLAPPER	427404-070
20	RETAINING RING	923104-417
21	NYLON WASHER	927900-004
NOT SHOWN	INSERT	916900-051
NOT SHOWN	CAPSCREW	916911-408

4 × 4 × 10

DUALARM PARTS

ITEM NO.	QUANTITY REQUIRED	PART DESCRIPTION	PART NUMBER
100	1	CASING ASSEMBLY COMPLETE	827377-111
101	1	SUCTION VALVE ASSEMBLY	827440-002
102	1	DISCHARGE VALVE ASSEMBLY	827441-002
103	1	CASING ONLY	827377-011

VALVE ASSEMBLY PART NUMBERS

Suction valve assembly 827440-002 consists of items listed below.

ITEM NO.	DESCRIPTION	PART NUMBER
1	FLAPPER	427408-071
2	GLAND PLATE	427435-000
3	LOCK HANDLE	427414-075
4	LOCKING ARM	427427-571
5	VALVE SEAT	427392-000
7	O-RING	961131-115
8	O-RING	961111-131
9	PUSH ON	923612-021
10	SOCKET HEAD CAPSCREW	911819-105
11	SETSCREW	916519-612
12	SETSCREW	916517-506
14	RETAINING RING	923104-400
15	LOCK ADAPTER	427422-101
18	RETAINING RING	427400-000
NOT SHOWN	INSERT	916900-051
NOT SHOWN	CAPSCREW	911819-116
NOT SHOWN	CAPSCREW	916911-408

Discharge valve assembly 827441-002 consists of items listed below.

ITEM NO.	DESCRIPTION	PART NUMBER
2	GLAND PLATE	427435-000
3	LOCK HANDLE	427414-075
4	LOCKING ARM	427427-571
5	VALVE SEAT	427392-000
6	CAST BLOCK	427416-070
7	O-RING	961131-115
8	O-RING	961111-131
9	PUSH ON	923612-021
10	SOCKET HEAD CAPSCREW	911819-105
11	SETSCREW	916519-612
12	SETSCREW	916517-506
14	RETAINING RING	923104-420
15	ADPTER	427422-101
16	SHAFT	427419-000
17	TORSION SPRING	975004-901
18	RETAINING RING	427400-000
19	CAST FLAPPER	427410-070
20	RETAINING RING	923104-400
21	NYLON WASHER	927900-003
NOT SHOWN	INSERT	916900-051
NOT SHOWN	CAPSCREW	911819-110
NOT SHOWN	CAPSCREW	916911-408

6 x 6 x 10

DUALARM PARTS

ITEM NO.	QUANTITY REQUIRED	PART DESCRIPTION	PART NUMBER
100	1	CASING ASSEMBLY COMPLETE	827379-111
101	1	SUCTION VALVE ASSEMBLY	827440-003
102	1	DISCHARGE VALVE ASSEMBLY	827441-003
103	1	CASING ONLY	827378-011

VALVE ASSEMBLY PART NUMBERS

Suction valve assembly 827440-003 consists of items listed below.

ITEM NO.	DESCRIPTION	PART NUMBER
1	FLAPPER	427411-071
2	GLAND PLATE	427438-000
3	LOCK HANDLE	427414-075
4	LOCKING ARM	427430-571
5	VALVE SEAT	427394-000
7	O-RING	961131-118
8	O-RING	961111-131
9	PUSH ON	923612-021
10	SOCKET HEAD CAPSCREW	911819-105
11	SETSCREW	916519-612
12	SETSCREW	916517-506
14	RETAINING RING	923104-433
15	LOCK ADAPTER	427422-101
18	RETAINING RING	427400-000
NOT SHOWN	INSERT	916900-051
NOT SHOWN	CAPSCREW	911819-116
NOT SHOWN	CAPSCREW	916911-408

Discharge valve assembly 827441-003 consists of items listed below.

ITEM NO.	DESCRIPTION	PART NUMBER
2	GLAND PLATE	427438-000
3	LOCK HANDLE	427414-075
4	LOCKING ARM	427430-571
5	VALVE SEAT	427394-000
6	LOCK ADAPTER	427422-101
7	O-RING	961131-118
8	O-RING	961111-131
9	PUSH ON	923612-021
10	SOCKET HEAD CAPSCREW	911819-105
11	SETSCREW	916519-612
12	SETSCREW	916517-506
14	RETAINING RING	923104-424
15	CAST BLOCK	427417-070
16	SHAFT	427420-000
17	TORSION SPRING	975004-902
18	RETAINING RING	427400-000
19	CAST FLAPPER	427413-070
20	RETAINING RING	923104-433
21	NYLON WASHER	NOT USED
NOT SHOWN	INSERT	916900-051
NOT SHOWN	CAPSCREW	911819-116
NOT SHOWN	CAPSCREW	916911-408

8 x 8 x 10

DUALARM PARTS

ITEM NO.	QUANTITY REQUIRED	PART DESCRIPTION	PART NUMBER
100	1	CASING ASSEMBLY COMPLETE	827375-111
101	1	SUCTION VALVE ASSEMBLY	827440-004
102	1	DISCHARGE VALVE ASSEMBLY	827441-004
103	1	CASING ONLY	827375-011

VALVE ASSEMBLY PART NUMBERS

Suction valve assembly 827440-004 consists of items listed below.

ITEM NO.	DESCRIPTION	PART NUMBER
1	FLAPPER	427481-041
2	GLAND PLATE ASSEMBLY	427480-013
3	LOCK HANDLE	427483-031
4	LOCKING ARM	427484-071
5	VALVE SEAT	427485-000
6	O-RING	961131-120
7	GASKET	427486-000
8	SETSCREW	916521-120
9	SETSCREW	916521-110
10	CAPCREW	911125-108
NOT SHOWN	PUSH ON	923612-113
NOT USED	RETAINING RING	923104-435

Discharge valve assembly 827441-004 consists of items listed below.

ITEM NO.	DESCRIPTION	PART NUMBER
2	GLAND PLATE ASSEMBLY	427480-013
3	LOCK HANDLE	427483-031
4	LOCKING ARM	427484-071
5	VALVE SEAT	427485-000
6	O-RING	961131-120
7	GASKET	427486-000
8	SETSCREW	916521-120
9	SETSCREW	916521-110
10	CAPCREW	911125-108
NOT SHOWN	PUSH ON	923612-113
12	FLAPPER BLOCK	427488-031
13	SHAFT	427489-000
14	SPRING	975004-903
15	RETAINING RING	923104-433
16	FLAPPER	427487-041
17	SPACER BLOCK	427490-000
18	RETAINING RING	923104-435

TORONTO

23 BERTRAND AVENUE
TORONTO, ONTARIO
CANADA
M1L 2P3
+1 416 755 2291

BUFFALO

93 EAST AVENUE
NORTH TONAWANDA, NEW YORK
U.S.A.
14120-6594
+1 716 693 8813

BIRMINGHAM

HEYWOOD WHARF, MUCKLOW HILL
HALESOWEN, WEST MIDLANDS
UNITED KINGDOM
B62 8DJ
+44 (0) 8444 145 145

MANCHESTER

WOLVERTON STREET
MANCHESTER
UNITED KINGDOM
M11 2ET
+44 (0) 8444 145 145

BANGALORE

#59, FIRST FLOOR, 3RD MAIN
MARGOSA ROAD, MALLESWARAM
BANGALORE, INDIA
560 003
+91 (0) 80 4906 3555

SHANGHAI

NO. 1619 HU HANG ROAD, XI DU TOWNSHIP
FENG XIAN DISTRICT, SHANGHAI
P.R.C.
201401
+86 21 3756 6696

**MAKING
ENERGY
MAKE
SENSE™**