

ARMSTRONG®

FILE NO.:	6040.220
DATE:	June 1, 1996
SUPERSEDES:	New
DATE:	New

BASE MOUNTED PUMP

PARTS LIST

SERIES 4020

(Old Universal)

TANGENTIAL DISCHARGE

OLD DESIGN

NEMA FRAME ASSIGNMENTS

OPEN & TEFC (TEFC FRAMES IN GREY BOX WHERE DIFFERENT THAN OPEN)

NEMA FRAME PROGRAM HP	3600 RPM						1800 RPM			1200 RPM			900 RPM					
	"T"		"U"	ORIGINAL		"T"	"U"	ORIGINAL	"T"	"U"	ORIGINAL	"T"	"U"	ORIGINAL				
	FRAMES		FRAMES	NEMA		FRAMES	FRAMES	NEMA	FRAMES	FRAMES	NEMA	FRAMES	FRAMES	NEMA				
	1964		1952	FRAMES		1964	1952	FRAMES	1964	1952	FRAMES	1964	1952	FRAMES				
1	-		-	-		143T	182	203	145T	184	204	182T	213	225				
1 1/2	143T		182	203		145T	184	204	182T	184	224	184T	213	254				
2	145T		184	204		145T	184	224	184T	213	225	213T	215	254				
3	145T	182T	184	224		182T	213	225	213T	215	254	215T	254U	284				
5	182T	184T	213	225		184	215	254	215T	254U	284	254T	256U	324				
7 1/2	184T	213T	215	254		213T	254U	284	254T	256U	324	256T	284U	326				
10	213T	215T	254U	284		215T	256U	324	256T	284	326	284T	286U	364				
15	215T	254T	256U	324		254T	284T	326	284T	234T	364	286T	326U	365				
20	254T	256T	284U	286U	326		256T	286U	364	286T	326U	365	324T	364U	404			
25	256T	284TS	286U	324U	364S	365S	284T	324U	364	365	324T	364U	404	326T	365U	405		
30	284TS	286TS	324S	326S	364S	404S	286T	326U	365	404	326T	365U	405	364T	404U	444		
40	286TS	324TS	326S	364US	365S	405S	324T	364U	404	405	364T	404U	444	365T	405U	445		
50	324TS	326TS	364US	404S	444S	326T	365US	405S	444S	365T	405U	445	404T	444U	504U			
60	326TS	364TS	365US	405US	405S	445S	364TS	404US	405US	444S	445S	404T	444U	504U	405T	445U	505	
75	364TS	365TS	404US	444US	444S	504S	365TS	405US	444US	445S	504S	405T	445U	505	444T	-	-	
100	365TS	405TS	405US	445US	445S	505S	404TS	405TS	444US	445US	504S	505S	444T	-	-	445T	-	-
125	404TS	444TS	444US	504US	405TS	444TS	445US	505S	445T	-	-	-	-	-	-	-	-	-
150	405TS	445TS	445US	505S	444TS	445TS	-	-	-	-	-	-	-	-	-	-	-	-
200	444TS	-	-	-	445TS	-	-	-	-	-	-	-	-	-	-	-	-	-
250	445TS	-	-	-	-	-	-	-	-	-	-	-	-	-	-	-	-	-

ARMSTRONG

OLD STYLE TANGENTIAL PUMPS CATALOG DESIGNATIONS

"JUNIOR " BEARING FRAME ASSEMBLY

CUSTOM SIZES								
FORMERLY	1524	3/4 AAB		1 AAB	1 1/4 AAB		1 1/2AAB	
NEW DESIG.	4000	3/4 B		1B	1 1/4B		1 1/2B	
STOCK SIZES								
CUSTOM SIZES		3/4 AAB		1 AAB	1 1/4 AAB		1 1/2AAB	
FORMERLY	JR. UNIVERSAL	JU-10	JU-12	-	JU-14	JU-16	JU-18	JU-20
NEW DESIG.	4000	B-80	B-82	-	B-84	B-86	B-88	B-90

"SMALL " AND "MEDIUM" BEARING FRAME PUMPS

CUSTOM SIZES																			
FORMERLY	1510	1 1/4AB	1 1/2AB	2AB	2 1/2A	3A	4AB	1 1/4BB	1 1/2BB	2BB	2 1/2B	3BB	4BB	5BB	6BB	2G	3G	4G	6G
NEW DESIG.	4030	1 1/4D	1 1/2D	2D	2 1/2D	3D	4D	1 1/4E	1 1/2E	2E	2 1/2E	3E	4E	5E	6E	2C	3C	4C	6C
STOCK SIZES (See 4020 Parts List Item 102 Impeller (Stock Sizes) For Impeller Diameters)																			
CUSTOM SIZES		1 1/4D	1 1/2D	2D	2 1/2D	3D	4D	1 1/4E	1 1/2E	2E	2 1/2E	3E	4E	5E					
FORMERLY	UNIVERSAL	-	-	-	U1			-	-	-	U5	-		U8					
		-	-	-	U2	U4	U6	-	-	-	U7	-	U11	U10					
		-	-	-	U3			-	-	-	U9	-		U12					
NEW DESIG.	4020	-	-	-	D141			-	-	-	E145	-		E148					
		-	-	-	D142	D144	D146	-	-	-	E147	-	E151	E150					
		-	-	-	D143			-	-	-	E149	-		E152					

4020 BEARING FRAMES SIZES

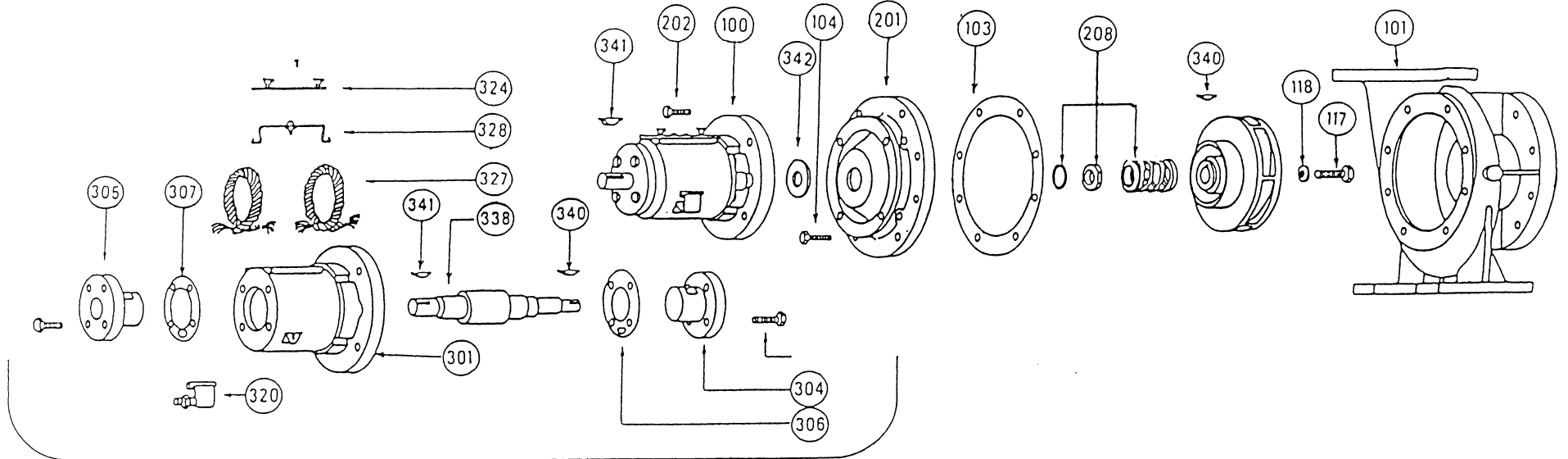
MOTOR HP AND MOTOR SPEED									
	1750RPM	1/2 & 3/4	1	1 1/2 & 2	3	5	7 1/2	10	15
FRAME	1954 RERATE	56	182	184	213	215	254U	256U	284U
SIZE	1964 RERATE	56	143T	145T	182T	184T	213T	215T	254T
PUMP SIZE									
U1 1/4A	1 1/4D	S	S	S					
U1 1/2A	1 1/2D	S	S	S					
U2A	2D	S	S	S					
U2 1/2A	2 1/2D	S	S	S	S				
U3A	3D		S	S	S				
U4A	4D			S	S	S			
U1 1/4B	1 1/4E		S	S	S	S			
U1 1/2B	1 1/2E			S	S	S			
U2B	2E			S	S	S	S		
U2 1/2B	2 1/2E				S	S	S	S	
U3B	3E					S	S	S	
U4B	4E					S	S	S	S
U5B	5E						S	S	S

"S" DESIGNATION - 7/8" IMPELLER BORE, 1 1/4" MECHANICAL SEAL

S WHEN REPLACING THE BEARING FRAME ASSEMBLIES ON PUMPS HAVING THESE MOTOR FRAMES SIZES, USE THE 4030 BEARING FRAME ASSEMBLY.

OLD STYLE UNIVERSAL ----- NEW STYLE 4020 TANGENTIAL, BASE MOUNTED PUMP

EXPLODED VIEW



BEARING FRAME ASSEMBLY IS COMPOSED OF PARTS SHOWN ABOVE

INDEX

ITEM	DESCRIPTION	PAGE	ITEM	DESCRIPTION	PAGE	ITEM	DESCRIPTION	PAGE
100	BRG. FRAME ASSY.	17	208	MECHANICAL SEAL ASSY.	18	327	OIL WICK (4 REQ'D)	17
101	VOLUTE	5,6,7&8	301	BEARING FRAME	17	328	OIL WICK SPRING	17
102	IMPELLER	9,10,11&12	304	SLEEVE BRG. (INBRD.)	17	338	SHAFT & SLEEVE ASSY.	17
103	VOLUTE GASKET	19	305	SLEEVE BRG. (OUTBRD.)	17	340	IMPELLER KEY	18
104	VOLUTE CAPSCREW	20	306	SLV. BRG. GSKT. (INBRD.)	17	341	COUPLER KEY	18
117	IMPELLER CAPSCREW	18	307	SLV. BRG. GSKT. (OUTBRD.)	17	342	WATER SLINGER	17
118	IMPELLER WASHER	18	320	OIL CUP	18		COUPLER (NOT SHOWN)	21
201	COVERPLATE	13,14,15&16	320	OIL CUP	18		COUPLER INSERT	21
202	COVERPLATE CAPSCREW	18	324	OIL WELL COVER ASSY.	17			

4020 PUMP PARTS

(OLD STYLE UNIVERSAL)

ITEM 101 VOLUTE

STOCK SIZES

PUMP SIZE		CONST.	PART NUMBER	BAR CODE
OLD	NEW			
U1-60	D - 141	B.F. / A.I.	425143-011	
U1-60	D - 141	A.B.	425143-041	
U2-60	D - 142	B.F. / A.I.	425143-011	
U2-60	D - 142	A.B.	425143-041	
U3-60	D - 143	B.F. / A.I.	425143-011	
U3-60	D - 143	A.B.	425143-041	
U4-60	D - 144	B.F. / A.I.	425145-011	
U4-60	D - 144	A.B.	425145-041	
U6-60	D - 146	B.F. / A.I.	415299-011	
U6-60	D - 146	A.B.	415299-041	
U5-60	D - 145	B.F. / A.I.	415297-011	
U5-60	D - 145	A.B.	415297-041	

NOTES:

* B.F. Denotes "Bronze Fitted " construction. Parts in contact with pumped liquid are bronze or copper, except volute and cover plate.

A.I. Denotes "All Iron " construction. Parts in contact with the pumped liquid are cast iron or steel, except shaft sleeve & mech. seal.

A.B. Denotes "All Bronze" construction. Parts in contact with the pumped liquid are bronze or stainless steel.

STOCK VOLUTES CONTINUED ON PAGE 6

4020 PUMP PARTS

(OLD STYLE UNIVERSAL)

ITEM 101 VOLUTE

STOCK SIZES (cont'd)

PUMP SIZE		CONST.	PART NUMBER	BAR CODE
OLD	NEW			
U7-60	D - 147	B.F. / A.I.	415297-011	
U7-60	D - 147	A.B.	415297-041	
U8-60	D - 148	B.F. / A.I.	415303-011	
U8-60	D - 148	A.B.	415303-041	
U9-60	D - 149	B.F. / A.I.	415297-011	
U9-60	D - 149	A.B.	415297-041	
U10-60	D - 150	B.F. / A.I.	415303-011	
U10-60	D - 150	A.B.	415303-041	
U11-60	D - 151	B.F. / A.I.	415301-011	
U11-60	D - 151	A.B.	415301-041	
U12-60	D - 152	B.F. / A.I.	415303-011	
U12-60	D - 152	A.B.	415303-041	

NOTES:

* B.F. Denotes "Bronze Fitted " construction. Parts in contact with pumped liquid are bronze or copper, except volute and cover plate.

A.I. Denotes "All Iron " construction. Parts in contact with the pumped liquid are cast iron or steel, except shaft sleeve & mech. seal.

A.B. Denotes "All Bronze" construction. Parts in contact with the pumped liquid are bronze or stainless steel.

4020 PUMP PARTS

(OLD STYLE UNIVERSAL)

ITEM 101 VOLUTE

CUSTOM SIZES

PUMP SIZE		CONST.	PART	BAR CODE
OLD	NEW		NUMBER	
U1 1/4A	1 1/4D	B.F. / A.I.	415291-011	
U1 1/4A	1 1/4D	A.B.	415291-041	
U1 1/2A	1 1/2D	B.F. / A.I.	415293-011	
U1 1/2A	1 1/2D	A.B.	415293-041	
U2A	2D	A.B.	425141-041	
U2 1/2A	2 1/2D	B.F. / A.I.	425143-011	
U2 1/2A	2 1/2D	A.B.	425143-041	
U3A	3D	B.F. / A.I.	425145-011	
U3A	3D	A.B.	425145-041	
U4A	4D	B.F. / A.I.	415299-011	
U4A	4D	A.B.	415299-041	

NOTES:

* B.F. Denotes "Bronze Fitted " construction. Parts in contact with pumped liquid are bronze or copper, except volute and cover plate.

A.I. Denotes "All Iron " construction. Parts in contact with the pumped liquid are cast iron or steel, except shaft sleeve & mechanical seal.

A.B. Denotes "All Bronze" construction. Parts in contact with the pumped liquid are bronze or stainless steel.

CUSTOM VOLUTES CONTINUED ON PAGE 8

4020 PUMP PARTS

(OLD STYLE UNIVERSAL)

ITEM 101 VOLUTE

CUSTOM SIZES (cont'd)

PUMP SIZE		CONST.	PART	BAR CODE
OLD	NEW		NUMBER	
U1 1/4B	1 1/4E	B.F. / A.I.	416168-011	
U1 1/4B	1 1/4E	A.B.	416168-041	
U1 1/2B	1 1/2E	B.F. / A.I.	425147-011	
U1 1/2B	1 1/2E	A.B.	425147-041	
U2B	2E	B.F. / A.I.	419153-011	
U2B	2E	A.B.	419153-041	
U2 1/2B	2 1/2E	B.F. / A.I.	415297-011	
U2 1/2B	2 1/2E	A.B.	415297-041	
U3B	3E	B.F. / A.I.	416180-011	
U3B	3E	A.B.	416180-041	
U4B	4E	B.F. / A.I.	415301-011	
U4B	4E	A.B.	415301-041	
U5B	5E	B.F. / A.I.	415303-011	
U5B	5E	A.B.	415303-041	

NOTES:

* B.F. Denotes "Bronze Fitted " construction. Parts in contact with pumped liquid are bronze or copper, except volute and cover plate.

A.I. Denotes "All Iron " construction. Parts in contact with the pumped liquid are cast iron or steel, except shaft sleeve & mechanical seal.

A.B. Denotes "All Bronze" construction. Parts in contact with the pumped liquid are bronze or stainless steel.

4020 PUMP PARTS

(OLD STYLE UNIVERSAL)

"S" SIZE 7/8" IMPELLER BORE ----- 1" SHAFT DIAMETER AT COUPLER

ITEM 102 IMPELLER

STOCK SIZES

PUMP SIZE		CONST.	PART NUMBER	TRIM ** DIA.	BAR CODE
OLD	NEW				
U1-60	D - 141	B.F. / A.B.	406642-041	5 1/4"	
U1-60	D - 141	A.I.	406642-011	5 1/4"	
U2-60	D - 142	B.F. / A.B.	406642-041	6"	
U2-60	D - 142	A.I.	406642-011	6"	
U3-60	D - 143	B.F. / A.B.	406642-041	6 1/2"	
U3-60	D - 143	A.I.	406642-011	6 1/2"	
U4-60	D - 144	B.F. / A.B.	411868-041	6 7/8"	
U4-60	D - 144	A.I.	411868-011	6 7/8"	
U6-60	D - 146	B.F. / A.B.	411874-041	6 1/2"	
U6-60	D - 146	A.I.	411874-011	6 1/2"	
U5-60	D - 145	B.F. / A.B.	411881-041	7 1/4"	
U5-60	D - 145	A.I.	411881-011	7 1/4"	

NOTES:

* B.F. Denotes "Bronze Fitted " construction. Parts in contact with pumped liquid are bronze or copper, except volute and cover plate.

I.F. Denotes "Iron Fitted " construction. Parts in contact with the pumped liquid are cast iron or steel, except shaft sleeve & mechanical seal.

A.B. Denotes "All Bronze" construction. Parts in contact with the pumped liquid are bronze or stainless steel.

** Impeller Part Numbers are for trimmed diameter Impellers. Always specify Pump Serial Number and where possible, measure and advise the diameter of the Impeller being replaced on these Pumps.

STOCK IMPELLERS CONTINUED ON PAGE 10

4020 PUMP PARTS

(OLD STYLE UNIVERSAL)

"S" SIZE 7/8" IMPELLER BORE ----- 1" SHAFT DIAMETER AT COUPLER

ITEM 102 IMPELLER

STOCK SIZES (cont'd)

PUMP SIZE		CONST.	PART NUMBER	TRIM ** DIA.	BAR CODE
OLD	NEW				
U7-60	D - 147	B.F. / A.B.	411881-041	8"	
U7-60	D - 147	A.I.	411881-011	8"	
U8-60	D - 148	B.F. / A.B.	411941-041	7 1/4"	
U8-60	D - 148	A.I.	411941-011	7 1/4"	
U9-60	D - 149	B.F. / A.B.	411881-041	9"	
U9-60	D - 149	A.I.	411881-011	9"	
U10-60	D - 150	B.F. / A.B.	411941-041	7 3/4"	
U10-60	D - 150	A.I.	411941-011	7 3/4"	
U11-60	D - 151	B.F. / A.B.	411940-041	8 3/4"	
U11-60	D - 151	A.I.	411940-011	8 3/4"	
U12-60	D - 151	B.F. / A.B.	411941-041	8 1/2"	
U12-60	D - 151	A.I.	411941-011	8 1/2"	

NOTES:

* B.F. Denotes "Bronze Fitted " construction. Parts in contact with pumped liquid are bronze or copper, except volute and cover plate.

I.F. Denotes "Iron Fitted " construction. Parts in contact with the pumped liquid are cast iron or steel, except shaft sleeve & mechanical seal.

A.B. Denotes "All Bronze" construction. Parts in contact with the pumped liquid are bronze or stainless steel.

** Impeller Part Numbers are for trimmed diameter Impellers. Always specify Pump Serial Number and where possible, measure and advise the diameter of the Impeller being replaced on these Pumps.

4020 PUMP PARTS

(OLD STYLE UNIVERSAL)

"S" SIZE 7/8" IMPELLER BORE ----- 1" SHAFT DIAMETER AT COUPLER

ITEM 102 IMPELLER

CUSTOM SIZES

PUMP SIZE		CONST.	PART NUMBER	TRIM ** DIA.	BAR CODE
OLD	NEW				
U1 1/4A	1 1/4D	B.F. / A.B.	411852-041	7"	
U1 1/4A	1 1/4D	A.I.	411852-011	7"	
U1 1/2A	1 1/2D	B.F. / A.B.	411860-041	7"	
U1 1/2A	1 1/2D	A.I.	411860-011	7"	
U2A	2D	B.F. / A.B.	411860-041	7"	
U2A	2D	A.I.	411860-011	7"	
U2 1/2A	2 1/2D	B.F. / A.B.	406642-041	7"	
U2 1/2A	2 1/2D	A.I.	406642-011	7"	
U3A	3D	B.F. / A.B.	411868-041	7"	
U3A	3D	A.I.	411868-011	7"	
U4A	4D	B.F. / A.B.	411874-041	7"	
U4A	4D	A.I.	411874-011	7"	

NOTES:

* B.F. Denotes "Bronze Fitted " construction. Parts in contact with pumped liquid are bronze or copper, except volute and cover plate.

I.F. Denotes "Iron Fitted " construction. Parts in contact with the pumped liquid are cast iron or steel, except shaft sleeve & mechanical seal.

A.B. Denotes "All Bronze" construction. Parts in contact with the pumped liquid are bronze or stainless steel.

** Impeller Part Numbers are for full or maximum diameter Impellers. Always specify Pump Serial Number and where possible, measure and advise the diameter of the Impeller being replaced on these Pumps.

CUSTOM IMPELLERS CONTINUED ON PAGE 12

4020 PUMP PARTS

(OLD STYLE UNIVERSAL)

"S" SIZE 7/8" IMPELLER BORE ----- 1" SHAFT DIAMETER AT COUPLER

ITEM 102 IMPELLER

CUSTOM SIZES (cont'd)

PUMP SIZE		CONST.	PART NUMBER	TRIM ** DIA.	BAR CODE
OLD	NEW				
U1 1/4B	1 1/4E	B.F. / A.B.	407922-041	9 1/2"	
U1 1/4B	1 1/4E	A.I.	407922-011	9 1/2"	
U1 1/2B	1 1/2E	B.F. / A.B.	407922-041	9 1/2"	
U1 1/2B	1 1/2E	A.I.	407922-011	9 1/2"	
U2B	2E	B.F. / A.B.	411881-041	9 1/2"	
U2B	2E	A.I.	411881-011	9 1/2"	
U2 1/2B	2 1/2E	B.F. / A.B.	411881-041	9 1/2"	
U2 1/2B	2 1/2E	A.I.	411881-011	9 1/2"	
U3B	3E	B.F. / A.B.	419465-041	9 1/2"	
U3B	3E	A.I.	419465-011	9 1/2"	
U4B	4E	B.F. / A.B.	411940-041	9 1/2"	
U4B	4E	A.I.	411940-011	9 1/2"	
U5B	5E	B.F. / A.B.	411941-041	9 1/2"	
U5B	5E	A.I.	411941-011	9 1/2"	

NOTES:

* B.F. Denotes "Bronze Fitted " construction. Parts in contact with pumped liquid are bronze or copper, except volute and cover plate.

I.F. Denotes "Iron Fitted " construction. Parts in contact with the pumped liquid are cast iron or steel, except shaft sleeve & mechanical seal.

A.B. Denotes "All Bronze" construction. Parts in contact with the pumped liquid are bronze or stainless steel.

** Impeller Part Numbers are for full or maximum diameter Impellers. Always specify Pump Serial Number and where possible, measure and advise the diameter of the Impeller being replaced on these Pumps.

4020 PUMP PARTS

(OLD STYLE UNIVERSAL)

ITEM 201 COVERPLATE

STOCK SIZES

PUMP SIZE		CONST.	PART	BAR CODE
OLD	NEW		NUMBER	
U1-60	D - 141	B.F. / A.I.*	409564-011	
U1-60	D - 141	A.B.*	409564-041	
U2-60	D - 142	B.F. / A.I.*	409564-011	
U2-60	D - 142	A.B.*	409564-041	
U3-60	D - 143	B.F. / A.I.*	409564-011	
U3-60	D - 143	A.B.*	409564-041	
U4-60	D - 144	B.F. / A.I.*	409564-011	
U4-60	D - 144	A.B.*	409564-041	
U6-60	D - 146	B.F. / A.I.*	409564-011	
U6-60	D - 146	A.B.*	409564-041	

NOTES:

* B.F. Denotes "Bronze Fitted " construction. Parts in contact with pumped liquid are bronze or copper, except volute and cover plate.

A.I. Denotes "All Iron " construction. Parts in contact with the pumped liquid are cast iron or steel, except shaft sleeve & mechanical seal.

A.B. Denotes "All Bronze" construction. Parts in contact with the pumped liquid are bronze or stainless steel.

UNIVERSAL COVERPLATES CONTINUED ON PAGE 14

4020 PUMP PARTS

(OLD STYLE UNIVERSAL)

ITEM 201 COVERPLATE

STOCK SIZES (cont'd)

PUMP SIZE		CONST.	PART	BAR CODE
OLD	NEW		NUMBER	
U5-60	D - 145	B.F. / A.I.*	409563-011	
U5-60	D - 145	A.B.*	409563-041	
U7-60	D - 147	B.F. / A.I.*	409563-011	
U7-60	D - 147	A.B.*	409563-041	
U8-60	D - 148	B.F. / A.I.*	409563-011	
U8-60	D - 148	A.B.*	409563-041	
U9-60	D - 149	B.F. / A.I.*	409563-011	
U9-60	D - 149	A.B.*	409563-041	
U10-60	D - 150	B.F. / A.I.*	409563-011	
U10-60	D - 150	A.B.*	409563-041	
U11-60	D - 151	B.F. / A.I.*	409563-011	
U11-60	D - 151	A.B.*	409563-041	
U12-60	D - 152	B.F. / A.I.*	409563-011	
U12-60	D - 152	A.B.*	409563-041	

NOTES:

* B.F. Denotes "Bronze Fitted " construction. Parts in contact with pumped liquid are bronze or copper, except volute and cover plate.

A.I. Denotes "All Iron " construction. Parts in contact with the pumped liquid are cast iron or steel, except shaft sleeve & mechanical seal.

A.B. Denotes "All Bronze" construction. Parts in contact with the pumped liquid are bronze or stainless steel.

4020 PUMP PARTS

(OLD STYLE UNIVERSAL)

ITEM 201 COVERPLATE

CUSTOM SIZES

PUMP SIZE		CONST.	PART	BAR CODE
OLD	NEW		NUMBER	
U1 1/4A	1 1/4D	B.F. / A.I.*	409564-011	
U1 1/4A	1 1/4D	A.B.*	409564-041	
U1 1/2A	1 1/2D	B.F. / A.I.*	409564-011	
U1 1/2A	1 1/2D	A.B.*	409564-041	
U2A	2D	B.F. / A.I.*	409564-011	
U2A	2D	A.B.*	409564-041	
U2 1/2A	2 1/2D	B.F. / A.I.*	409564-011	
U2 1/2A	2 1/2D	A.B.*	409564-041	
U3A	3D	B.F. / A.I.*	409564-011	
U3A	3D	A.B.*	409564-041	
U4A	4D	B.F. / A.I.*	409564-011	
U4A	4D	A.B.*	409564-041	

NOTES:

* B.F. Denotes "Bronze Fitted " construction. Parts in contact with pumped liquid are bronze or copper, except volute and cover plate.

A.I. Denotes "All Iron " construction. Parts in contact with the pumped liquid are cast iron or steel, except shaft sleeve & mechanical seal.

A.B. Denotes "All Bronze" construction. Parts in contact with the pumped liquid are bronze or stainless steel.

CUSTOM COVERPLATES CONTINUED ON PAGE 16

4020 PUMP PARTS
(OLD STYLE UNIVERSAL)

ITEM 201 COVERPLATE

CUSTOM SIZES (cont'd)

PUMP SIZE		CONST.	PART NUMBER	BAR CODE
OLD	NEW			
U1 1/4B	1 1/4E	B.F. / A.I.*	409563-011	
U1 1/4B	1 1/4E	A.B.*	409563-041	
U1 1/2B	1 1/2E	B.F. / A.I.*	409563-011	
U1 1/2B	1 1/2E	B.F. / A.I.*	409563-011	
U2B	2E	B.F. / A.I.*	409563-011	
U2B	2E	A.B.*	409563-041	
U2 1/2B	2 1/2E	B.F. / A.I.*	409563-011	
U2 1/2B	2 1/2E	A.B.*	409563-041	
U3B	3E	B.F. / A.I.*	409563-011	
U3B	3E	A.B.*	409563-041	
U4B	4E	B.F. / A.I.*	409563-011	
U4B	4E	A.B.*	409563-041	
U5B	5E	B.F. / A.I.*	409563-011	
U5B	5E	A.B.*	409563-041	

NOTES:

* B.F. Denotes "Bronze Fitted " construction. Parts in contact with pumped liquid are bronze or copper, except volute and cover plate.

A.I. Denotes "All Iron " construction. Parts in contact with the pumped liquid are cast iron or steel, except shaft sleeve & mechanical seal.

A.B. Denotes "All Bronze" construction. Parts in contact with the pumped liquid are bronze or stainless steel.

4020 PUMP PARTS

(OLD STYLE UNIVERSAL)

BEARING FRAME ASSEMBLY

ITEM NO.	DESCRIPTION	PART NUMBER	BAR CODE
100	BEARING FRAME ASSY. B.F. & A.I.	806617-000	
100	BEARING FRAME ASSY. A.B.	819952-000	
<p>NOTE: Each Bearing Frame Assembly includes components in this table having a part number listed in the column below the Bearing Frame Part Number.</p>			
301	BEARING FRAME	406618-000	
304	SLEEVE BEARING (INBRD)	806620-000	
305	SLEEVE BEARING (OUTBRD)	806620-000	
306	SLEEVE BEARING GASKET (INBRD)	406621-000	
307	SLEEVE BEARING GASKET (OUTBRD)	406621-000	
318	SLEEVE BEARING WICK (2 REQ'D)	406627-000	
320	OIL CUP	406624-000	
324	OIL WELL COVER ASSEMBLY	406625-000	
327	OIL WICK (4 REQ'D)	106993-000	
328	OIL WICK SPRING	406623-000	
338	SHAFT AND SLEEVE ASSY. B.F. & A.I.	806626-071	
338	SHAFT AND SLEEVE ASSY. A.B.	812600-000	
342	WATER SLINGER	406622-000	

NOTES:

* B.F. Denotes "Bronze Fitted " construction. Parts in contact with pumped liquid are bronze or copper, except volute and cover plate.

A.I. Denotes "All Iron " construction. Parts in contact with the pumped liquid are cast iron or steel, except shaft sleeve & mechanical seal.

A.B. Denotes "All Bronze" construction. Parts in contact with the pumped liquid are bronze or stainless steel.

SEE NEXT PAGE FOR COMMON PARTS

4020 PUMP PARTS

(OLD STYLE UNIVERSAL)

COMMON PARTS

(Not included in the Bearing Frame Assembly)

ITEM NO.	DESCRIPTION	PART NUMBER	BAR CODE
118	IMPELLER WASHER B.F./ A.I.	406614-000	
118	IMPELLER WASHER A.B.	406677-000	
208	SEAL ASSEMBLY (Std.) B.F./A.B./A.I.	825458-001	
208	SEAL ASSEMBLY -- (Viton) B.F./A.B./A.I.	825458-003	

HARDWARE

ITEM NO.	DESCRIPTION	PART NUMBER	BAR CODE
117	IMPELLER CAPSCREW	911900-114	
202	COVERPLATE CAPSCREW (4 REQ'D)	911121-108	
308	SLEEVE BEARING CAPSCREW (4 REQ'D)	911121-108	
309	SLEEVE BEARING CAPSCREW (4 REQ'D)	911121-108	
326	OIL WELL COVER SCREW (4 REQ'D)	916213-104	
330	OIL WICK SPRING SCREW	916411-806	
335	PIPE PLUG	937105-200	
340	IMPELLER KEY	974515-100	
341	COUPLER KEY	974523-100	

NOTES:

* B.F. Denotes "Bronze Fitted " construction. Parts in contact with pumped liquid are bronze or copper, except volute and cover plate.

A.I. Denotes "All Iron " construction. Parts in contact with the pumped liquid are cast iron or steel, except shaft sleeve & mechanical seal.

A.B. Denotes "All Bronze" construction. Parts in contact with the pumped liquid are bronze or stainless steel.

4020 PUMP PARTS

(OLD STYLE UNIVERSAL)

ITEM 103 VOLUTE GASKET

STOCK SIZES

PUMP SIZE		CONST.	PART NUMBER	BAR CODE
OLD	NEW			
U1-60	D - 141	ALL	106592-000	
U2-60	D - 142			
U3-60	D - 143			
U4-60	D - 144			
U6-60	D - 146			
U5-60	D - 145	ALL	406604-000	
U7-60	D - 147			
U8-60	D - 148			
U9-60	D - 149			
U10-60	D - 150			
U11-60	D - 151			
U12-60	D - 152			
U1 1/4A	1 1/4D	ALL	106592-000	
U1 1/2A	1 1/2D			
U2A	2D			
U2 1/2A	2 1/2D			
U3A	3D			
U4A	4D			
U1 1/4B	1 1/4E	ALL	406604-000	
U1 1/2B	1 1/2E			
U2B	2E			
U2 1/2B	2 1/2E			
U3B	3E			
U4B	4E			
U5B	5E			

4020 PUMP PARTS

(OLD STYLE UNIVERSAL)

ITEM 104 VOLUTE CAPSCREW

STOCK SIZES

PUMP SIZE		CONST.	PART NUMBER	BAR CODE
OLD	NEW			
U1-60	D - 141	ALL	8 REQ'D 3/8-16NCX7/8" 911121-107	
U2-60	D - 142			
U3-60	D - 143			
U4-60	D - 144			
U6-60	D - 146			
U5-60	D - 145	ALL	12 REQ'D 7/16-14NCX1" 911123-108	
U7-60	D - 147			
U8-60	D - 148			
U9-60	D - 149			
U10-60	D - 150			
U11-60	D - 151			
U12-60	D - 152			
U1 1/4A	1 1/4D	ALL	8 REQ'D 3/8-16NCX7/8" 911121-107	
U1 1/2A	1 1/2D			
U2A	2D			
U2 1/2A	2 1/2D			
U3A	3D			
U4A	4D			
U1 1/4B	1 1/4E	ALL	12 REQ'D 7/16-14NCX1" 911123-108	
U1 1/2B	1 1/2E			
U2B	2E			
U2 1/2B	2 1/2E			
U3B	3E			
U4B	4E			
U5B	5E			

4020 PUMP PARTS

7/8" IMPELLER BORE ---- 1" SHAFT DIAMETER AT COUPLER

1 1/4" MECHANICAL SEAL

COUPLER SELECTION TABLE

(WOODS TYPE)

PUMP SHAFT SIZE	MOTOR FRAME SIZE	MOTOR SHAFT SIZE	WOODS SIZE	COUPLER PART NUMBER	ARMSTRONG BAR CODE
1"	56	5/8"	4J	819340-002	
1"	143T - 145T 182 - 184	7/8"	4J	819341-002	
1"	182T - 184T 213 - 215	1 1/8"	5J	819342-002	
1"	213T - 215T 254U - 256U	1 3/8"	6J	819344-002	
1"	254T - 256T 284U	1 5/8"	7J	819347-002	

COUPLER INSERT SELECTION TABLE

(WOODS TYPE)

COUPLER INSERT SIZE	INSERT NUMBER	PART NUMBER	BAR CODE
4J	4JE	875000-801	
5J	5JE	875000-802	
6J	6JE	875000-803	
7J	7JE	875000-804	