

File No.	6043.223
Date:	February 25, 2010
Supersedes:	6043.223
Date:	August 1, 2000

ARMSTRONG

PARTS LIST

SERIES 4380

"CLOSE COUPLED"

OR

MOTOR MOUNTED PUMP

MECHANICAL SEAL DESIGN

VERTICAL

OLD DESIGN

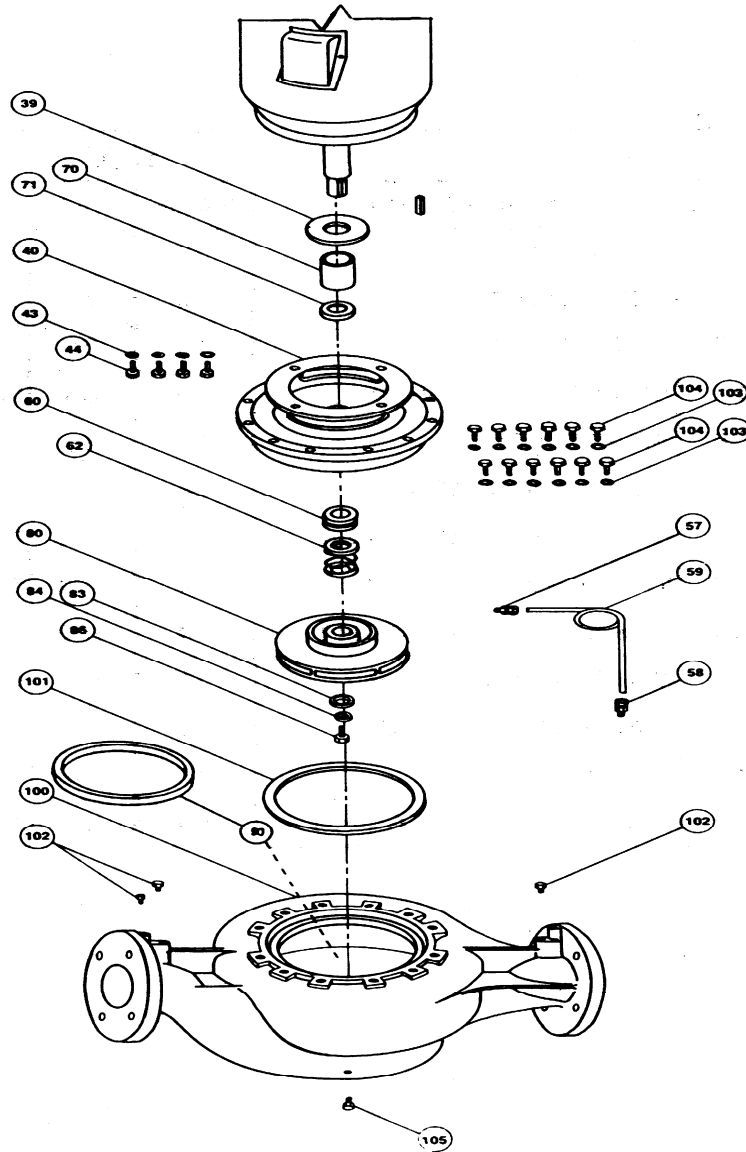
4380 POWER FRAMES, ALL SPEEDS

MOTOR HP SPEED	1200					3	5	7 1/2	10	15	20	25	30	40	50	60	75
	1800RPM	1/2,3/4&1	1 1/2&2	3	5	7 1/2	10	15	20	25	30	40	50	60	75	100	125
	3600RPM	1 1/2	2&3	5	7 1/2	10	15	20	25	30	40	50	60				
FRAME SIZE	1954 RERATE	182C	184C	213C	215C	254UC	256UC	284UC	286UC	324UC	326SC						
	1964 RERATE	143JM	145JM	182JM	184JM	213JM	215JM	254JM	256JM	284JM	286JM						
	WEST COAST							254TCZ	256TCZ	284TCZ	286TCZ	324TCZ	326TCZ				
	1972 RERATE							254JP	256JP	284JP	286JP	324JP	326JP	364TY	365TY	404TY	405TY
PUMP SIZE																	
1 1/4D	S	S	S	S	S	S	S	-	-	-	-	-	-	-	-	-	-
1 1/2D	S	S	S	S	S	S	S	-	-	-	-	-	-	-	-	-	-
2D	S	S	S	S	S	S	S	-	-	-	-	-	-	-	-	-	-
3D	S	S	S	-	S	S	S	M	M	M	-	-	-	-	-	-	-
4D	-	S	S	S	-	S	S	M	M	M	M	M	-	-	-	-	-
1 1/2E	-	S	S	S	-	S	S	M	M	M	M	-	-	-	-	-	-
2E	-	S	S	S	S	-	S	M	-	M	M	M	M	-	-	-	-
3E	-	-	-	S	S	S	S	M	-	M	M	M	M	-	-	-	-
4E	-	-	-	-	S	S	S	M	-	-	-	M	M	-	-	-	-
4GN	-	-	-	-	S	-	-	L	L	L	-	L	L	-	-	-	-
6F	-	-	-	-	-	-	-	L	L	L	L	L	L	-	-	-	-
6FN	-	-	-	-	-	-	-	L	L	L	L	L	L	-	-	-	-
6G	-	-	-	-	-	-	-	-	-	L	L	L	L	L	L	-	-
6GN	-	-	-	-	-	-	-	-	-	L	L	L	L	L	L	-	-
8F	-	-	-	-	L	L	L	L	L	L	L	L	L	-	-	-	-
8FN	-	-	-	-	L	L	L	L	L	L	L	L	L	-	-	-	-
8G	-	-	-	-	-	-	-	-	-	L	L	L	L	L	L	XL	XL
8GN	-	-	-	-	-	-	-	-	-	L	L	L	L	L	L	XL	XL

- "S" DESIGNATION - 7/8" IMPELLER BORE, 1 1/4" MECHANICAL SEAL
- "M" DESIGNATION - 1 1/4" IMPELLER BORE, 1 5/8" MECHANICAL SEAL
- "L" DESIGNATION - 1 1/4" IMPELLER BORE, 1 3/4" MECHANICAL SEAL
- "XL" DESIGNATION - 1 5/8" IMPELLER BORE, 2 1/8" MECHANICAL SEAL

OLD STYLE 4380

EXPLODED VIEW



ITEM NO.	DESCRIPTION	PAGE NO.	ITEM NO.	DESCRIPTION	PAGE NO.
39	WATER SLINGER	23	71	SHAFT SLEEVE SPACER	22
40	MOTOR/PUMP BRACKET	10, 11, 12 & 13	80	IMPELLER	6, 7, 8 & 9
43	MTR CAPSREW LOCK WASHER	25	83	IMPELLER WASHER	16 & 17
44	MOTOR CAPSCREW	25	84	IMPELLER LOCKWASHER	N/A
57	MALE CONNECTOR	26	86	IMPELLER CAPSCREW	16 & 17
58	MALE ELBOW	26	100	VOLUTE	3, 4 & 5
59	TUBING	27	101	VOLUTE GASKET	24
62	MECHANICAL SEAL ASSEMBLY	18 & 19	103	VOLUTE CAPSCREW LOCKWASHER	24
70	SHAFT SLEEVE	20 & 21	104	VOLUTE CAPSCREW	24
70 & 71	SHAFT SLEEVE & SPACER KIT	23	90	CASE WEAR RING	14 & 15

CLOSE COUPLED / MOTOR MOUNTED
PUMP PARTS
 OLD STYLE VERTICAL
MODEL 4380

ITEM 100 VOLUTE 125 LBS. A.S.A. FLANGES			
PUMP SIZE	MATERIAL	PART NUMBER	BAR CODE
1 1/2D	CAST IRON	425521-011	
1 1/2D	BRONZE	425521-041	
2D	CAST IRON	425523-011	
2D	BRONZE	425523-041	
3D	CAST IRON	425525-011	
3D	BRONZE	425525-041	
4D	CAST IRON	425527-011	
4D	BRONZE	425527-041	
1 1/2E	CAST IRON	425531-011	
1 1/2E	BRONZE	425531-041	
2E	CAST IRON	425533-011	
2E	BRONZE	425533-041	
3E	CAST IRON	425535-011	
3E	BRONZE	425535-041	
4E	CAST IRON	425537-011	
4E	BRONZE	425537-041	

250 LB. VOLUTES ON PAGE 4

**CLOSE COUPLED / MOTOR MOUNTED
PUMP PARTS
OLD STYLE VERTICAL
MODEL 4380**

ITEM 100 VOLUTE 250 LBS. A.S.A. FLANGES			
PUMP SIZE	MATERIAL	PART NUMBER	BAR CODE
1 1/2D	CAST IRON	425522-011	
1 1/2D	BRONZE	425522-041	
2D	CAST IRON	425524-011	
2D	BRONZE	425524-041	
3D	CAST IRON	425526-011	
3D	BRONZE	425526-041	
4D	CAST IRON	425528-011	
4D	BRONZE	425528-041	
<hr/>			
1 1/2E	CAST IRON	425532-011	
1 1/2E	BRONZE	425532-041	
2E	CAST IRON	425534-011	
2E	BRONZE	425534-041	
3E	CAST IRON	425536-011	
3E	BRONZE	425536-041	
4E	CAST IRON	425538-011	
4E	BRONZE	425538-041	

250 LB. VOLUTES CONTINUED ON PAGE 5

**CLOSE COUPLED / MOTOR MOUNTED
PUMP PARTS
OLD STYLE VERTICAL
MODEL 4380**

ITEM 100 VOLUTE 250 LBS. A.S.A. FLANGES			
PUMP SIZE	MATERIAL	PART NUMBER	BAR CODE
4GN	DUCTILE IRON	425874-031	
6F	DUCTILE IRON	425620-031	
6FN	DUCTILE IRON	425620-031	
6G	DUCTILE IRON	425630-031	
6GN	DUCTILE IRON	425630-031	
8F	DUCTILE IRON	425720-031	
8FN	DUCTILE IRON	425720-031	
8G	DUCTILE IRON	425754-031	
8GN	DUCTILE IRON	425754-031	

CLOSE COUPLED / MOTOR MOUNTED PUMP PARTS

OLD STYLE VERTICAL

MODEL 4380 "S" SIZE

ITEM 80 IMPELLER** 7/8" BORE

PUMP SIZE	MATERIAL	IMP. BORE	MAX. DIA.	PART NUMBER	BAR CODE
1 1/2 D	BRONZE	7/8"	7"	411860-041	
1 1/2 D	CAST IRON	7/8"	7"	411860-011	
2 D	BRONZE	7/8"	7"	411860-041	
2 D	CAST IRON	7/8"	7"	411860-011	
3 D	BRONZE	7/8"	7"	425529-041	
3 D	CAST IRON	7/8"	7"	425529-011	
4 D	BRONZE	7/8"	7"	411874-041	
4 D	CAST IRON	7/8"	7"	411874-011	
1 1/2 E	BRONZE	7/8"	9 1/2"	407922-041	
1 1/2 E	CAST IRON	7/8"	9 1/2"	407922-011	
2 E	BRONZE	7/8"	9 1/2"	411881-041	
2 E	CAST IRON	7/8"	9 1/2"	411881-011	
3 E	BRONZE	7/8"	9 1/2"	419465-041	
3 E	CAST IRON	7/8"	9 1/2"	419465-011	
4 E	BRONZE	7/8"	9 1/2"	425540-041	
4 E	CAST IRON	7/8"	9 1/2"	425540-011	

** Impeller Part Numbers are for full or maximum diameter Impellers. Always specify Pump Serial Number and where possible, measure and advise the diameter of the Impeller being replaced on these Pumps.

IMPELLERS CONTINUED ON PAGE 7

CLOSE COUPLED / MOTOR MOUNTED PUMP PARTS

OLD STYLE VERTICAL

MODEL 4380 "M" SIZE

ITEM 80 IMPELLER** 1 1/4" BORE

PUMP SIZE	MATERIAL	IMP. BORE	MAX. DIA.	PART NUMBER	BAR CODE
1 1/2 D	BRONZE	1 1/4"	7"	419229-041	
1 1/2 D	CAST IRON	1 1/4"	7"	419229-011	
2 D	BRONZE	1 1/4"	7"	419229-041	
2 D	CAST IRON	1 1/4"	7"	419229-011	
3 D	BRONZE	1 1/4"	7"	425530-041	
3 D	CAST IRON	1 1/4"	7"	425530-011	
4 D	BRONZE	1 1/4"	7"	419236-041	
4 D	CAST IRON	1 1/4"	7"	419236-011	
1 1/2 E	BRONZE	1 1/4"	9 1/2"	419238-041	
1 1/2 E	CAST IRON	1 1/4"	9 1/2"	419238-011	
2 E	BRONZE	1 1/4"	9 1/2"	419239-041	
2 E	CAST IRON	1 1/4"	9 1/2"	419239-011	
3 E	BRONZE	1 1/4"	9 1/2"	419241-041	
3 E	CAST IRON	1 1/4"	9 1/2"	419241-011	
4 E	BRONZE	1 1/4"	9 1/2"	425539-041	
4 E	CAST IRON	1 1/4"	9 1/2"	425539-011	

** Impeller Part Numbers are for full or maximum diameter Impellers. Always specify Pump Serial Number and where possible, measure and advise the diameter of the Impeller being replaced on these Pumps.

IMPELLERS CONTINUED ON PAGE 8

CLOSE COUPLED / MOTOR MOUNTED PUMP PARTS

OLD STYLE VERTICAL

MODEL 4380 "L" SIZE

ITEM 80 IMPELLER** 1 1/4" BORE (Cont'd)					
PUMP SIZE	MATERIAL	IMP. BORE	MAX. DIA.	PART NUMBER	BAR CODE
4GN	BRONZE	1 1/4"	13"	425774-041	
4GN	CAST IRON	1 1/4"	13"	425774-011	
6F	BRONZE	1 1/4"	11"	425714-041	
6F	CAST IRON	1 1/4"	11"	425714-011	
6FN	BRONZE	1 1/4"	11"	425715-041	
6FN	CAST IRON	1 1/4"	11"	425715-011	
6G	BRONZE	1 1/4"	13"	425716-041	
6G	CAST IRON	1 1/4"	13"	425716-011	
6GN	BRONZE	1 1/4"	13"	425717-041	
6GN	CAST IRON	1 1/4"	13"	425717-011	
8F	BRONZE	1 1/4"	11"	425723-041	
8F	CAST IRON	1 1/4"	11"	425723-011	
8FN	BRONZE	1 1/4"	11"	425725-041	
8FN	CAST IRON	1 1/4"	11"	425725-011	
8G	BRONZE	1 1/4"	13"	425718-041	
8G	CAST IRON	1 1/4"	13"	425718-011	
8GN	BRONZE	1 1/4"	13"	425719-041	
8GN	CAST IRON	1 1/4"	13"	425719-011	

** Impeller Part Numbers are for full or maximum diameter Impellers. Always specify Pump Serial Number and where possible, measure and advise the diameter of the Impeller being replaced on these Pumps.

IMPELLERS CONTINUED ON PAGE 9

CLOSE COUPLED / MOTOR MOUNTED PUMP PARTS

OLD STYLE VERTICAL

MODEL 4380 "XL" SIZE

ITEM 102 IMPELLER** 1 5/8" BORE

PUMP SIZE	MATERIAL	IMP. BORE	MAX. DIA.	PART NUMBER	BAR CODE
8G	BRONZE	1 5/8"	13"	425735-041	
8G	CAST IRON	1 5/8"	13"	425735-011	
8GN	BRONZE	1 5/8"	13"	425736-041	
8GN	CAST IRON	1 5/8"	13"	425736-011	

** Impeller Part Numbers are for full or maximum diameter Impellers. Always specify Pump Serial Number and where possible, measure and advise the diameter of the Impeller being replaced on these Pumps.

CLOSE COUPLED / MOTOR MOUNTED PUMP PARTS

OLD STYLE VERTICAL

MODEL 4380 "S" SIZE

7/8" IMPELLER BORE---1 1/4" MECHANICAL SEAL

ITEM 40 MOTOR /PUMP BRACKET					
PUMP SIZE	MOTOR FRAME SIZE	SEAL SIZE	CONST.	PART NUMBER	BAR CODE
1 1/2D-4D	182C-184C	1 1/4"	B.F. & A.I.	409026-012	
	143JM-145JM				
	182JM-184JM				
1 1/2D-4D	182C-184C	1 1/4"	A.B.	409026-042	
	143JM-145JM				
	182JM-184JM				
1 1/2D-4D	215C-254UC	1 1/4"	B.F. & A.I.	406931-012	
	215C-256UC				
	213JM-215JM				
1 1/2D-4D	215C-254UC	1 1/4"	A.B.	406931-042	
	215C-256UC				
	213JM-215JM				
1 1/2E-4E	182C-184C	1 1/4"	B.F. & A.I.	409023-012	
	143JM-145JM				
	182JM-184JM				
1 1/2E-4E	182C-184C	1 1/4"	A.B.	409023-042	
	143JM-145JM				
	182JM-184JM				
1 1/2E-4E	215C-254UC	1 1/4"	B.F. & A.I.	406948-012	
	215C-256UC				
	213JM-215JM				
1 1/2E-4E	215C-254UC	1 1/4"	A.B.	406953-042	
	215C-256UC				
	213JM-215JM				

MOTOR/PUMP BRACKETS CONTINUED ON PAGE 11

CLOSE COUPLED / MOTOR MOUNTED PUMP PARTS

OLD STYLE VERTICAL

MODEL 4380 "M" SIZE

1 1/4" IMPELLER BORE---1 5/8" MECHANICAL SEAL

ITEM 40 MOTOR /PUMP BRACKET

PUMP SIZE	MOTOR FRAME SIZE	SEAL SIZE	CONST.	PART NUMBER	BAR CODE
1 1/2D-4D	254JP-256JP	1 5/8"	B.F. & A.I.	425392-012	
1 1/2D-4D	254JP-256JP	1 5/8"	A.B.	425392-042	
1 1/2D-4D	284UC-286UC 284JP-286JP	1 5/8"	B.F. & A.I.	419164-012	
1 1/2D-4D	284UC-286UC 284JP-286JP	1 5/8"	A.B.	419168-042	
1 1/2D-4D	324UC-404UC 326UC-405UC 324JP-326JP	1 5/8"	B.F. & A.I.	419165-012	
1 1/2D-4D	324UC-404UC 326UC-405UC 324JP-326JP	1 5/8"	A.B.	419169-042	

* B.F. Denotes "Bronze Fitted " construction. Parts in contact with pumped liquid are bronze or copper, except volute and cover plate.

A.I. Denotes "All Iron " construction. Parts in contact with the pumped liquid are cast iron or steel, except shaft sleeve & mechanical seal.

A.B. Denotes "All Bronze" construction. Parts in contact with the pumped liquid are bronze or stainless steel.

MOTOR/PUMP BRACKETS CONTINUED ON PAGE 12

CLOSE COUPLED / MOTOR MOUNTED PUMP PARTS

OLD STYLE VERTICAL

MODEL 4380 "M" SIZE

1 1/4" IMPELLER BORE---1 5/8" MECHANICAL SEAL

ITEM 40 MOTOR /PUMP BRACKET					
PUMP SIZE	MOTOR FRAME SIZE	SEAL SIZE	CONST.	PART NUMBER	BAR CODE
1 1/2E-4E	254TCZ-256TCZ 254JP-256JP	1 5/8"	BF. & A.I.	425393-012	
1 1/2E-4E	254TCZ-256TCZ 254JP-256JP	1 5/8"	A.B	425393-042	
1 1/2E-4E	284UC-286UC 284JP-286JP 284TCZ-286TCZ	1 5/8"	B.F. & A.I.	419166-012	
1 1/2E-4E	284UC-286UC 284JP-286JP 284TCZ-286TCZ	1 5/8"	A.B.	419170-042	
1 1/2E-4E	324UC-326UC 404UC-405UC 324JP-326JP 324TCZ-326TCZ	1 5/8"	B.F. & A.I.	411883-012	
1 1/2E-4E	324UC-326UC 404UC-405UC 324JP-326JP 324TCZ-326TCZ	1 5/8"	A.B.	419171-042	

* B.F. Denotes "Bronze Fitted " construction. Parts in contact with pumped liquid are bronze or copper, except volute and cover plate.

A.I. Denotes "All Iron " construction. Parts in contact with the pumped liquid are cast iron or steel, except shaft sleeve & mechanical seal.

A.B. Denotes "All Bronze" construction. Parts in contact with the pumped liquid are bronze or stainless steel.

MOTOR/PUMP BRACKETS CONTINUED ON PAGE 13

CLOSE COUPLED / MOTOR MOUNTED PUMP PARTS

OLD STYLE VERTICAL

MODEL 4380 "L" AND "XL" SIZES

1 1/4" IMPELLER BORE---1 3/4" AND 2 1/8" MECHANICAL SEAL

ITEM 40 MOTOR /PUMP BRACKET					
(DUCTILE IRON)					
PUMP SIZE	MOTOR FRAME SIZE	SEAL SIZE	CONST.	PART NUMBER	BAR CODE
4GN	284-286JP 324-326JP	1 3/4"	B.F. & A.I.	425990-031	
6F-6FN AND 8F-8FN	213-215JP 254-256JP 254-256TCZ	1 3/4"	B.F. & A.I.	425797-031	
6F-6FN AND 8F-8FN	284-286JP 324-326JP	1 3/4"	B.F. & A.I.	425797-032	
6G-6GN AND 8G-8GN	284-286JP 324-326JP	1 3/4"	B.F. & A.I.	425796-031	
6G-6GN AND 8G-8GN	364-365TY 364-365JP	1 3/4"	B.F. & A.I.	425796-031	
8G-8GN	404-405TY	2 1/8"	B.F. & A.I.	425795-031	

NOTES:

* B.F. Denotes "Bronze Fitted " construction. Parts in contact with pumped liquid are bronze or copper, except volute and cover plate.

A.I. Denotes "All Iron " construction. Parts in contact with the pumped liquid are cast iron or steel, except shaft sleeve & mechanical seal.

A.B. Denotes "All Bronze" construction. Parts in contact with the pumped liquid are bronze or stainless steel.

**CLOSE COUPLED / MOTOR MOUNTED
PUMP PARTS
OLD STYLE VERTICAL
MODEL 4380**

ITEM 110 CASE WEAR RING (LOWER)			
PUMP SIZE	CONST.	PART NUMBER	BAR CODE
1 1/2D	B.F. & A.B.	425550-041	
1 1/2D	A.I.	425550-071	
2D	B.F. & A.B.	425550-041	
2D	A.I.	425550-071	
3D	B.F. & A.B.	425550-045	
3D	A.I.	425550-075	
4D	B.F. & A.B.	425550-045	
4D	A.I.	425550-075	
<hr/>			
1 1/2E	B.F. & A.B.	425550-041	
1 1/2E	A.I.	425550-071	
2E	B.F. & A.B.	425550-043	
2E	A.I.	425550-073	
3E	B.F. & A.B.	425550-045	
3E	A.I.	425550-075	
4E	B.F. & A.B.	425550-047	
4E	A.I.	425550-077	

NOTES:

* B.F. Denotes "Bronze Fitted " construction. Parts in contact with pumped liquid are bronze or copper, except volute and cover plate.

A.I. Denotes "All Iron " construction. Parts in contact with the pumped liquid are cast iron or steel, except shaft sleeve & mechanical seal.

A.B. Denotes "All Bronze" construction. Parts in contact with the pumped liquid are bronze or stainless steel.

CASE WEAR RING (LOWER) CONTINUED ON PAGE 15

**CLOSE COUPLED / MOTOR MOUNTED
PUMP PARTS
OLD STYLE VERTICAL
MODEL 4380**

ITEM 110 CASE WEAR RING (LOWER)			
PUMP SIZE	CONST.	PART NUMBER	BAR CODE
4GN	B.F.	425550-055	
6F & 6FN	B.F. & A.B.	425550-055	
6F & 6FN	A.I.	425550-085	
6G & 6GN	B.F. & A.B.	425550-057	
6G & 6GN	A.I.	425550-087	
8F & 8FN	B.F. & A.B.	425550-057	
8F & 8FN	A.I.	425550-087	
8G & 8GN	B.F. & A.B.	425550-059	
8G & 8GN	A.I.	425550-089	

NOTES:

* B.F. Denotes "Bronze Fitted " construction. Parts in contact with pumped liquid are bronze or copper, except volute and cover plate.

A.I. Denotes "All Iron " construction. Parts in contact with the pumped liquid are cast iron or steel, except shaft sleeve & mechanical seal.

A.B. Denotes "All Bronze" construction. Parts in contact with the pumped liquid are bronze or stainless steel.

**CLOSE COUPLED / MOTOR MOUNTED
PUMP PARTS
OLD STYLE VERTICAL
MODEL 4380**

"S" SIZE 7/8" IMPELLER BORE COMMON PARTS			
ITEM NO.	DESCRIPTION	PART NUMBER	BAR CODE
86	IMPELLER CAPSCREW S/S	911900-108	
83	IMPELLER WASHER B.F./A.I./A.B.	425742-001	

"M" SIZE 1 1/4" IMPELLER BORE COMMON PARTS			
ITEM NO.	DESCRIPTION	PART NUMBER	BAR CODE
86	IMPELLER CAPSCREW S/S	911900-113	
83	IMPELLER WASHER B.F./A.I./A.B.	425742-003	

COMMON PARTS CONTINUED ON PAGE 17

**CLOSE COUPLED / MOTOR MOUNTED
PUMP PARTS
OLD STYLE VERTICAL
MODEL 4380**

**"L" SIZE 1 5/8" IMPELLER BORE
COMMON PARTS**

ITEM NO.	DESCRIPTION	PART NUMBER	BAR CODE
86	IMPELLER CAPSCREW S/S	911900-115	
83	IMPELLER WASHER B.F./A.I./A.B.	425742-004	

**"XL" SIZE 1 5/8" IMPELLER BORE
FRAMES 404TY & 405TY ONLY**

ITEM NO.	DESCRIPTION	PART NUMBER	BAR CODE
86	ACORN NUT B.F.	425745-001	
86	ACORN NUT A.I.	425745-002	
83	IMPELLER WASHER B.F./A.I.	425742-007	

**CLOSE COUPLED / MOTOR MOUNTED
PUMP PARTS
OLD STYLE VERTICAL
MODEL 4380**

ITEM 62			
1 1/4" MECHANICAL SEAL ASSEMBLY			
ITEM NO.	DESCRIPTION	PART NUMBER	BAR CODE
62	MECH. SEAL ASSY. STD. B.F./A.B./A.I.	825458-001	
62	MECH. SEAL ASSY. VITON B.F./A.B./A.I.	825458-003	

ITEM 62			
1 5/8" MECHANICAL SEAL ASSEMBLY			
ITEM NO.	DESCRIPTION	PART NUMBER	BAR CODE
62	MECH. SEAL ASSY. STD. B.F. & A.B.	811339-000	
62	MECH. SEAL ASSY. STD. A.I.	811866-000	
62	MECH. SEAL ASSY. VITON. B.F. & A.B.	819299-000	

**CLOSE COUPLED / MOTOR MOUNTED
PUMP PARTS
OLD STYLE VERTICAL
MODEL 4380**

ITEM 62			
1 5/8" MECHANICAL SEAL ASSEMBLY			
ITEM NO.	DESCRIPTION	PART NUMBER	BAR CODE
62	MECH. SEAL ASSY. STD. B.F.	825920-001	
62	MECH. SEAL ASSY. STD. A.I.	825920-002	

ITEM 62			
2 1/8" MECHANICAL SEAL ASSEMBLY			
ITEM NO.	DESCRIPTION	PART NUMBER	BAR CODE
62	MECH. SEAL ASSY. STD. B.F.	825921-001	
62	MECH. SEAL ASSY. STD. A.I.	825921-002	

**CLOSE COUPLED / MOTOR MOUNTED
PUMP PARTS
OLD STYLE VERTICAL
MODEL 4380**

ITEM 70 SHAFT SLEEVE				
MOTOR FRAME SIZE	SEAL SIZE	CONST.	PART NUMBER	BAR CODE
182C TO 256UC 143JM TO 215JM 254U TO 256U	1 1/4"	B.F. & A.B.	425869-001	
182C TO 256UC 143JM TO 215JM 254U TO 256U	1 1/4"	A.I.	425869-002	
284UC TO 405USC 254TCZ TO 326TCZ 254JP TO 365JP 284U TO 326U	1 5/8"	B.F. & A.B.	425869-021	
284UC TO 405USC 254TCZ TO 326TCZ 254JP TO 365JP 284U TO 326U	1 5/8"	A.I.	425869-022	

SHAFT SLEEVES CONTINUED ON PAGE 21

**CLOSE COUPLED / MOTOR MOUNTED
PUMP PARTS
OLD STYLE VERTICAL
MODEL 4380**

ITEM 70 SHAFT SLEEVE				
MOTOR FRAME SIZE	SEAL SIZE	CONST.	PART NUMBER	BAR CODE
213JP TO 215JP 254TCZ TO 326TCZ 254JP TO 326JP	1 3/4"	B.F. & A.B.	425869-023	
213JP TO 215JP 254TCZ TO 326TCZ 254JP TO 326JP	1 3/4"	A.I.	425869-024	
364JP TO 365JP 364TY TO 405TY	2 1/8"	B.F. & A.B.	425869-031	
364JP TO 365JP 364TY TO 405TY	2 1/8"	A.I.	425869-032	

**CLOSE COUPLED / MOTOR MOUNTED
PUMP PARTS
OLD STYLE VERTICAL
MODEL 4380**

ITEM 71 SHAFT SLEEVE SPACER				
MOTOR FRAME SIZE	SEAL SIZE	CONST.	PART NUMBER	BAR CODE
182C TO 256UC 143JM TO 215JM 254U TO 256U	1 1/4"	ALL	425868-001	
284UC TO 405USC 254TCZ TO 326TCZ 254JP TO 365JP 284U TO 326U	1 5/8"	ALL	425868-004	
213JP TO 215JP 254TCZ TO 326TCZ 254JP TO 326JP	1 3/4"	ALL	425868-002	
364JP TO 365JP 364TY TO 405TY	2 1/8"	ALL	425869-032	

SHAFT SLEEVE AND SPACER KITS ON PAGE 23

**CLOSE COUPLED / MOTOR MOUNTED
PUMP PARTS
OLD STYLE VERTICAL
MODEL 4380**

ITEMS 70 & 71 SHAFT SLEEVE & SPACER KIT				
MOTOR FRAME SIZE	SEAL SIZE	CONST.	PART NUMBER	BAR CODE
143T TO 215T 143JM TO 215JM 254U TO 256U	1 1/4"	BF-AB	835085-001	
143T TO 215T 143JM TO 215JM 254U TO 256U	1 1/4"	AI	835085-002	
254T TO 365T 254JP TO 365JP 284U TO 326U	1 5/8"	BF-AB	810150-152	
254T TO 365T 254JP TO 365JP 284U TO 326U	1 5/8"	AI	810150-153	

ITEM 39 WATER SLINGER		
FRAME SIZE	PART NUMBER	BAR CODE
143 TO 184	406622-000	
213 TO 326	411343-001	
364JP TO 405TY	411343-002	

CLOSE COUPLED / MOTOR MOUNTED

PUMP PARTS

OLD STYLE VERTICAL

MODEL 4380

ITEM 101 VOLUTE GASKET

PUMP SIZE	PART NUMBER	BAR CODE
1 1/4D TO 4D	106592-000	
1 1/4E TO 4E	406604-000	
6F TO 8FN	961131-451	
4GN - 6G TO 8GN	961131-455	

ITEM 103 VOLUTE CAPSCREW LOCKWASHER

FRAME SIZE	LOCKWASHER SIZE	NO. REQ'D	PART NUMBER	BAR CODE
213C TO 286JM	7/16"	8	927212-100	
284JP TO 405TY	1/2"	12	927213-100	

ITEM 104 VOLUTE CAPSCREW

PUMP SIZE	CAPSCREW SIZE	NO. REQ'D	PART NUMBER	BAR CODE
1 1/4D TO 4D	3/8-16NCX1"	8	911121-108	
1 1/4E TO 4E	7/16-14NCX1"	12	911123-108	
6F TO 8FN	1/2-13NCX1 1/4"	12	911125-310	
4GN - 6G TO 8GN	1/2-13NCX1 1/4"	18	911125-310	

CLOSE COUPLED / MOTOR MOUNTED
PUMP PARTS
 OLD STYLE VERTICAL
MODEL 4380

ITEM 43 MOTOR CAPSCREW LOCKWASHER				
MOTOR FRAME SIZE	LOCKWASHER SIZE	NO. REQ'D	PART NUMBER	BAR CODE
213C TO 286JM	1/2"	4	927213-100	
284JP TO 405TY	5/8"	4	927215-100	

ITEM 44 MOTOR CAPSCREW				
MOTOR FRAME SIZE	CAPSCREW SIZE	NO. REQ'D	PART NUMBER	BAR CODE
182C-184C 143JM-145JM 182JM-184JM	3/8-16NCX1 1/4"	4	911121-110	
213C-256UC 213JM-215JM 213JP-215JP 254TCZ-256TCZ 254JP-256JP 284UC-286UC 284TCZ-286TCZ 284JM-286JM	1/2-13NCX1 1/4"	4	911125-110	
284JP-286JP 324UC-405USC 324TCZ-326TCZ 324JP-326JP 364JP-365JP 364TY-365TY 404TY-405TY	5/8-11NCX1 1/4"	4	911129-110	

CLOSE COUPLED / MOTOR MOUNTED PUMP PARTS

OLD STYLE VERTICAL

MODEL 4380

FLUSH LINE COMPONENTS**

MALE ELBOW *						
PUMP NO.	NO.	MAT'L	SIZE	CONST.	PART NUMBER	BAR CODE
SIZE REQ'D						
ALL	1	BRASS	3/8" TUBE X 1/4" NPT	B.F. & A.B.	939003-109	
ALL	1	STEEL	3/8" TUBE X 1/4" NPT	A.I.	939003-209	

MALE CONNECTOR *						
PUMP NO.	NO.	MAT'L	SIZE	CONST.	PART NUMBER	BAR CODE
SIZE REQ'D						
ALL	1	BRASS	3/8" TUBE X 1/4" NPT	B.F. & A.B.	939001-114	
ALL	1	STEEL	3/8" TUBE X 1/4" NPT	A.I.	939001-214	

NOTES:

* PUMPS ORIGINALLY SUPPLIED WITH 1/4" TUBING FLUSH LINES, WHEN REPLACING FLUSH LINES OR COMPONENTS CHANGE TUBING AND FITTINGS TO 3/8" PER ABOVE PARTS LIST.

** B.F. Denotes "Bronze Fitted " construction. Parts in contact with pumped liquid are bronze or copper, except volute and cover plate.

A.I. Denotes "All Iron " construction. Parts in contact with the pumped liquid are cast iron or steel, except shaft sleeve & mechanical s

A.B. Denotes "All Bronze" construction. Parts in contact with the pumped liquid are bronze or stainless steel.

CLOSE COUPLED / MOTOR MOUNTED PUMP PARTS

OLD STYLE VERTICAL

MODEL 4380

FLUSH LINE COMPONENTS**

FLUSH LINE TUBING**						
PUMP SIZE	TUBING SIZE	NO. REQ'D	LENGTH	CONST.	PART NUMBER	BAR CODE
1 1/2D TO 4D AND 1 1/2E TO 4E	3/8" OD	1	12"LG.	B.F. - A.B.	997531-004	
				A.I.	997153-004	
4GN 6F TO 6FN 6G TO 6GN	3/8" OD	1	16"LG.	B.F. - A.B.	997531-004	
				A.I.	997153-004	
8F TO 8FN AND 8G TO 8GN	3/8" OD	1	24"LG.	B.F. - A.B.	997531-004	
				A.I.	997153-004	

NOTES:

* B.F. Denotes "Bronze Fitted " construction. Parts in contact with pumped liquid are bronze or copper, except volute and cover plate.

A.I. Denotes "All Iron " construction. Parts in contact with the pumped liquid are cast iron or steel, except shaft sleeve & mechanical seal.

A.B. Denotes "All Bronze" construction. Parts in contact with the pumped liquid are bronze or stainless steel.

**** PUMPS ORIGINALLY SUPPLIED WITH 1/4" TUBING FLUSH LINES, WHEN REPLACING FLUSH LINES OR COMPONENTS CHANGE TUBING AND FITTINGS TO 3/8" PER ABOVE PARTS LIST.**