



**Series 4302 IVS Design Envelope**  
**Models: 06CB4, 06CC4, 06CD4**

**06C\_4**

FILE NO: 100.570  
 DATE: Feb. 09, 2009  
 SUPERSEDES: New  
 DATE: New

**SUBMITTAL**

JOB: \_\_\_\_\_ REPRESENTATIVE: \_\_\_\_\_  
 \_\_\_\_\_  
 \_\_\_\_\_  
 ENGINEER: \_\_\_\_\_ ORDER NO: \_\_\_\_\_ DATE: \_\_\_\_\_  
 SUBMITTED BY: \_\_\_\_\_ DATE: \_\_\_\_\_  
 CONTRACTOR: \_\_\_\_\_ APPROVED BY: \_\_\_\_\_ DATE: \_\_\_\_\_

PUMP DESIGN DATA			
NO. OF PUMPS:			
TAG:			
CAPACITY:	USgpm (L/s)	HEAD:	ft. (m)
LIQUID:		VISCOSITY:	
TEMPERATURE:	°F (°C)	SPECIFIC GRAVITY:	

MOTOR DESIGN DATA		
HP:		
FRAME SIZE:	ENCLOSURE:	
VOLTS:	HERTZ: 60 Hz	Phase: 3
EFFICIENCY: NEMA PREMIUM		
FLANGE SIZE:	SUCTION6" (150 mm)	DISCHARGE: 6" (150 mm)

DESIGN ENVELOPE CAPABILITY DATA					
MODEL	FLOW USgpm (Lps)	HEAD ft (m)	EFF%	MOTOR HP	RPM
<input type="checkbox"/> 06CB4	216 (13.6)	13 (4.0)	82.8	1.5	1205
<input type="checkbox"/> 06CC4	260 (16.4)	19 (5.8)	82.8	2	1450
<input type="checkbox"/> 06CD4	327 (20.6)	30 (9.1)	82.8	3	1824

DRIVE DATA	
SENSORLESS CONTROL:	<input type="checkbox"/> REQUIRED <input type="checkbox"/> NOT REQUIRED
*MINIMUM SYSTEM PRESSURE TO BE MAINTAINED _____ ft (m)	
FIELD BUS PROTOCOL: <input type="checkbox"/> ModBUS RTU (standard) <input type="checkbox"/> LonWorks <input type="checkbox"/> BACnet	
VFD BRIDGE: <input type="checkbox"/> Automatic Standby - Alternation Control	
ENCLOSURE: UL Type 12	
EMI/RFI CONTROL: Integrated Filter designed to meet EN61800-3	
HARMONIC SUPPRESSION: Integrated DC Link Reactors (<5% THD)	
COOLING: Fan-cooled through back channel	
AMBIENT TEMPERATURE: -10°C to +45°C up to 1000 meters above sea level (-14°F TO +113°F, 3280ft)	
ANALOG INPUTS: 2, current or voltage	
ANALOG OUTPUTS: 1, current	
DIGITAL INPUTS: 4 Programmable	
DIGITAL OUTPUTS: 2 Programmable (can be configured as additional digital inputs)	
PULSE INPUTS: 2 Programmable	
RELAY OUTPUTS: 2 Programmable	
COMMUNICATION PORT: RS 485	

MATERIALS OF CONSTRUCTION		
ANSI FLANGE RATING	<input type="checkbox"/> 125 lb. CAST IRON	<input type="checkbox"/> 250 lb. DUCTILE IRON
CONSTRUCTION	<input type="checkbox"/> BF	<input type="checkbox"/> DBF
CASING	CAST IRON	DUCTILE IRON
IMPELLER	BRONZE	BRONZE
FLUSH LINE	COPPER	COPPER
PUMP SHAFT	416 STAINLESS STEEL	
COUPLING	HIGH TENSILE ALUMINUM	
GASKET	CONFINED NON-ASBESTOS	

MAXIMUM PUMP OPERATING CONDITIONS	
125 lb. CAST IRON	250 lb. DUCTILE IRON
175 psig at 140°F (12 bars at 60°C) 100 psig at 300°F (7 bars at 149°C)	375 psig at 100°F (26 bars at 38°C) 275 psig at 500°F (19 bars at 260°C)
SEE FILE NO. 43.50 FOR MAXIMUM SEAL OPERATING CONDITIONS	

MECHANICAL SEAL DESIGN DATA
See File No. 43.50 for standard mechanical
Armstrong Seal Reference Number
<input type="checkbox"/> C1 (a) Other _____

SEAL DATA OPTIONS

OPTIONAL EQUIPMENT
SEE FILE NO. 43.50 FOR ENVIRONMENTAL ACCESSORIES

CHASSIS SIZE:				
MODEL	hp	VFD Chassis Size		
		200V-240V	380V-480V	600V
06CB4	1.5	A5	A5	A5
06CC4	2	A5	A5	A5
06CD4	3	A5	A5	A5

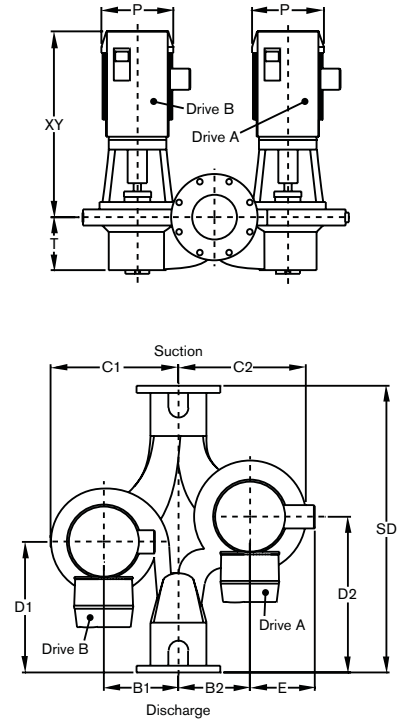
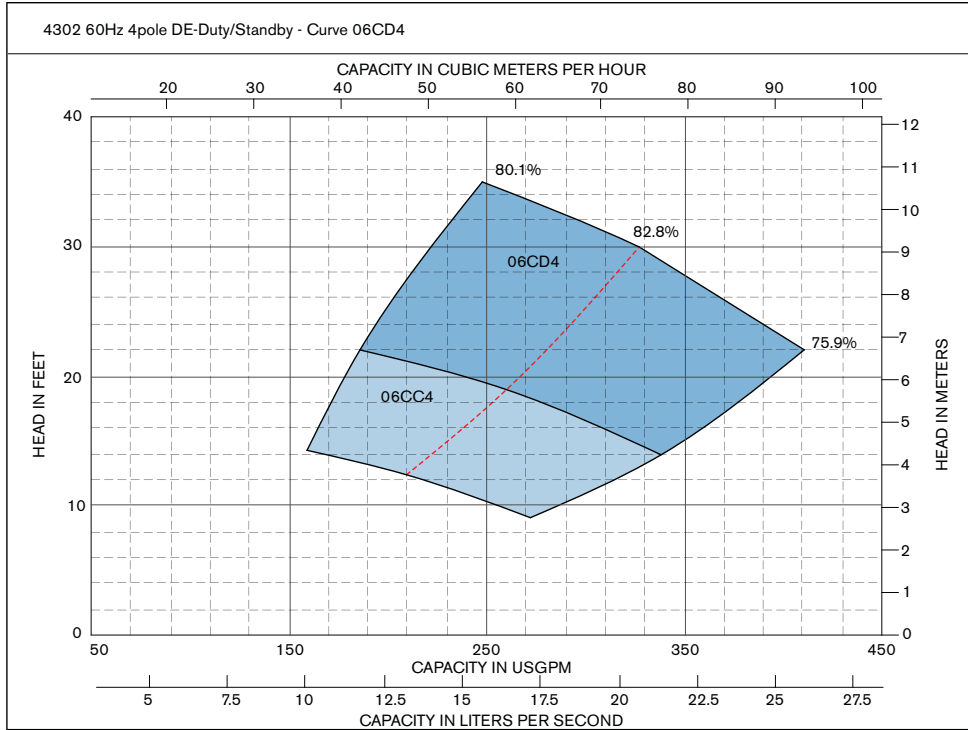
\*If minimum maintained system pressure is not known: Default to 40% of design head



# Series 4302 IVS Design Envelope

Models: 06CB4, 06CC4, 06CD4

# 06C\_4



## DIMENSION DATA - inches (mm)

Curve No.	Size	Power (HP)	Motor Frame		C1	C2	D1	D2	B1	B2	T	SD	ODP motors with UL Type 12 drives			TEFC motors with UL Type 12 drives			Weight in lbs (Kg)	
			ODP	TEFC									P	E	XY	P	E	XY	ODP	TEFC
06CB4	6X6X6	1.5	145TC	145TC	13.63 (346)	14.31 (363)	16.81 (427)	16.81 (427)	7.39 (188)	7.39 (188)	7.75 (197)	33.50 (851)	8.63 (219)	4.12 (105)	22.28 (566)	7.28 (185)	6.09 (155)	20.78 (528)	480 (217.7)	480 (217.7)
06CC4	6X6X6	2	145TC	145TC	13.63 (346)	14.31 (363)	16.81 (427)	16.81 (427)	7.39 (188)	7.39 (188)	7.75 (197)	33.50 (851)	8.63 (219)	4.12 (105)	22.28 (566)	7.28 (185)	6.09 (155)	20.78 (528)	480 (217.7)	480 (217.7)
06CD4	6X6X6	3	182TC	182TC	13.63 (346)	14.31 (363)	16.81 (427)	16.81 (427)	7.39 (188)	7.39 (188)	7.75 (197)	33.50 (851)	10.38 (264)	6.84 (174)	26.79 (680)	9.56 (243)	7.50 (191)	26.67 (677)	510 (231.3)	530 (240.4)

- COUPLING GUARD (NOT SHOWN) IS SUPPLIED.
- TOLERANCE OF  $\pm 0.125"$  ( $\pm 3$  mm) SHOULD BE USED.
- FOR EXACT INSTALLATION DATA PLEASE WRITE FACTORY FOR CERTIFIED DIMENSIONS.
- PUMP EQUIPPED WITH CASING DRAIN PLUG AND 1/4" NPT SUCTION AND DISCHARGE GAUGE PORTS

S. A. Armstrong Limited  
 23 Bertrand Avenue  
 Toronto, Ontario  
 Canada, M1L 2P3  
 T: (416) 755-2291  
 F (Main): (416) 759-9101

Armstrong Pumps Inc.  
 93 East Avenue  
 North Tonawanda, New York  
 U.S.A. 14120-6594  
 T: (716) 693-8813  
 F: (716) 693-8970

Armstrong Holden Brooke Pullen  
 Wenlock Way  
 Manchester  
 United Kingdom, M12 5JL  
 T: +44 (0) 161 223 2223  
 F: +44 (0) 161 220 9660



© S.A. Armstrong Limited 2009

For Armstrong locations worldwide, please visit [www.armstrongpumps.com](http://www.armstrongpumps.com)