



Series 4302 IVS Design Envelope

Models: 08DG4, 08DH4, 08DI4

| | |
|-------------|---------------|
| FILE NO: | 100.582 |
| DATE: | Feb. 09, 2009 |
| SUPERSEDES: | New |
| DATE: | New |

08D_4

SUBMITTAL

| | |
|-------------------|---------------------------------|
| JOB: _____ | REPRESENTATIVE: _____ |
| ENGINEER: _____ | ORDER NO: _____ DATE: _____ |
| CONTRACTOR: _____ | SUBMITTED BY: _____ DATE: _____ |
| | APPROVED BY: _____ DATE: _____ |

| PUMP DESIGN DATA | | | |
|------------------|-------------|-------------------|---------|
| NO. OF PUMPS: | | | |
| TAG: | | | |
| CAPACITY: | USgpm (L/s) | HEAD: | ft. (m) |
| LIQUID: | VISCOSITY: | | |
| TEMPERATURE: | °F (°C) | SPECIFIC GRAVITY: | |

| MOTOR DESIGN DATA | | | |
|--------------------------|--------------------|------------------------|--|
| HP: | | | |
| FRAME SIZE: | ENCLOSURE: | | |
| VOLTS: | HERTZ: 60 Hz | Phase: 3 | |
| EFFICIENCY: NEMA PREMIUM | | | |
| FLANGE SIZE: | SUCTION8" (200 mm) | DISCHARGE: 8" (200 mm) | |

| DESIGN ENVELOPE CAPABILITY DATA | | | | | |
|---------------------------------|---------------------|----------------|------|-------------|------|
| MODEL | FLOW Usgpm (Lps) | HEAD ft (m) | EFF% | MOTOR HP | RPM |
| <input type="checkbox"/> 08DG4 | 653 (41.2) | 20 (6.0) | 83.7 | 7.5 | 1135 |
| <input type="checkbox"/> 08DH4 | 789 (49.7) | 29 (8.8) | 83.7 | 10 | 1375 |
| <input type="checkbox"/> 08DI4 | 1023 (64.5) | 49 (14.8) | 83.7 | 15 | 1777 |

| DRIVE DATA | |
|--|---|
| SENSORLESS CONTROL: | <input type="checkbox"/> REQUIRED <input type="checkbox"/> NOT REQUIRED |
| *MINIMUM SYSTEM PRESSURE TO BE MAINTAINED _____ ft (m) | |
| FIELD BUS PROTOCOL: <input type="checkbox"/> ModBUS RTU (standard) <input type="checkbox"/> LonWorks <input type="checkbox"/> BACnet | |
| VFD BRIDGE: <input type="checkbox"/> Automatic Standby - Alternation Control | |
| ENCLOSURE: UL Type 12 | |
| EMI/RFI CONTROL: Integrated Filter designed to meet EN61800-3 | |
| HARMONIC SUPPRESSION: Integrated DC Link Reactors (<5% THD) | |
| COOLING: Fan-cooled through back channel | |
| AMBIENT TEMPERATURE: -10°C to +45°C up to 1000 meters above sea level (-14°F TO +113°F, 3280ft) | |
| ANALOG INPUTS: 2, current or voltage | |
| ANALOG OUTPUTS: 1, current | |
| DIGITAL INPUTS: 4 Programmable | |
| DIGITAL OUTPUTS: 2 Programmable (can be configured as additional digital inputs) | |
| PULSE INPUTS: 2 Programmable | |
| RELAY OUTPUTS: 2 Programmable | |
| COMMUNICATION PORT: RS 485 | |

| MATERIALS OF CONSTRUCTION | | |
|---------------------------|--|---|
| ANSI FLANGE RATING | <input type="checkbox"/> 125 lb. CAST IRON | <input type="checkbox"/> 250 lb. DUCTILE IRON |
| CONSTRUCTION | <input type="checkbox"/> BF | <input type="checkbox"/> DBF |
| CASING | CAST IRON | DUCTILE IRON |
| IMPELLER | BRONZE | BRONZE |
| FLUSH LINE | COPPER | COPPER |
| PUMP SHAFT | 416 STAINLESS STEEL | |
| COUPLING | HIGH TENSILE ALUMINUM | |
| GASKET | CONFINED NON-ASBESTOS | |

| MAXIMUM PUMP OPERATING CONDITIONS | |
|--|---|
| 125 lb. CAST IRON | 250 lb. DUCTILE IRON |
| 175 psig at 140°F (12 bars at 60°C) 100 psig at 300°F (7 bars at 149°C) | 375 psig at 100°F (26 bars at 38°C) 275 psig at 500°F (19 bars at 260°C) |
| SEE FILE NO. 43.50 FOR MAXIMUM SEAL OPERATING CONDITIONS | |

| MECHANICAL SEAL DESIGN DATA |
|---|
| See File No. 43.50 for standard mechanical |
| Armstrong Seal Reference Number |
| <input type="checkbox"/> C1 (a) Other _____ |

| SEAL DATA OPTIONS |
|-------------------|
| |

| OPTIONAL EQUIPMENT |
|--|
| |
| SEE FILE NO. 43.50 FOR ENVIRONMENTAL ACCESSORIES |

| CHASSIS SIZE: | | | | |
|---------------|-----|------------------|-----------|------|
| MODEL | hp | VFD Chassis Size | | |
| | | 200V-240V | 380V-480V | 600V |
| 08DG4 | 7.5 | B1 | A5 | A5 |
| 08DH4 | 10 | B1 | A5 | A5 |
| 08DI4 | 15 | B1 | B1 | B1 |

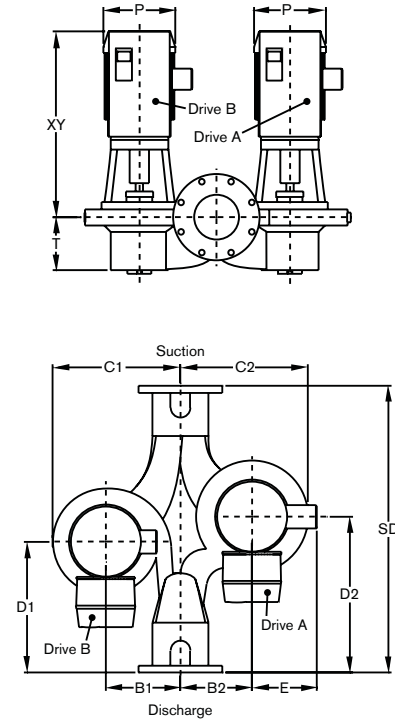
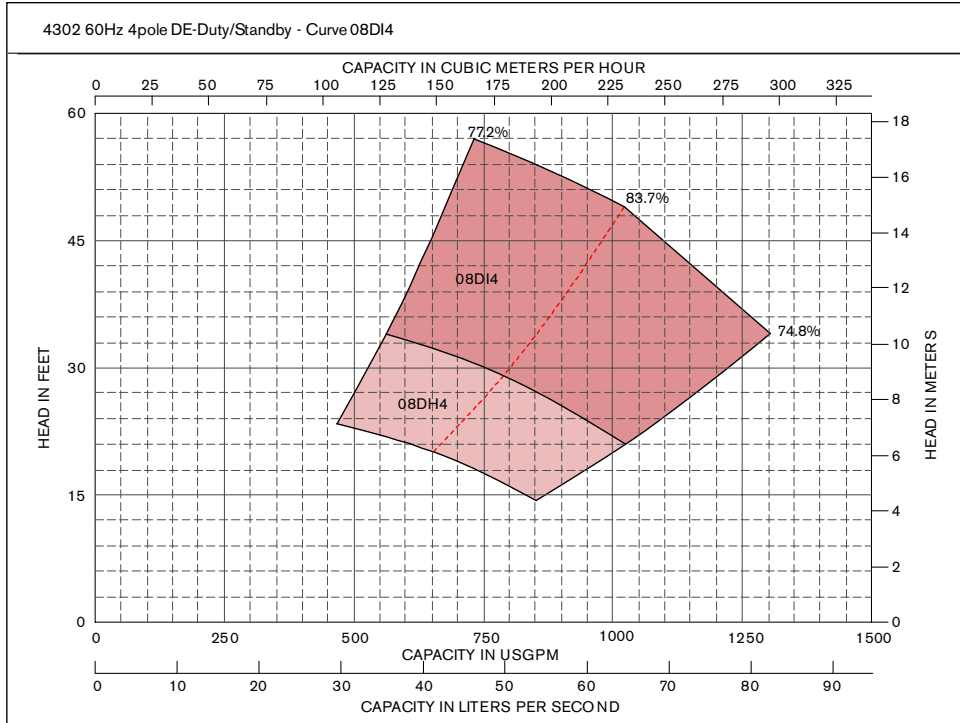
*If minimum maintained system pressure is not known: Default to 40% of design head



Series 4302 IVS Design Envelope

Models: 08DG4, 08DH4, 08DI4

08D_4



DIMENSION DATA - inches (mm)

| Curve No. | Size | Power (HP) | Motor Frame | | C1 | C2 | D1 | D2 | B1 | B2 | T | SD | ODP motors with UL Type 12 drives | | | TEFC motors with UL Type 12 drives | | | Weight in lbs (Kg) | |
|-----------|-------|------------|-------------|-------|-------------|-------------|-------------|-------------|-------------|------------|------------|--------------|-----------------------------------|------------|-------------|------------------------------------|------------|-------------|--------------------|-------------|
| | | | ODP | TEFC | | | | | | | | | P | E | XY | P | E | XY | ODP | TEFC |
| 08DG4 | 8X8X8 | 7.5 | 213TC | 213TC | 18.50 (470) | 18.60 (472) | 18.50 (470) | 23.00 (584) | 10.00 (254) | 9.00 (229) | 9.46 (240) | 45.50 (1156) | 12.13 (308) | 7.59 (193) | 28.63 (727) | 11.25 (286) | 8.25 (210) | 29.57 (751) | 680 (308.4) | 710 (322.0) |
| 08DH4 | 8X8X8 | 10 | 215TC | 215TC | 18.50 (470) | 18.60 (472) | 18.50 (470) | 23.00 (584) | 10.00 (254) | 9.00 (229) | 9.46 (240) | 45.50 (1156) | 12.13 (308) | 7.59 (193) | 28.63 (727) | 11.25 (286) | 8.25 (210) | 29.57 (751) | 700 (317.5) | 740 (335.6) |
| 08DI4 | 8X8X8 | 15 | 254TC | 254TC | 18.50 (470) | 18.60 (472) | 18.50 (470) | 23.00 (584) | 10.00 (254) | 9.00 (229) | 9.46 (240) | 45.50 (1156) | 13.38 (340) | 9.94 (252) | 34.63 (880) | 13.38 (340) | 8.90 (226) | 34.69 (881) | 800 (362.8) | 880 (399.1) |

- COUPLING GUARD (NOT SHOWN) IS SUPPLIED.
- TOLERANCE OF ±0.125" (±3 mm) SHOULD BE USED.
- FOR EXACT INSTALLATION DATA PLEASE WRITE FACTORY FOR CERTIFIED DIMENSIONS.
- PUMP EQUIPPED WITH CASING DRAIN PLUG AND 1/4" NPT SUCTION AND DISCHARGE GAUGE PORTS

S. A. Armstrong Limited
 23 Bertrand Avenue
 Toronto, Ontario
 Canada, M1L 2P3
 T: (416) 755-2291
 F (Main): (416) 759-9101

Armstrong Pumps Inc.
 93 East Avenue
 North Tonawanda, New York
 U.S.A. 14120-6594
 T: (716) 693-8813
 F: (716) 693-8970

Armstrong Holden Brooke Pullen
 Wenlock Way
 Manchester
 United Kingdom, M12 5JL
 T: +44 (0) 161 223 2223
 F: +44 (0) 161 220 9660



© S.A. Armstrong Limited 2009

For Armstrong locations worldwide, please visit www.armstrongpumps.com