



CONDENSATE RETURN UNIT

Unicon Type #1

FILE NO.:	45.50
DATE:	MAY 15, 1997
SUPERSEDES:	NEW
DATE:	NEW

SUBMITTAL

Job: _____	Representative: _____
_____	_____
_____	_____
Engineer: _____	Order No: _____ Date: _____
Contractor: _____	Submitted by: _____ Date: _____
	Approved by: _____ Date: _____

PUMP DESIGN DATA	
MODEL:	<input type="checkbox"/> SIMPLEX <input type="checkbox"/> DUPLEX
MODEL NO.:	TAG: _____
CAPACITY USGPM	HEAD: _____ FT
DISCHARGE SIZE:	<input type="checkbox"/> 1" NPT <input type="checkbox"/> 1-1/2" NPT
TEMPERATURE:	°F _____

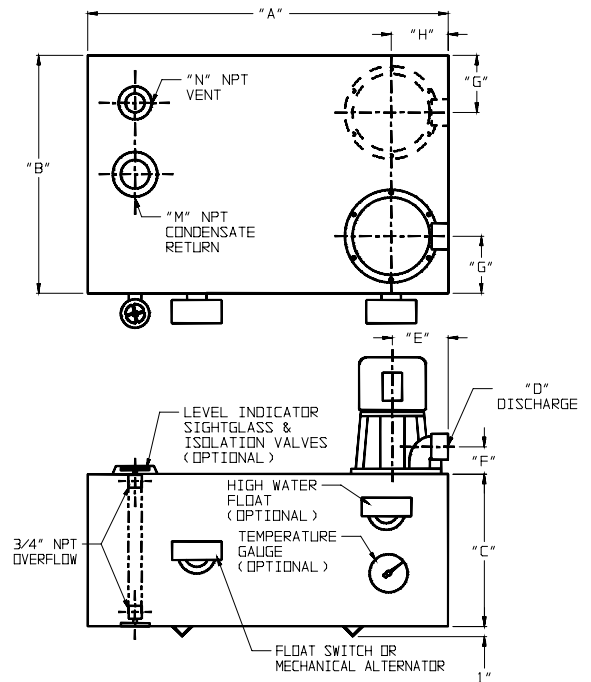
MOTOR DESIGN DATA	
HP:	RPM: 3600
FRAME SIZE: 56C	ENCLOSURE ODP
VOLTS: _____ HERTZ: 60	PHASE: _____

MATERIALS OF CONSTRUCTION	
IMPELLER	BRONZE
CASING	CAST IRON
TANK	CARBON STEEL
TANK GASKET	RUBBER
SHAFT	STAINLESS STEEL
PUMP BEARING	GRAPHALLOY
PUMP SEAL	GRAPHITE PACKING
LEVEL CONTROL DEVICE	<input type="checkbox"/> FLOAT SWITCH (SIMPLEX) <input type="checkbox"/> MECHANICAL ALTERNATOR (DUPLEX)

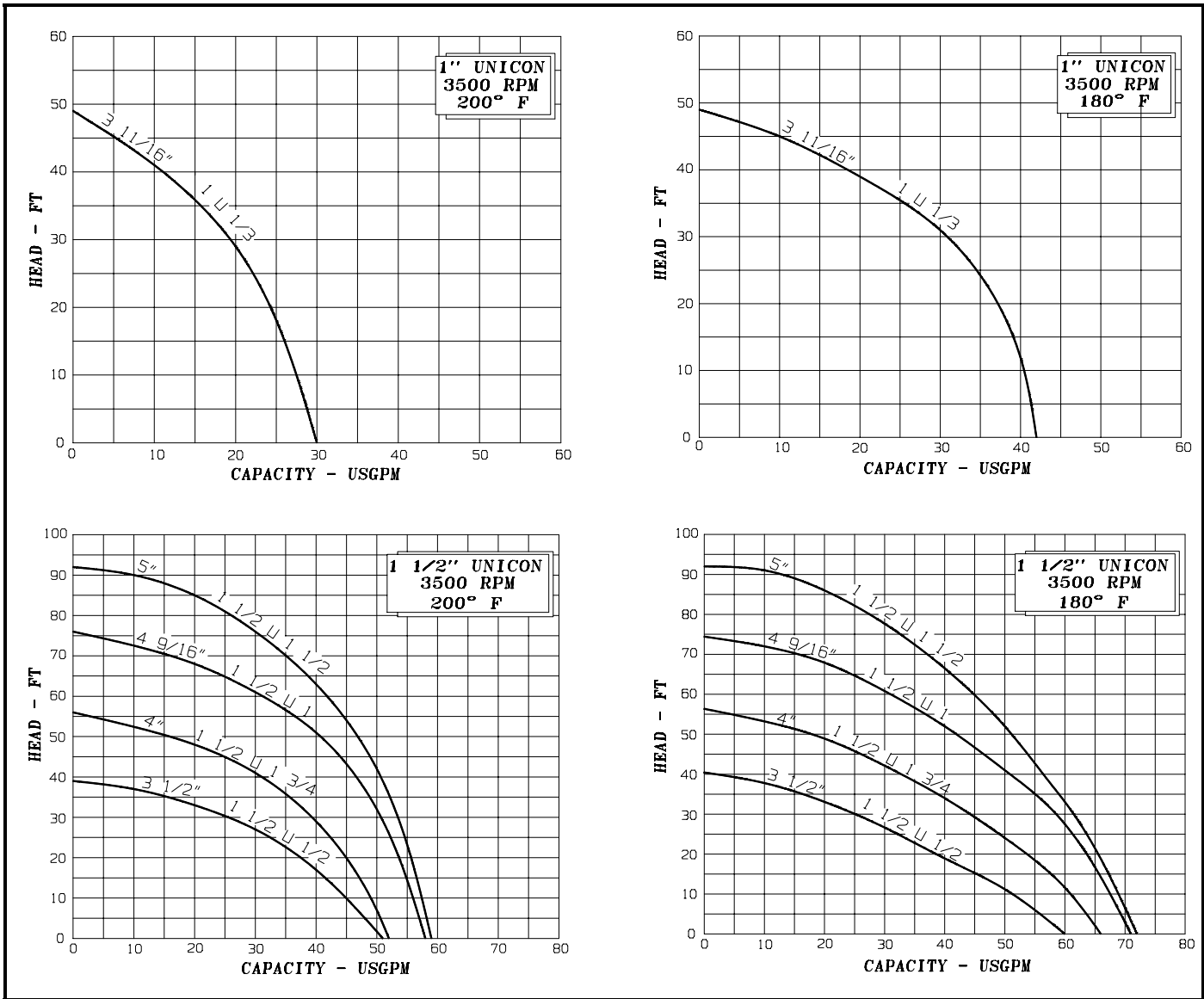
OPTIONAL ACCESSORIES	
<input type="checkbox"/>	TEMPERATURE GAUGE
<input type="checkbox"/>	LEVEL INDICATOR SIGHT GLASS & ISOLATION VALVES
<input type="checkbox"/>	HIGH LEVEL FLOAT

NOTES

- PUMP IN DOTTED LINES IS SHOWN FOR DUPLEX ARRANGEMENT
- ALL UNITS, EXCEPT 9 USG UNITS, HAVE OPENINGS IN COVER FOR FUTURE SECOND PUMP
- FLOAT SWITCHES ARE WIRED TO MOTORS ON SINGLE PHASE UNITS ONLY
- OPTIONAL HIGH WATER FLOAT REQUIRES AUDIBLE OR VISUAL INDICATOR.



RECEIVER CAPACITY (GALLONS)	DIMENSIONS								CONNECTION		WEIGHT (lbs)	
	A	B	C	D	E	F	G	H	M	N	SIMPLEX	DUPLEX
9	19"	13"	10 1/2"	1"	4"	1 3/4"	4"	4"	1 1/4"	2"	91	--
40	36"	24"							1 1/2"		229	280
65	38"	25"	16"	1 1/2"	5 7/8"	2 7/8"	6"	6"	3"		390	491
100	48"	30"							14"		545	646



S.A. Armstrong Limited
 23 Bertrand Avenue
 Toronto, Ontario
 Canada, M1L 2P3
 Tel: (416) 755-2291
 Fax: (416) 759-9101

Armstrong Pumps Limited
 Peartree Road, Stanway
 Colchester, Essex
 United Kingdom, C03 5JX
 Tel: 01206-579491
 Fax: 01206-760532



Armstrong Pumps Inc.
 93 East Avenue
 Buffalo, New York
 U.S.A. 14120-6594
 Tel: (716) 693-8813
 Fax: (716) 693-8970

Armstrong Darling Inc.
 2200 Place Transcanadienne
 Montreal, Quebec
 Canada, H9P 2X5
 Tel: (514) 421-2424
 Fax: (514) 421-2436