



**SERIES 5300  
GRINDER 5330  
SUBMERSIBLE PUMP**

FILE No.:	53.533
DATE:	December 1, 1998
SUPERSEDES:	NEW
DATE:	NEW

**SUBMITTAL**

JOB: _____	REPRESENTATIVE: _____
_____	_____
_____	_____
ENGINEER: _____	ORDER No: _____ DATE: _____
CONTRACTOR: _____	SUBMITTED BY: _____ DATE: _____
	APPROVED BY: _____ DATE: _____

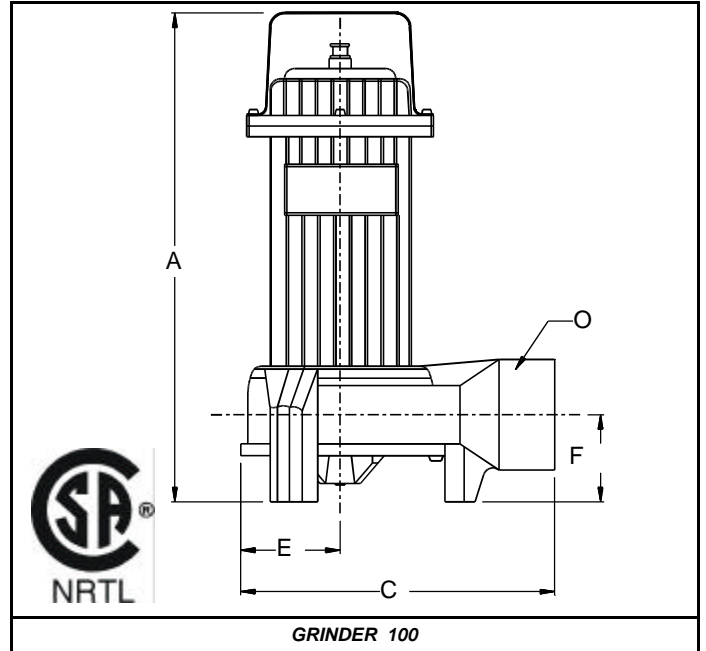
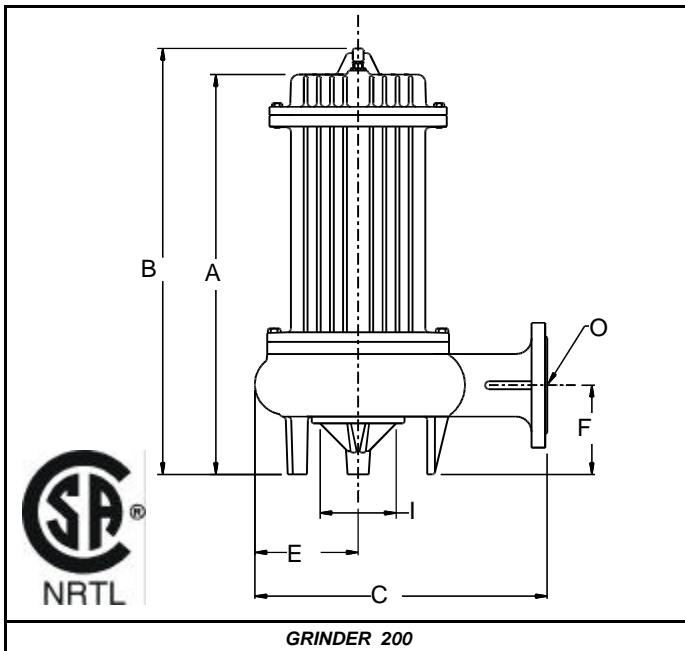
PUMP DESIGN DATA			
No. OF PUMPS:			
TAG:			
CAPACITY:	USGPM (m <sup>3</sup> /h, l/s)	HEAD:	(ft. m)
APPROVAL:	CSA & NRTL		

MATERIALS OF CONSTRUCTION	
PUMP CASING	CAST IRON
IMPELLER:	CAST IRON - MULTIVANE
HARDWARE:	STAINLESS STEEL AISI 416
SEAL:	1 VITON DOUBLE LIP SEAL 1 SILICON CARBIDE MECHANICAL
BEARINGS:	PERMANENTLY GREASED BALL BEARINGS

MOTOR DESIGN DATA	
RUN CAPACITOR BUILT IN (SINGLE PHASE ONLY)	
ENERGY EFFICIENT	
OIL FREE - ENVIRONMENTALLY FRIENDLY	
THERMAL OVERLOAD PROTECTED (SINGLE PHASE ONLY)	
POWER CORD:	21 FT. SJOW (SINGLE Ph) 21 FT. SOW (THREE Ph)
INSULATION CLASS:	CLASS F (311° F) FOR 1HP CLASS H (354° F) FOR 2HP

REMARKS

PUMP OPERATING CONDITIONS	
OPERATION:	<input type="checkbox"/> AUTOMATIC <input type="checkbox"/> MANUAL
OPERATING TEMPERATURE:	176°F - INTERMITTANT 104°F - CONTINUOUS



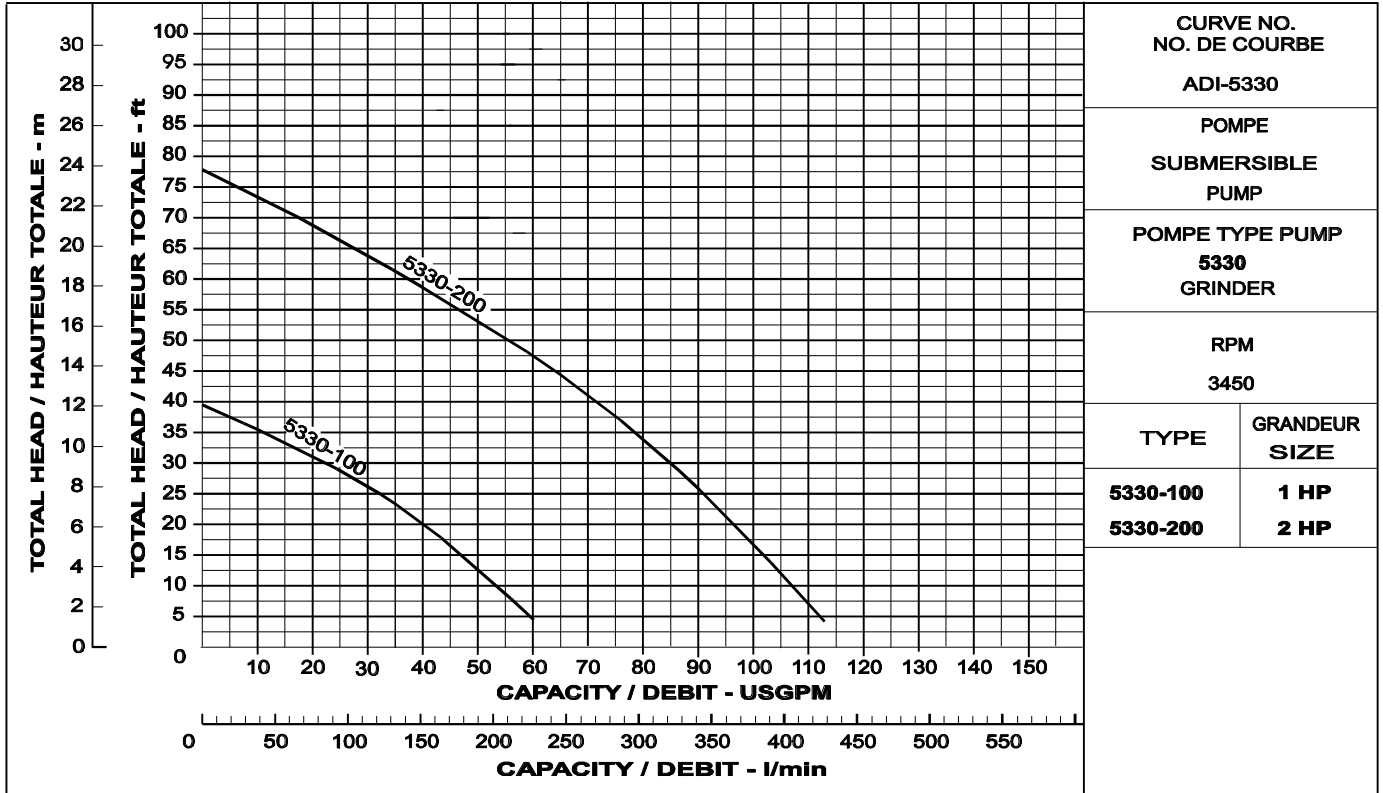
PUMP TYPE GRINDER	DIMENSIONS (ins)						
	A	B	C	E	F	I	O
5330-100	12 5/8	14	8 1/16	3 1/4	2 1/4	2	1 1/2
5330-200	13 11/16	15 3/8	9 3/8	3 1/2	3	2	2



**SERIES 5300**  
**GRINDER 5330**  
 SUBMERSIBLE PUMP

FILE No.:	53.533
DATE:	December 1, 1998
SUPERSEDES:	NEW
DATE:	NEW

**PERFORMANCE CURVES**



PUMP TYPE	CAPACITY @ TOTAL HEAD												FLA				
	USGPM <i>l/min</i>	0	10	20	30	40	50	60	80	100	120	140	VOLTAGE				
GRINDER		0	38	76	114	151	189	227	304	378	454	530	115/1/60	230/1/60	230/3/60	460/3/60	575/3/60
5330-100	ft <i>m</i>	40 12.2	35 10.7	31 9.5	26 7.9	20 6.1	14 4.3	5 1.5					13.7	6.8	3.5	1.7	1.4
5330-200	ft <i>m</i>	78 23.8	73 22.3	68 20.7	63 19.2	58 17.7	54 16.5	47 14.3	38 11.6	17 5.2				10.5	7.2	3.6	2.9

**S.A. Armstrong Limited**  
 23 Bertrand Avenue  
 Toronto, Ontario  
 Canada, M1L 2P3  
 Tel: (416) 755-2291  
 Fax: (416) 759-9101

**Armstrong Pumps Limited**  
 Peartree Road, Stanway  
 Colchester, Essex  
 United Kingdom, C03 5JX  
 Tel: 01206-579491  
 Fax: 01206-760532



**Armstrong Pumps Inc.**  
 93 East Avenue  
 Buffalo, New York  
 U.S.A. 14120-6594  
 Tel: (716) 693-8813  
 Fax: (716) 693-8970

**Armstrong Darling Inc.**  
 2200 Place Transcanadienne  
 Montreal, Quebec  
 Canada, H9P 2X5  
 Tel: (514) 421-2424  
 Fax: (514) 421-2436

