

CONSTANT SPEED BOOSTER CONTROL PANEL | TRIPLEX BOOSTER - EQUAL SIZE PUMPS | SUBMITTAL

File No: 62.623
Date: AUGUST 14, 2013
Supersedes: NEW
Date: NEW

CONTROL PANEL STANDARD FEATURES

- NEMA 1 enclosure
- Thermomagnetic fuseless motor protector (Internal circuit breaker - thermal & short circuit protection)
- Main disconnect interlocked with door
- Motor circuit protected for each pump
- Electric current pump sequencing with adjustable set point, off delay timers
- Terminal strip connections for all external devices
- PLC
- HMI interface panel mounted on door
- 120 volt control transformer with fused primary and secondary circuits
- All panel s are UL-508 labeled or CSA approved
- Automatic rotation of duty pumps:
 - Following any fault
 - On a time adjusted basis
 - At the start of a new sequence
- Automatic mission of failed pump from sequence
- Pump fault output
- Password protected menu screens
- Standby pump selection
- No flow shutdown
- Alarm management displays:
 - Low level shutdown alarm
 - Discharge pressure sensor failure alarm
 - Low discharge pressure shutdown alarm
 - High discharge pressure shutdown alarm

CONTROL PANEL AVAILABLE OPTIONS

Control enclosures:

- A NEMA type 12 painted steel enclosure
- AB NEMA type 4 painted steel enclosure
- AA NEMA type 3R painted steel enclosure

Remote indication contacts:

- AJ Motor overload NO/NC dry contact set

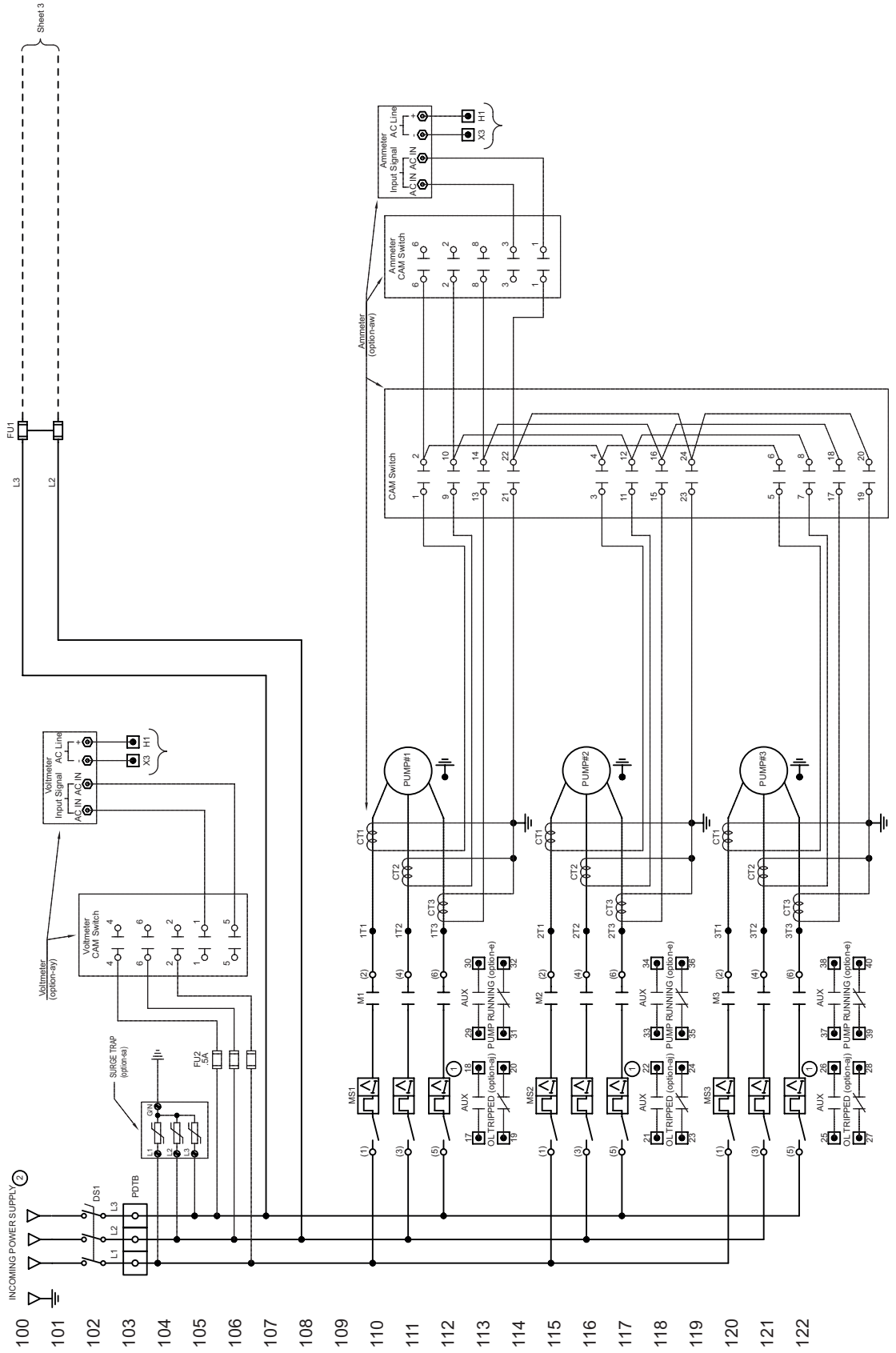
Alarms:

- H Alarm buzzer with silencing relay
- Q Low sys. press., next pump starts, manual reset, w/lamp
- AE Low suction level shutdown (SPDT level switch by others)

Other modifications:

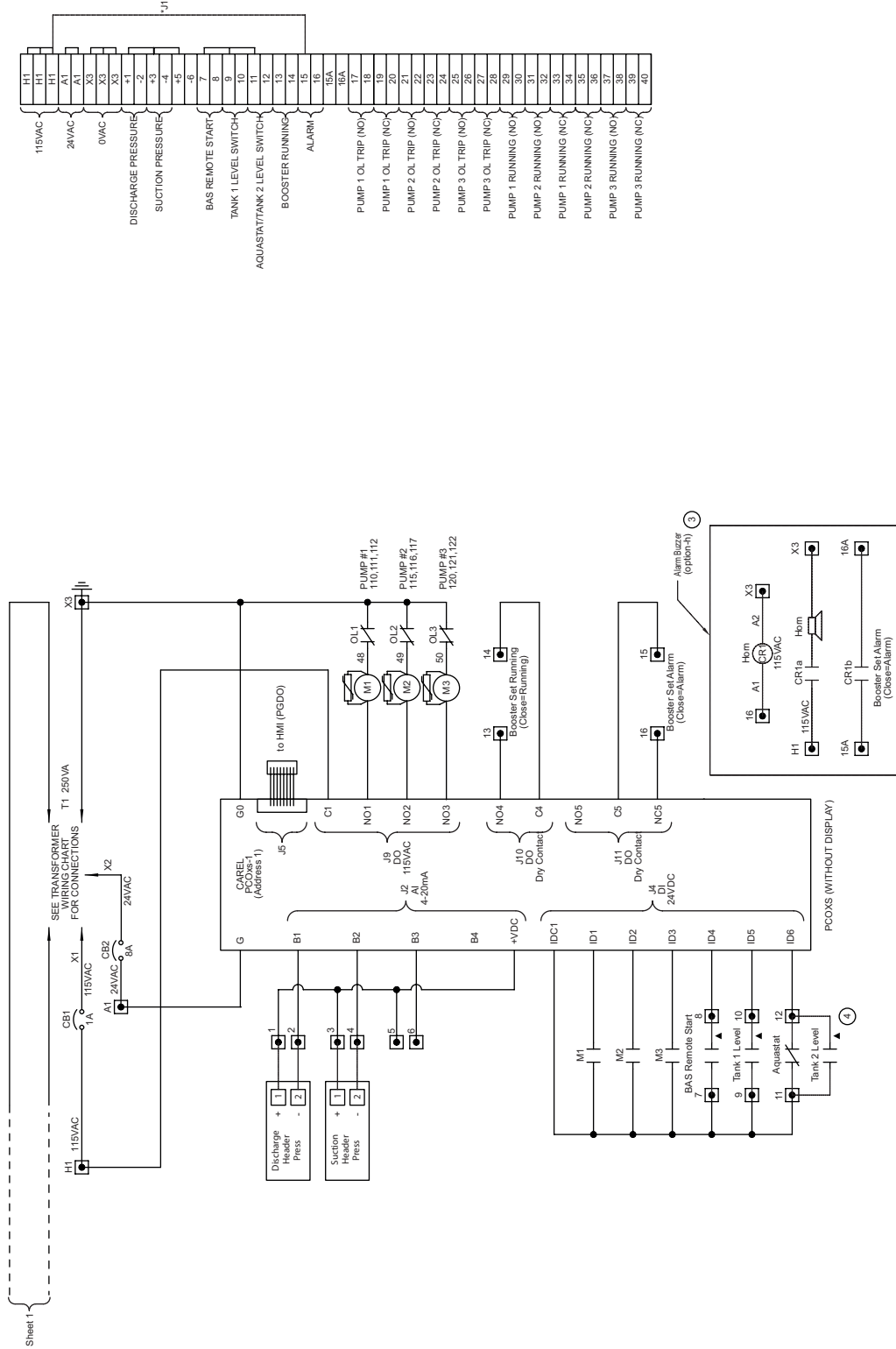
- AR Locking Handle c/w 2 keys
- AW Ammeter 3 phase c/w selector switch
- AY Voltmeter 3 phase c/w selector switch
- AL Motor overload reset push button(s). Door mounted

CONSTANT SPEED BOOSTER WIRING DIAGRAM 3-PUMP



NOTES:

- ① - TERMINAL POINT
- ▲ - REMOTE DEVICE (BY OTHERS)
- ② - SET OVERLOAD TO MOTOR NAMEPLATE FLA.
- ③ - CUSTOMER MUST PROVIDE BRANCH-CIRCUIT PROTECTION.
- ④ - IF OPTIONAL ALARM HORN IS SELECTED DIGITAL OUTPUT IS RECONFIGURED FOR TSVAC OUTPUT.
- ⑤ - IF AQUASTAT IS NOT REQUIRED, INPUT MAY BE CONFIGURED IN HMI FOR TANK 2 LEVEL INDICATOR.
- ⑥ - ALL PANELS TO BE MANUFACTURED AND LABELED IN ACCORDANCE WITH UL/CSUL508 OR OPTIONAL CSA.



- 200 Sheet
- 201 SEE TRANSFORMER WIRING CHART FOR CONNECTIONS
- 202 T1 250VA
- 203 X3
- 204 H1 115VAC
- 205 X1 115VAC
- 206 X2 24VAC
- 207 X4 24VAC
- 208 X5 0VAC
- 209 X6 0VAC
- 210 X7 0VAC
- 211 X8 0VAC
- 212 X9 0VAC
- 213 X10 0VAC
- 214 X11 0VAC
- 215 X12 0VAC
- 216 X13 0VAC
- 217 X14 0VAC
- 218 X15 0VAC
- 219 X16 0VAC
- 220 X17 0VAC
- 221 X18 0VAC
- 222 X19 0VAC
- 223 X20 0VAC

NOTES:

- ① - TERMINAL POINT
- ② - REMOTE DEVICE (BY OTHERS)
- ③ - SET OVERLOAD TO MOTOR NAMEPLATE F.L.A.
- ④ - CUSTOMER MUST PROVIDE BRANCH-CIRCUIT PROTECTION.

⑤ - IF OPTIONAL ALARM HORN IS SELECTED DIGITAL OUTPUT IS RECONFIGURED FOR 115VAC OUTPUT.

⑥ - IF AQUASTAT IS NOT REQUIRED, INPUT MAY BE CONFIGURED IN HMI FOR TANK 2 LEVEL INDICATOR

⑦ - ALL PANELS TO BE MANUFACTURED AND LABELED IN ACCORDANCE WITH UL 4-UL508 OR OPTIONAL CSA.

TORONTO

23 BERTRAND AVENUE
TORONTO, ONTARIO
CANADA
M1L 2P3
+1 416 755 2291

BUFFALO

93 EAST AVENUE
NORTH TONAWANDA, NEW YORK
U.S.A.
14120-6594
+1 716 693 8813

BIRMINGHAM

HEYWOOD WHARF, MUCKLOW HILL
HALESOWEN, WEST MIDLANDS
UNITED KINGDOM
B62 8DJ
+44 (0) 8444 145 145

MANCHESTER

WENLOCK WAY
MANCHESTER
UNITED KINGDOM
M12 5JL
+44 (0) 8444 145 145

BANGALORE

#59, FIRST FLOOR, 3RD MAIN
MARGOSA ROAD, MALLESWARAM
BANGALORE, INDIA
560 003
+91 (0) 80 4906 3555

SHANGHAI

NO. 1619 HU HANG ROAD, XI DU TOWNSHIP
FENG XIAN DISTRICT, SHANGHAI
P.R.C.
201401
+86 21 3756 6696

**MAKING
ENERGY
MAKE
SENSE™**