

REVISIONS				
ZONE	REV.	DESCRIPTION	DATE	APPROVED
		ORIGINAL RELEASE, SEE E.O. #103688	5/13/10	JM

FILE NO.: 62.5263
DATE: Feb. 01, 2010
SUPERSEDES: New
DATE: New

NOTES:

- 1 - Dimensions are based on factory choice standard components. For other than standard consult factory, as a new drawing may be required.
- 2 - All dimensions are in inches [mm].
- 3 - Tolerances are +/- 1/4" [6.35] unless otherwise specified.
- 4 - Drawings are for layout purposes only.
- 5 - Drawing 2504-000 is applicable for Pumps with suction size up to 3", 20hp @ 3600rpm, and nominal impeller diameters of 10". For larger sizes consult factory for new drawing.
- 6 - Booster is supplied with standard groove for header connections suitable for optional victaulic type or equivalent flanges (optionally supplied loose).

Maximum System Pressure: 175 PSI 250 PSI

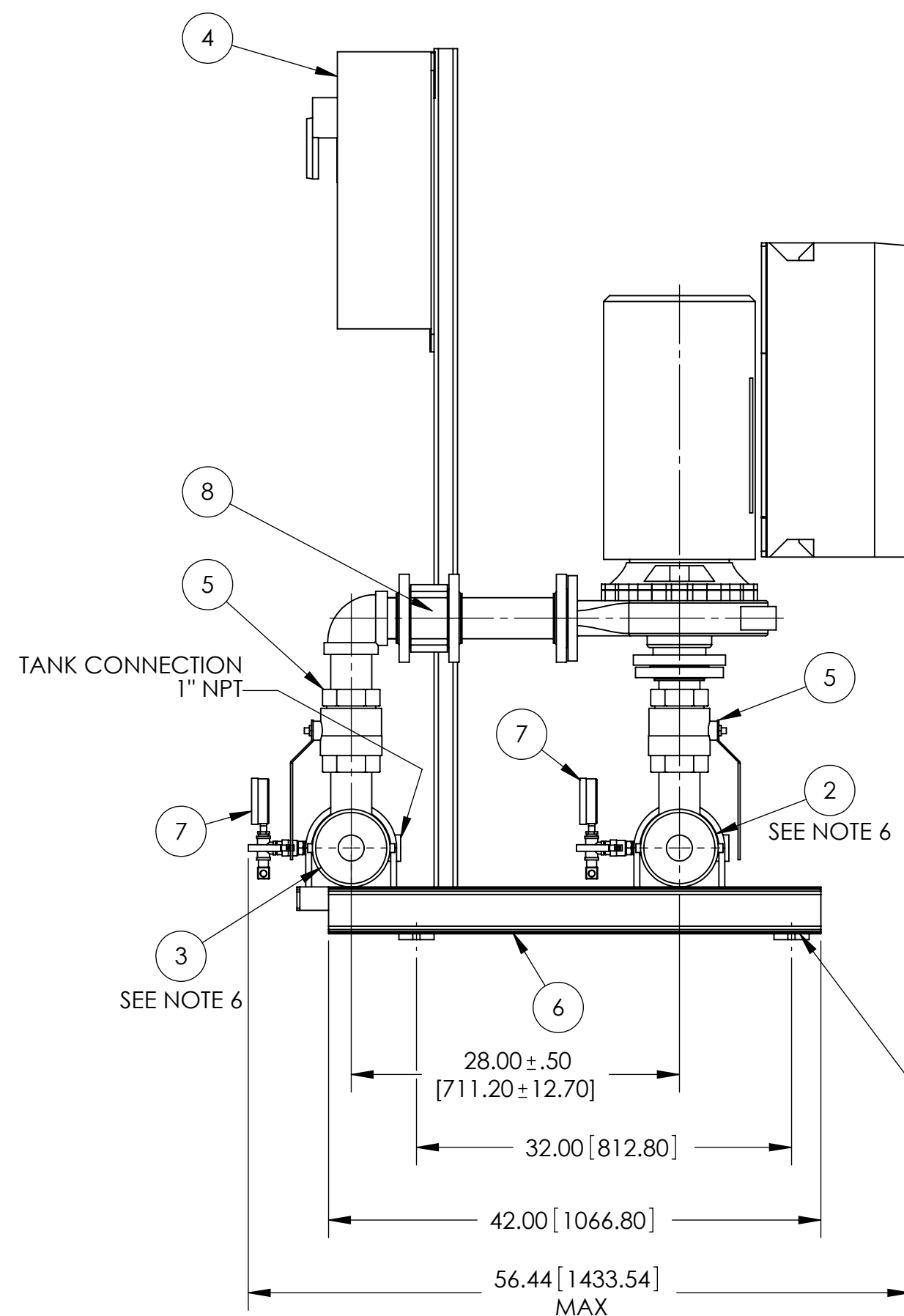
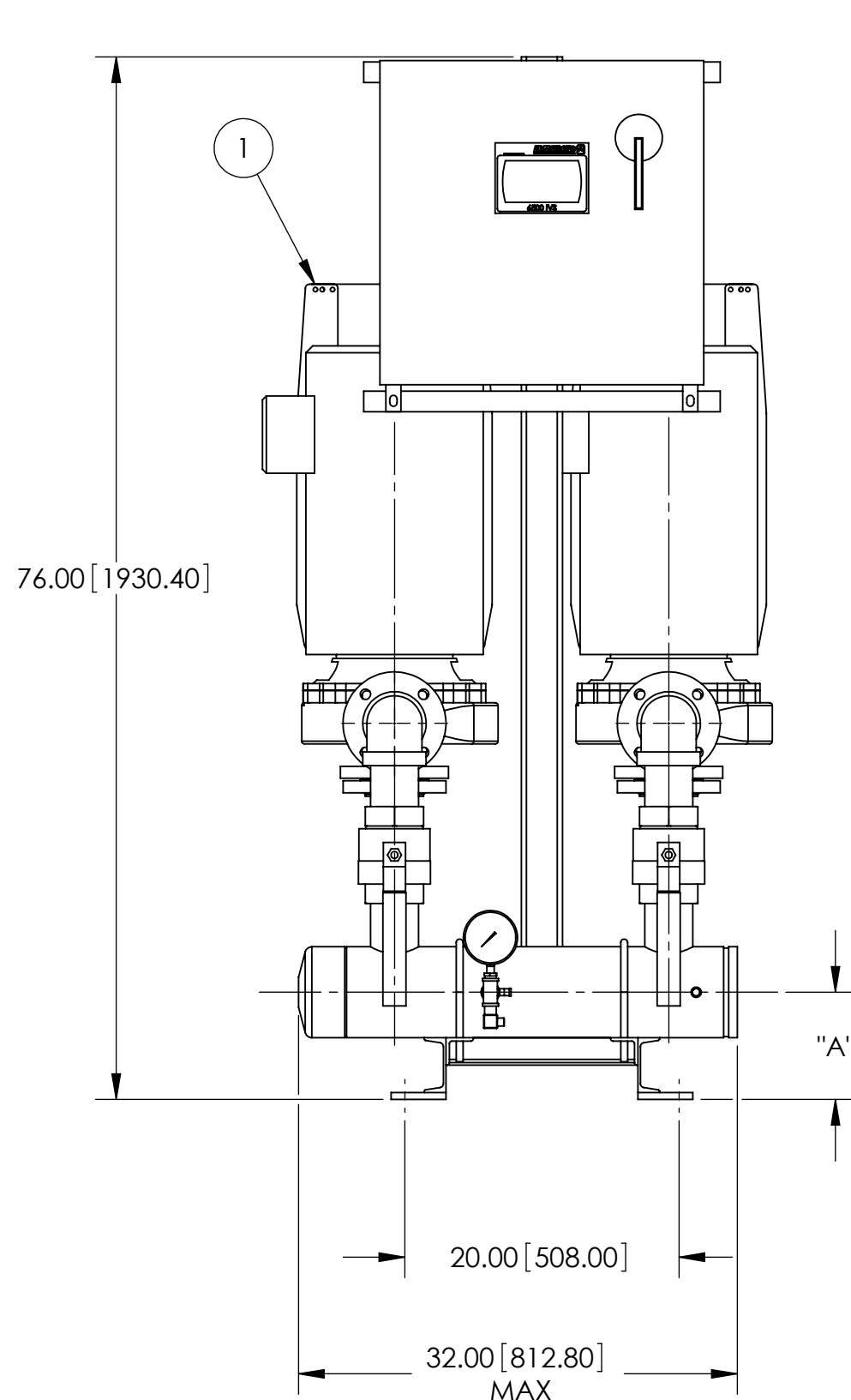
CONNECTION ORIENTATION

SUCTION

RIGHT HAND - STD. AS SHOWN LEFT HAND

DISCHARGE

RIGHT HAND - STD. AS SHOWN LEFT HAND



HEADER SIZE	DIM "A"
<input type="checkbox"/> 3" IPS PIPE 304 S.S.	6.25 [158.8]
<input type="checkbox"/> 4" IPS PIPE 304 S.S.	6.75 [171.5]
<input type="checkbox"/> 6" IPS PIPE 304 S.S.	7.81 [193.7]

1	PUMP, MOTOR, & DRIVE	6	BASE & PANEL SUPPORT
2	SUCTION CONNECTION	7	PRESSURE GAUGES
3	DISCHARGE CONNECTION	8	CHECK VALVES
4	CONTROL PANEL		
5	ISOLATION VALVES		

DO NOT SCALE

PROPRIETARY AND CONFIDENTIAL
THE INFORMATION CONTAINED IN THIS DRAWING IS THE SOLE PROPERTY OF S.A. ARMSTRONG. ANY REPRODUCTION IN PART OR AS A WHOLE WITHOUT THE WRITTEN PERMISSION OF S.A. ARMSTRONG IS PROHIBITED.



UNLESS OTHERWISE SPECIFIED:		NAME	DATE
DIMENSIONS ARE IN INCHES	WEIGHT IN POUNDS	DRAWN	JMC 5/13/10
TOLERANCES:		CHECKED	DG 5/25/10
FRACTIONAL ± 1/4		Q.A.	EH 5/25/10
ANGULAR: MACH ± 0.5° BEND ± 0.5°		MFG APPR.	BB 5/25/10
TWO PLACE DECIMAL ± 0.25		ENG APPR.	JM 5/25/10
THREE PLACE DECIMAL ± 0.003		COMMENTS:	
DIMENSIONING AND TOLERANCING PER:			
ASME Y14.5-1994			
MATERIAL			
FINISH			
APPLICATION			
DESIGN AUTHORITY: S.A. ARMSTRONG			



TITLE: **6525IVS - DUPLEX DWB**

SIZE	DWG. NO.	REV
C	2504-000	
SCALE: NTS	WEIGHT:	SHEET 1 OF 1