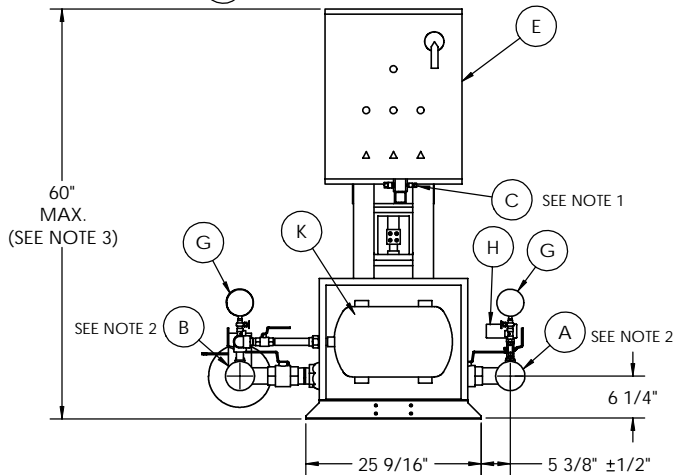


- NOTES**
- 1- 'C' (1/4" NPT ) Provided on continuous run systems only. To be connected to drain by others.
  - 2- Booster is supplied with standard NPT threads for A & B header Flanges (supplied by others).
  - 3- Consult drawing 2400-000 for Variable Speed Drive (VFD) controller dimensions.
  - 4- PRV(Globed or Angle) to be supplied loose. Must be installed on-site.

- COMMENTS**
- Drawing 6840-020 is applicable for VMS 10/18 pump up to 25 HP @ 3600 RPM. For other sizes consult factory for new drawing.
  - Dimensions are based on factory choice standard components. For other than standard consult factory for new drawing.
  - Tolerances are (+/-) 1/2" unless otherwise specified.
  - All dimensions are in inches.



A	SUCTION CONNECTION	F	BRONZE BALL VALVE
B	DISCHARGE CONNECTION	G	PRESSURE GAUGE
C	SOLENOID VALVE (1/4" NPT)	H	AQUASTAT (TEMPERATURE PROBE)
D	PUMP & MOTOR	J	CHECK VALVE
E	CONTROL PANEL	K	DRAWDOWN TANK
		L	PRV (OPTIONAL)

DRAWN BY SP	DATE 12/13/03	 <b>ARMSTRONG</b> ARMSTRONG PUMPS INC. NORTH TONAWANDA, NY 14120
CHECK GB	DATE 06/07/04	
ENGINEERING		DRAWING TITLE 6843/44 - DOMESTIC WATER BOOSTER
QUALITY ASSURANCE		SIZE C
MANUFACTURING		DRAWING NUMBER 6840-020
		REV. C
SCALE:	WEIGHT:	SHEET:

DO NOT SCALE