

## Series 4700 Vertical Multistage Pump

# VMS 180

## SUBMITTAL

JOB: _____	REPRESENTATIVE: _____
ENGINEER: _____	ORDER NO: _____ DATE: _____
CONTRACTOR: _____	SUBMITTED BY: _____ DATE: _____
	APPROVED BY: _____ DATE: _____

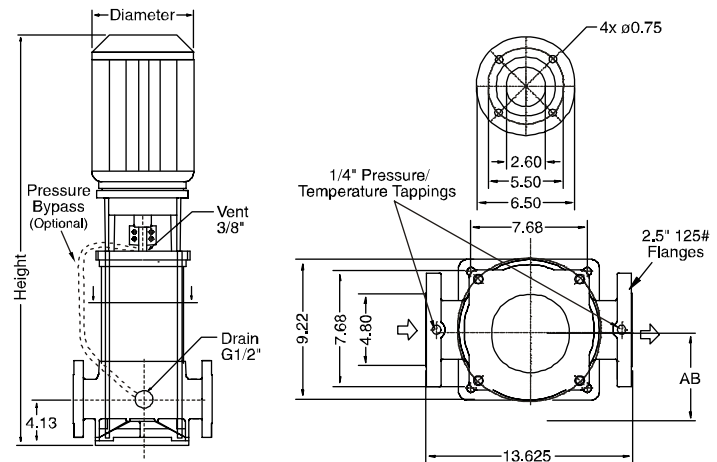
PUMP DESIGN DATA	
NO. OF PUMPS:	
TAG:	
CAPACITY: _____ L/s, m <sup>3</sup> /h (USgpm)	HEAD: _____ m (ft.)
LIQUID:	VISCOSITY:
TEMPERATURE:	SPECIFIC GRAVITY:

MOTOR DESIGN DATA	
HP:	RPM: 3000
FRAME SIZE:	ENCLOSURE: <input type="checkbox"/> ODP <input type="checkbox"/> TEFC
VOLTS:	HERTZ : 50 PHASE:
EFFICIENCY:	<input type="checkbox"/> STANDARD (ePact or NRCan) <input type="checkbox"/> PREMIUM (ePact 'PLUS' or NRCan 'PLUS')

MATERIALS OF CONSTRUCTION	
ANSI FLANGE RATING	CAST IRON - CLASS 125
PUMP CASING	CAST IRON
IMPELLERS	304 STAINLESS STEEL
STAGE CASING	304 STAINLESS STEEL
DIFFUSERS	304 STAINLESS STEEL
PUMP SHAFT	AISI 316L STAINLESS STEEL
JACKET TUBE	STAINLESS STEEL
OTHER COMPONENTS	
INTERMEDIATE BEARING	TUNGSTEN CARBIDE
"O" RINGS	EPDM
MOTOR PEDESTAL	CAST IRON
PUMP BASE	CAST IRON
MECHANICAL SEAL FACES	CARBON & SILICON CARBIDE (STD.)
BYPASS (OPTIONAL)	<input type="checkbox"/> 304 STAINLESS STEEL

REMARKS

MAXIMUM PUMP OPERATING CONDITIONS	
MAXIMUM WORKING PRESSURE	24 bar (350 psig)
MAXIMUM WORKING TEMPERATURE	120°C (250°F)



Model	hp	Phase	Enclosure		NEMA	DIMENSIONS			Weight kg (lbs.)
			ODP	TEFC	Frame	Height	Diameter	AB	
VMS18002	5	3	ODP		182TC	805 (31.70)	263 (10.38)	173 (6.84)	95 (211)
	5	3		TEFC	184TC	802 (31.58)	242 (9.56)	190 (7.50)	96 (212)
VMS18003	7.5	3	ODP		184TC	871 (34.30)	263 (10.38)	173 (6.84)	109 (240)
	7.5	3		TEFC	213TC	937 (36.92)	285 (11.25)	209 (8.25)	119 (262)
VMS18004	10	3	ODP		213TC	955 (37.61)	308 (12.13)	192 (7.59)	129 (284)
	10	3		TEFC	215TC	983 (38.73)	285 (11.25)	209 (8.25)	130 (288)
VMS18005	15	3	ODP		215TC	1077 (42.42)	308 (12.13)	192 (7.59)	145 (320)
	15	3		TEFC	254TC	1231 (48.48)	339 (13.38)	226 (8.90)	146 (322)
VMS18006	15	3	ODP		215TC	1077 (42.42)	308 (12.13)	192 (7.59)	150 (330)
	15	3		TEFC	254TC	1231 (48.48)	339 (13.38)	226 (8.90)	180 (396)

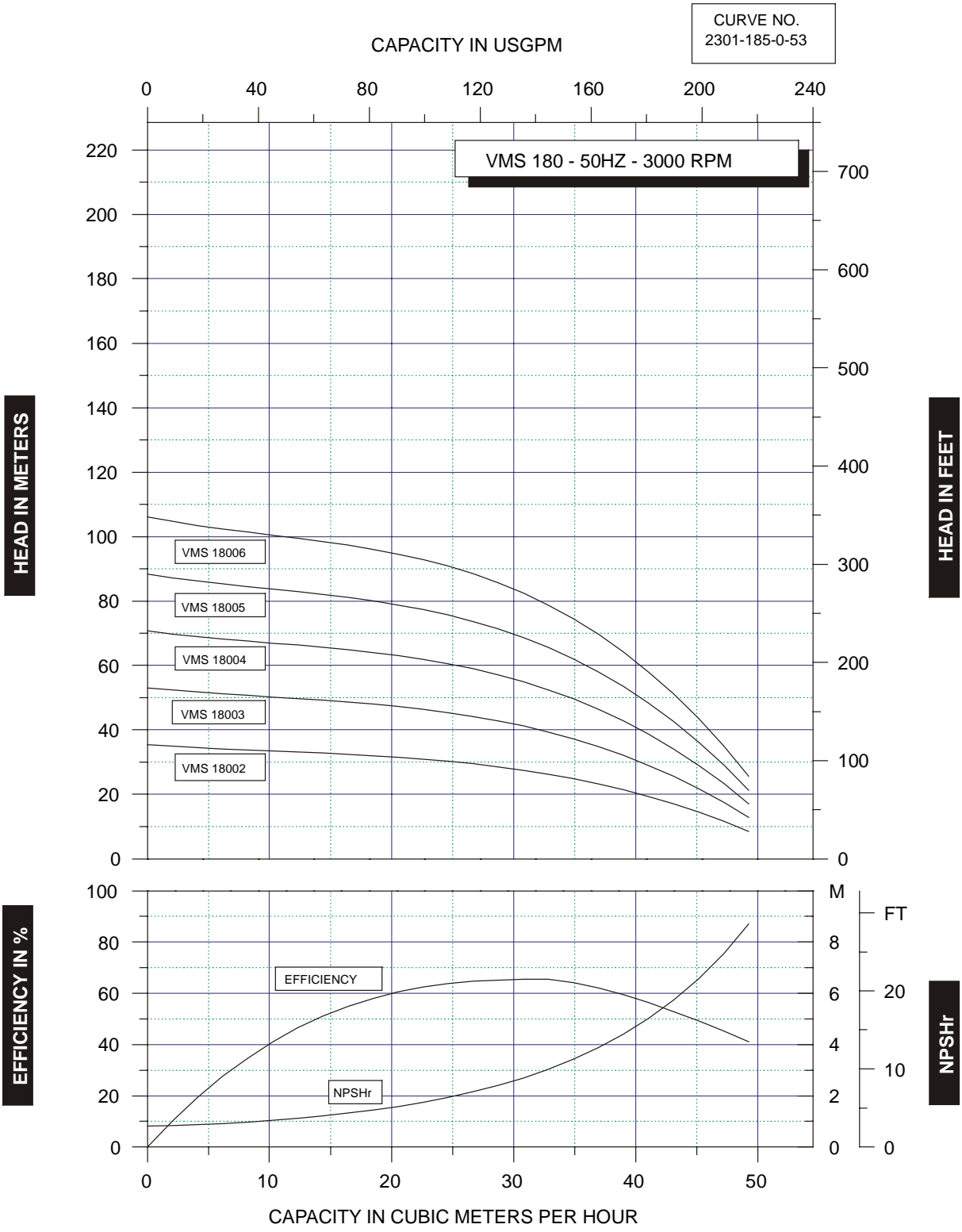
All dimensions are in mm (inches) and are approximate. (Use tolerance of +/- 3 mm [+/- 0.125"])  
 All dimensions and weights are, typically, maximum for the motor range shown.  
 For exact dimensions contact the factory.



**PERFORMANCE CURVES**

Performance Guaranteed Only At Operating Point Indicated

CURVE NO.  
2301-185-0-53



S. A. Armstrong Limited  
23 Bertrand Avenue  
Toronto, Ontario  
Canada, M1L 2P3  
T: (416) 755-2291  
F (Main): (416) 759-9101

Armstrong Pumps Inc.  
93 East Avenue  
North Tonawanda, New York  
U.S.A. 14120-6594  
T: (716) 693-8813  
F: (716) 693-8970

Armstrong Holden Brooke Pullen  
Wenlock Way  
Manchester  
United Kingdom, M12 5JL  
T: +44 (0) 161 223 2223  
F: +44 (0) 161 220 9660

