

SERIES 4280 | END SUCTION BASE MOUNTED SPLIT COUPLED | 65-250A (3×2.5×10) | SUBMITTAL

File No: 42.69L
Date: MARCH 24, 2014
Supersedes: NEW
Date: NEW

Job: _____ Representative: _____

Order no.: _____ Date: _____

Engineer: _____ Submitted by: _____ Date: _____

Contractor: _____ Approved by: _____ Date: _____

PUMP DESIGN DATA

No. of pumps: _____ Tag: _____
Capacity: _____ m³/h (USgpm) Head: _____ m (ft)
Liquid: _____ Viscosity: _____
Temperature: _____ °C (°F) Specific gravity: _____
Suction: 75mm (3") Flanged
Discharge: 62mm (2.5") Flanged

MATERIALS OF CONSTRUCTION

FLANGE RATING	PN 16	PN 25
Construction	<input type="checkbox"/> BF	<input type="checkbox"/> DBF
Casing	Cast iron	Ductile iron
Adapter	Cast iron	Ductile iron

Impeller: Bronze

Gasket: Confined non-asbestos fiber

Bearing frame: Cast iron

Shaft: Carbon steel

Shaft sleeve: Bronze

MECHANICAL SEAL DATA

Seal type: 2A

Stationary seat: Silicone carbide

Secondary seal: EPDM

Rotating hardware: Stainless steel

Spring: Stainless steel

MOTOR DESIGN DATA

kW: _____ RPM: _____ Frame size: _____ Enclosure: _____
Volts: _____ Hertz: 50 Hz Phase: 3
Efficiency: IE1 (NON-EU only) IE2 IE3

MAXIMUM PUMP OPERATING CONDITIONS

PN 16

16 bars at 121°C (232 psig at 250°F)

PN 25

20 bars at 121°C (300 psig at 250°F)

- Tolerance of ±0.125" (±3 mm) should be used
- See performance curves on page 3
- For exact installation, data please write factory for certified dimensions
- Pump equipped with casing drain plug and ¼" NPT suction and discharge gauge ports

OPTIONAL EQUIPMENT

FLUID TYPE	ALL GLYCOLS > 30% WT CONC		ALL OTHER NON-POTABLE FLUIDS		POTABLE (DRINKING) WATER	
	up to 93°C (200°F)	over 93°C (200°F)	up to 93°C (200°F)	over 93°C (200°F)	up to 93°C (200°F)	over 93°C (200°F)
Rotating face	Silicone carbide		Resin bonded carbon	Antimony loaded carbon	Resin bonded carbon	
Seat elastomer	EPDM (L-cup)	EPDM (O-ring)	EPDM (L-cup)	EPDM (O-ring)	EPDM (L-cup)	EPDM (O-ring)
Material code	SCSC L EPSS 2A	SCSC O EPSS 2A	C-SC L EPSS 2A	ACSC O EPSS 2A	C-SC L EPSS 2A	C-SC O EPSS 2A

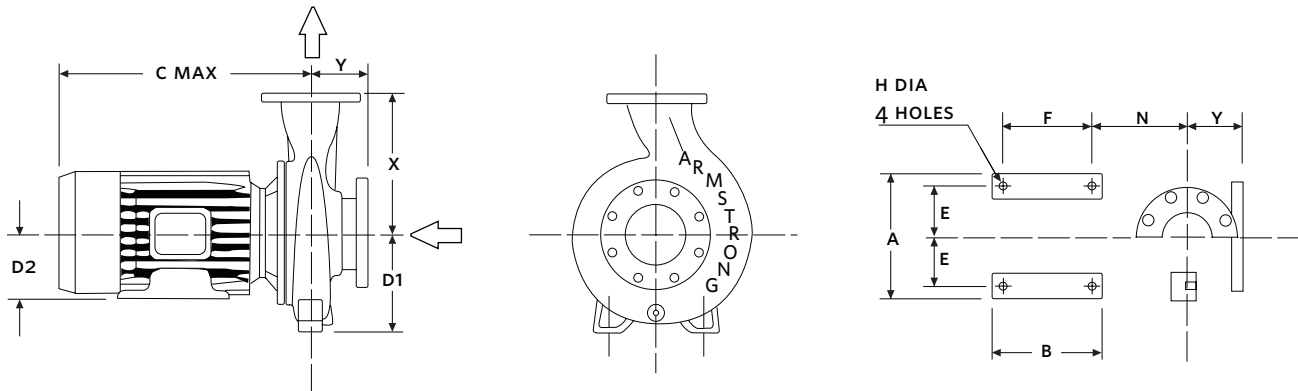
MOTOR	HORSEPOWER @ kW		FULL LOAD CURRENT (A)	STARTING CURRENT (A)		MAX. DIMENSIONS mm (INCHES)							MAX. ASSEMBLY WEIGHT*	
	3000	1500		STAR DELTA (SD)	DIRECT ON LINE (DOL)	A	B	C MAX	D1	D2	E	F		N
90L	—	1.5	3.3	—	18.6	190 (7.48)	187 (7.36)	413 (16.24)	210 (8.25)	210 (8.25)	140 (5.51)	166 (6.54)	183 (7.21)	77.3 (171)
100L	—	2.2	4.82	—	26.5	220 (8.66)	220 (8.66)	438 (17.23)	210 (8.25)	210 (8.25)	160 (6.30)	190 (7.48)	186 (7.31)	85.8 (189)
100L	—	3	6.40	—	37.1	220 (8.66)	220 (8.66)	438 (17.23)	210 (8.25)	210 (8.25)	160 (6.30)	190 (7.48)	186 (7.31)	88.3 (195)
112M	—	4	8.41	18.5	58.9	250 (9.84)	220 (8.66)	482 (18.96)	210 (8.25)	210 (8.25)	190 (7.48)	190 (7.48)	193 (7.58)	97.3 (215)
132S	—	5.5	10.9	24.0	81.8	286 (11.26)	255 (10.04)	600 (23.61)	210 (8.25)	210 (8.25)	216 (8.50)	225 (8.86)	240 (9.45)	118.3 (261)
160M	11	—	21.1	52.8	164.6	324 (12.76)	340 (13.39)	638 (25.10)	210 (8.25)	210 (8.25)	254 (10.00)	308 (12.13)	249 (9.79)	159.3 (351)
160M	15	—	28.5	74.1	228.0	324 (12.76)	340 (13.39)	638 (25.10)	210 (8.25)	210 (8.25)	254 (10.00)	308 (12.13)	249 (9.79)	167.3 (369)
160L	18.5	—	34.9	94.2	303.6	324 (12.76)	340 (13.39)	708 (27.86)	210 (8.25)	210 (8.25)	254 (10.00)	308 (12.13)	293 (11.52)	179.3 (395)
180M	22	—	40.9	114.5	368.1	369 (14.52)	340 (13.39)	776 (30.54)	234 (9.23)	234 (9.23)	279 (10.98)	310 (12.20)	367 (14.46)	219.3 (484)
200L	30	—	55.9	139.8	436.0	418 (16.46)	425 (16.73)	941 (37.04)	260 (10.22)	260 (10.22)	318 (12.52)	393 (15.47)	361 (14.21)	281.3 (620)
200L	37	—	68.7	171.8	535.9	418 (16.46)	425 (16.73)	941 (37.04)	260 (10.22)	260 (10.22)	318 (12.52)	393 (15.47)	361 (14.21)	310.3 (684)

PUMP DIMENSIONS

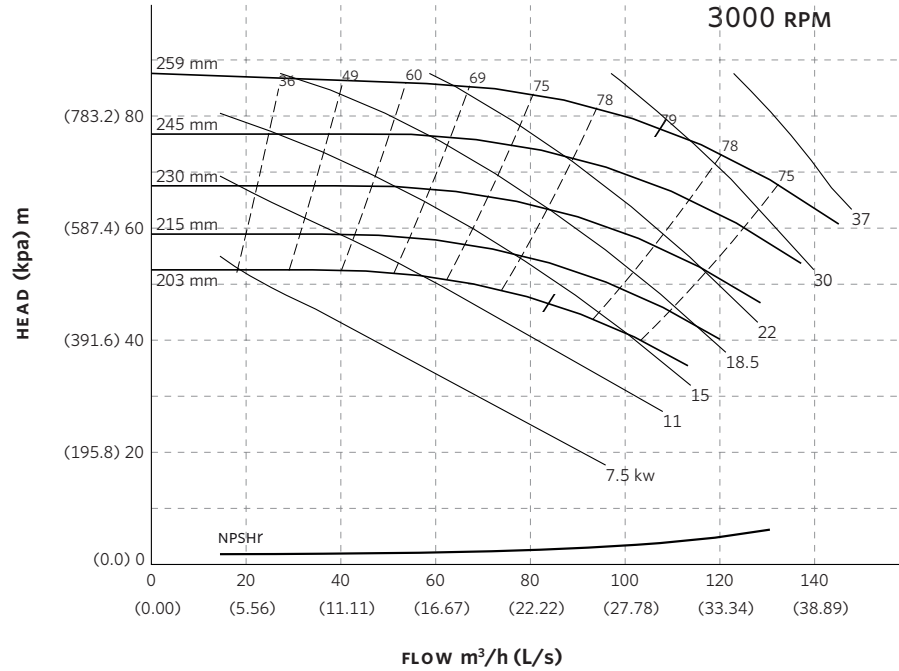
mm (inches)

G	I	X
102 (4.01)	248 (9.76)	241 (9.50)

*Assembly weight combines pump and motor.



SERIES 4280 PERFORMANCE CURVES



Curve number
PT53-2-0-3000

Series
4030
4280

Size
65-250

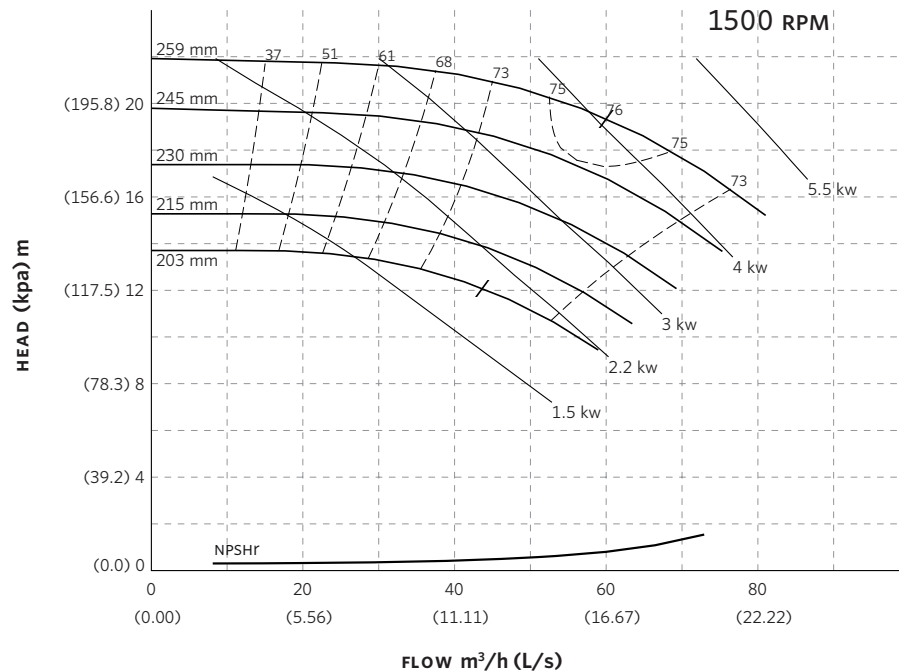
RPM
3000

BHP based on shown
Fluid's sp. gr.

Availability
4030 all ratings
4280 all ratings

Performance
guaranteed only
at operating point
indicated.

Curve shown for
clear, cold water
- SP. GR. 1.0000



Curve number
PT52-2-0-1500

Series
4030
4280

Size
65-250

RPM
1500

BHP based on shown
Fluid's sp. gr.

Availability
4030 all ratings
4280 all ratings.

Performance
guaranteed only
at operating point
indicated.

Curve shown for
clear, cold water
- SP. GR. 1.0000

Performance curves are for reference only.
Confirm current performance data with Armstrong ACE Online selection software.

TORONTO

23 BERTRAND AVENUE
TORONTO, ONTARIO
CANADA
M1L 2P3
+1 416 755 2291

BUFFALO

93 EAST AVENUE
NORTH TONAWANDA, NEW YORK
U.S.A.
14120-6594
+1 716 693 8813

BIRMINGHAM

HEYWOOD WHARF, MUCKLOW HILL
HALESOWEN, WEST MIDLANDS
UNITED KINGDOM
B62 8DJ
+44 (0) 8444 145 145

MANCHESTER

WENLOCK WAY
MANCHESTER
UNITED KINGDOM
M12 5JL
+44 (0) 8444 145 145

BANGALORE

#59, FIRST FLOOR, 3RD MAIN
MARGOSA ROAD, MALLESWARAM
BANGALORE, INDIA
560 003
+91 (0) 80 4906 3555

SHANGHAI

NO. 1619 HU HANG ROAD, XI DU TOWNSHIP
FENG XIAN DISTRICT, SHANGHAI
P.R.C.
201401
+86 21 3756 6696

**MAKING
ENERGY
MAKE
SENSE™**