

## SERIES 4312

SPLIT-COUPLED VERTICAL IN-LINE TWIN PUMP

6 × 6 × 8 | SUBMITTAL

File No: 43T.413  
 Date: DECEMBER 4, 2014  
 Supersedes: 43T.413  
 Date: JULY 16, 2012

Job: \_\_\_\_\_ Representative: \_\_\_\_\_

Ordered by: \_\_\_\_\_ Date: \_\_\_\_\_

Engineer: \_\_\_\_\_ Submitted by: \_\_\_\_\_ Date: \_\_\_\_\_

Contractor: \_\_\_\_\_ Approved by: \_\_\_\_\_ Date: \_\_\_\_\_

### PUMP DESIGN DATA

No. of pumps: \_\_\_\_\_ Tag: \_\_\_\_\_  
 Capacity: \_\_\_\_\_ USgpm (L/s) Head: \_\_\_\_\_ ft (m)  
 Liquid: \_\_\_\_\_ Viscosity: \_\_\_\_\_  
 Temperature: \_\_\_\_\_ °F (°C) Specific gravity: \_\_\_\_\_  
 Suction: 6" (150mm) Discharge: 6" (150mm)

### MOTOR DESIGN DATA

HP: \_\_\_\_\_ RPM: \_\_\_\_\_ Frame size: \_\_\_\_\_ Enclosure: \_\_\_\_\_  
 Volts: \_\_\_\_\_ Hertz: 60 Hz Phase: 3  
 Efficiency:  NEMA premium 12.12  Other: \_\_\_\_\_%

### MATERIALS OF CONSTRUCTION

ANSI FLANGE RATING	ANSI 125
Construction	<input type="checkbox"/> BF
Casing	Cast iron
Adapter	Cast iron

**Impeller:** Bronze  
**Gasket:** Confined non-asbestos fiber  
**Shaft:** Carbon steel  
**Shaft sleeve:** Bronze  
**Flush line:** Braided stainless steel

### MAXIMUM PUMP OPERATING CONDITIONS

**ANSI 125**  
 175 psig at 150°F (12 bars at 65°C)  
 100 psig at 300°F (7 bars at 150°C)

- See performance curves on page 3
- For exact installation, data please write factory for certified dimensions
- See file no. 43.50 for maximum seal operating conditions

### MECHANICAL SEAL DATA

See file no. 43.50 for standard mechanical seal details as indicated below.

ARMSTRONG SEAL REFERENCE NUMBER:

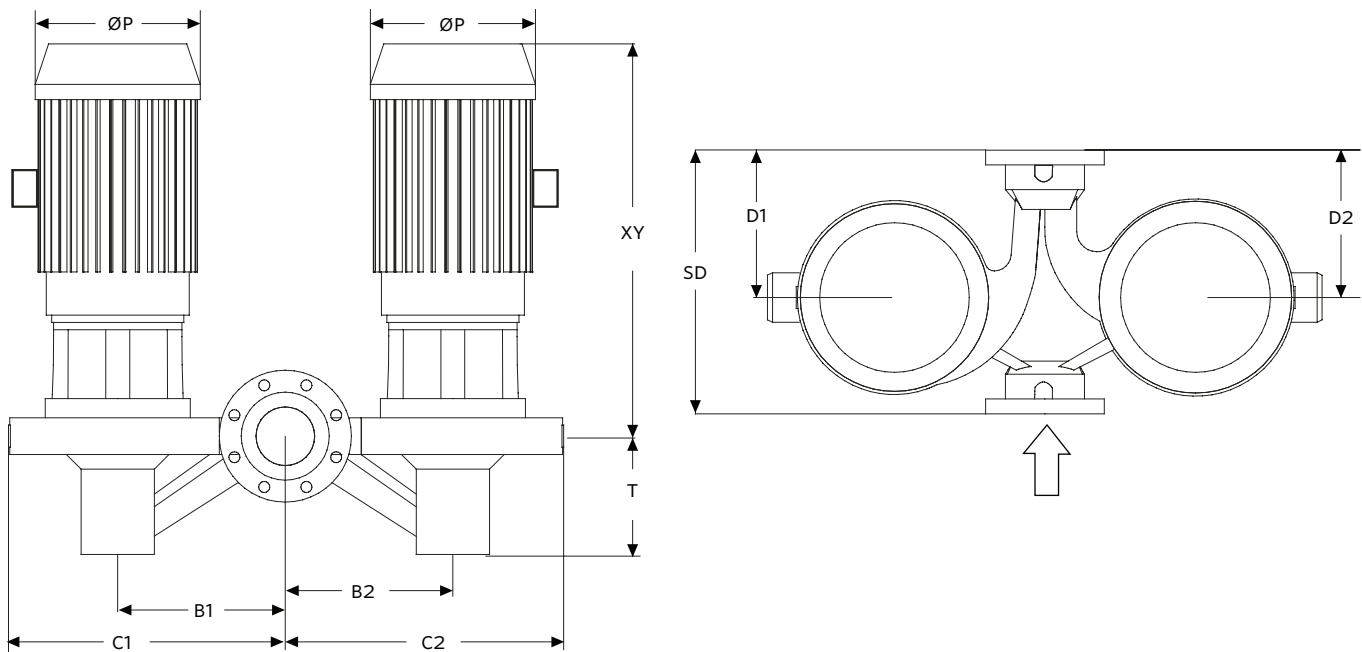
c1 (a) Other: \_\_\_\_\_

2

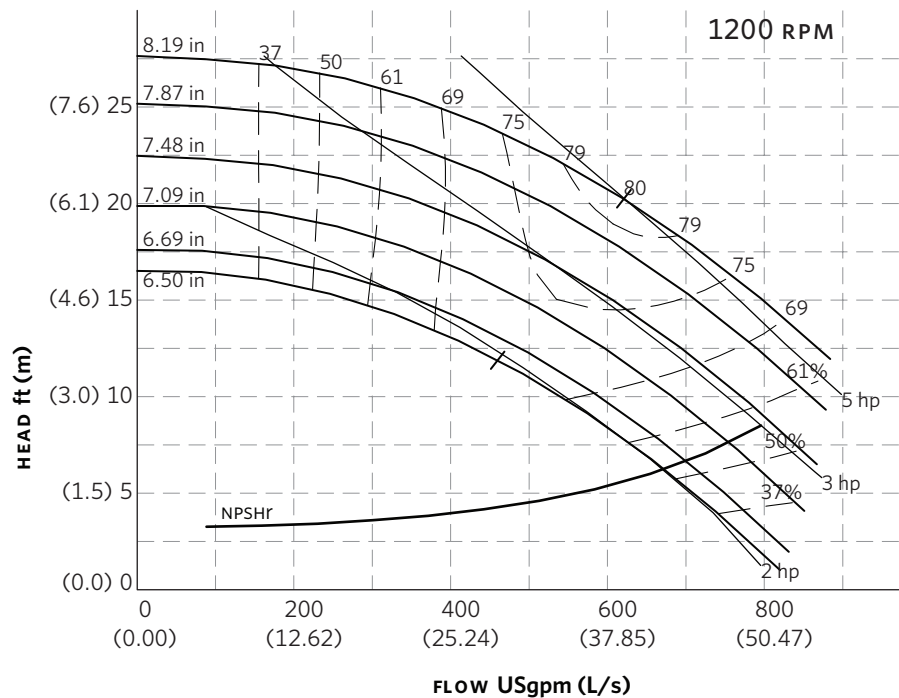
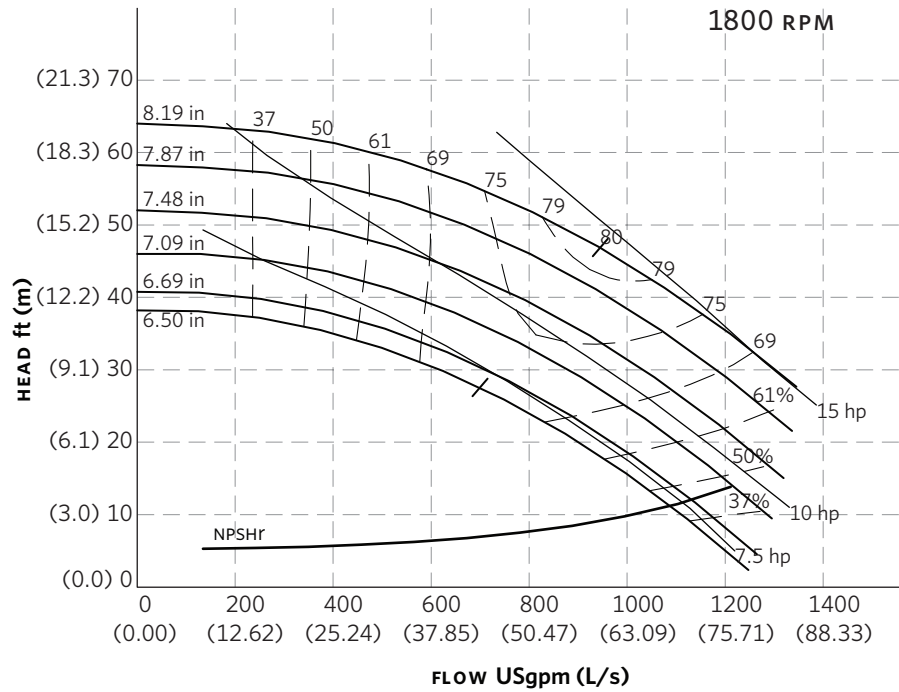
MOTOR FRAME	HORSEPOWER @ RPM		MAX. DIMENSIONS INCHES (mm)		WEIGHT	
	1800	1200	P	XY	lbs (kg)	
	ODP/TEFC				ODP	TEFC
213TC	7.5	3	12.13 (308)	29.75 (756)	860 (390.1)	960 (435.4)
215TC	10	5	12.13 (308)	29.75 (756)	890 (403.7)	974 (441.8)
254TC	15	—	13.38 (340)	34.69 (881)	1144 (518.9)	1212 (549.8)
256TC	20	—	13.38 (340)	34.69 (881)	1230 (557.9)	1278 (579.7)

**PUMP DIMENSIONS**  
INCHES (mm)

B1	B2	C1	C2	D1	D2	SD	T
11.81 (300)	11.81 (300)	20.37 (517)	20.90 (531)	12.60 (320)	17.32 (440)	27.56 (700)	8.78 (223)



## SERIES 4312 PERFORMANCE CURVES



Performance curves are for reference only.  
Confirm current performance data with Armstrong ACE ONLINE selection software.

**TORONTO**

23 BERTRAND AVENUE  
TORONTO, ONTARIO  
CANADA  
M1L 2P3  
+416 755 2291

**BUFFALO**

93 EAST AVENUE  
NORTH TONAWANDA, NEW YORK  
U.S.A.  
14120-6594  
+716 693 8813

**BIRMINGHAM**

HEYWOOD WHARF, MUCKLOW HILL  
HALESOWEN, WEST MIDLANDS  
UNITED KINGDOM  
B62 8DJ  
+44 (0) 8444 145 145

**MANCHESTER**

WOLVERTON STREET  
MANCHESTER  
UNITED KINGDOM  
M11 2ET  
+44 (0) 8444 145 145

**BANGALORE**

#59, FIRST FLOOR, 3RD MAIN  
MARGOSA ROAD, MALLESWARAM  
BANGALORE, INDIA  
560 003  
+91 (0) 80 4906 3555

**SHANGHAI**

NO. 1619 HU HANG ROAD, XI DU TOWNSHIP  
FENG XIAN DISTRICT, SHANGHAI  
P.R.C.  
201401  
+86 21 3756 6696

MAKING  
ENERGY  
MAKE  
SENSE™