

SERIES 4312

SPLIT-COUPLED VERTICAL IN-LINE TWIN PUMP

5 × 5 × 13 | SUBMITTAL

File No: 43T.423
 Date: DECEMBER 4, 2014
 Supersedes: 43T.423
 Date: JULY 16, 2012

Job: _____ Representative: _____

Ordered by: _____ Date: _____

Engineer: _____ Submitted by: _____ Date: _____

Contractor: _____ Approved by: _____ Date: _____

PUMP DESIGN DATA

No. of pumps: _____ Tag: _____
 Capacity: _____ USgpm (L/s) Head: _____ ft (m)
 Liquid: _____ Viscosity: _____
 Temperature: _____ °F (°C) Specific gravity: _____
 Suction: 5" (125mm) Discharge: 5" (125mm)

MOTOR DESIGN DATA

HP: _____ RPM: _____ Frame size: _____ Enclosure: _____
 Volts: _____ Hertz: 60 Hz Phase: 3
 Efficiency: NEMA premium 12.12 Other: _____%

MATERIALS OF CONSTRUCTION

ANSI FLANGE RATING	ANSI 125
Construction	<input type="checkbox"/> BF
Casing	Cast iron
Adapter	Cast iron

Impeller: Bronze
Gasket: Confined non-asbestos fiber
Shaft: Carbon steel
Shaft sleeve: Bronze
Flush line: Braided stainless steel

MAXIMUM PUMP OPERATING CONDITIONS

ANSI 125
 175 psig at 150°F (12 bars at 65°C)
 100 psig at 300°F (7 bars at 150°C)

- See performance curves on page 3
- For exact installation, data please write factory for certified dimensions
- See file no. 43.50 for maximum seal operating conditions

MECHANICAL SEAL DATA

See file no. 43.50 for standard mechanical seal details as indicated below.

ARMSTRONG SEAL REFERENCE NUMBER:

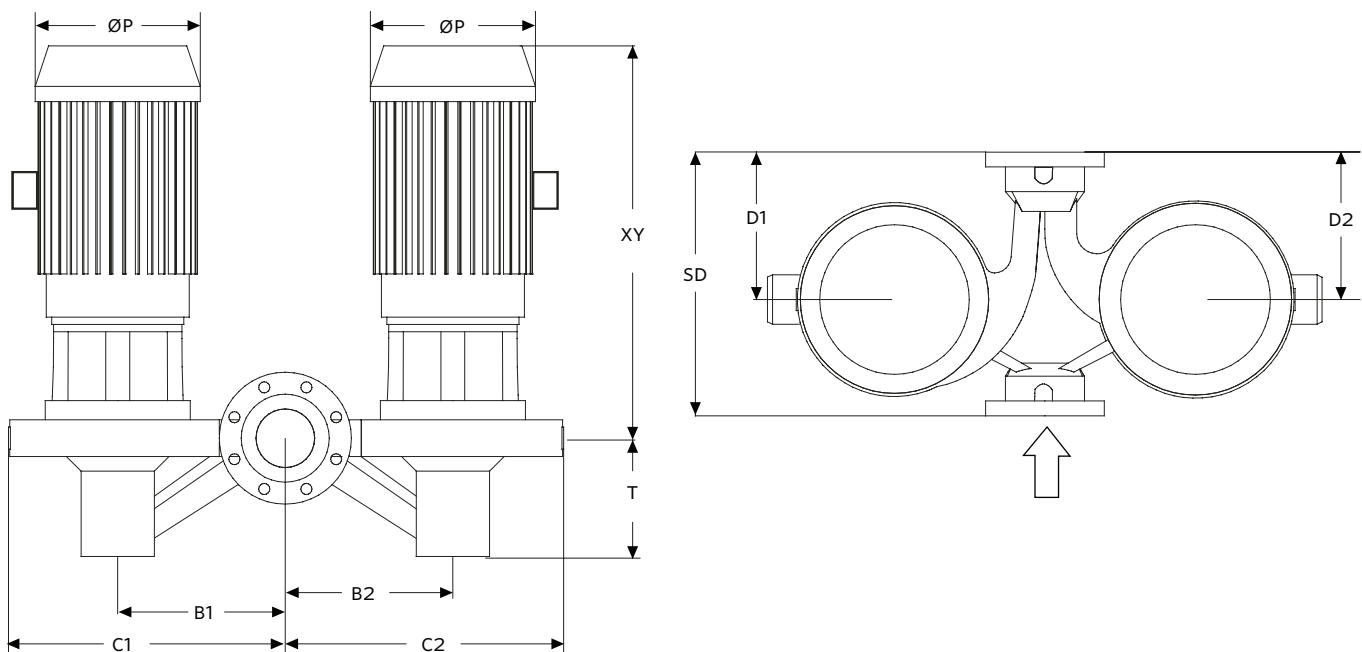
c1 (a) Other: _____

MOTOR FRAME	HORSEPOWER @ RPM		MAX. DIMENSIONS INCHES (mm)		WEIGHT	
	1800	1200	P	XY	lbs (kg)	
	ODP/TEFC				ODP	TEFC
215TC	—	5	12.13 (308)	31.65 (804)	1128 (511.7)	1260 (571.5)
254TC	15	7.5	13.38 (340)	36.59 (929)	1424 (645.9)	1492 (676.8)
256TC	20	10	13.38 (340)	36.59 (929)	1510 (684.9)	1558 (706.7)
284TC	25	15	15.31 (389)	42.99 (1092)	1686 (764.8)	1892 (858.2)
286TC	30	—	15.31 (389)	42.99 (1092)	1790 (811.9)	1980 (898.1)
324TC	40	—	17.00 (432)	44.34 (1126)	2080 (943.5)	2210 (1002.4)
326TC	50	—	17.00 (432)	44.34 (1126)	2120 (961.6)	2686 (1218.3)

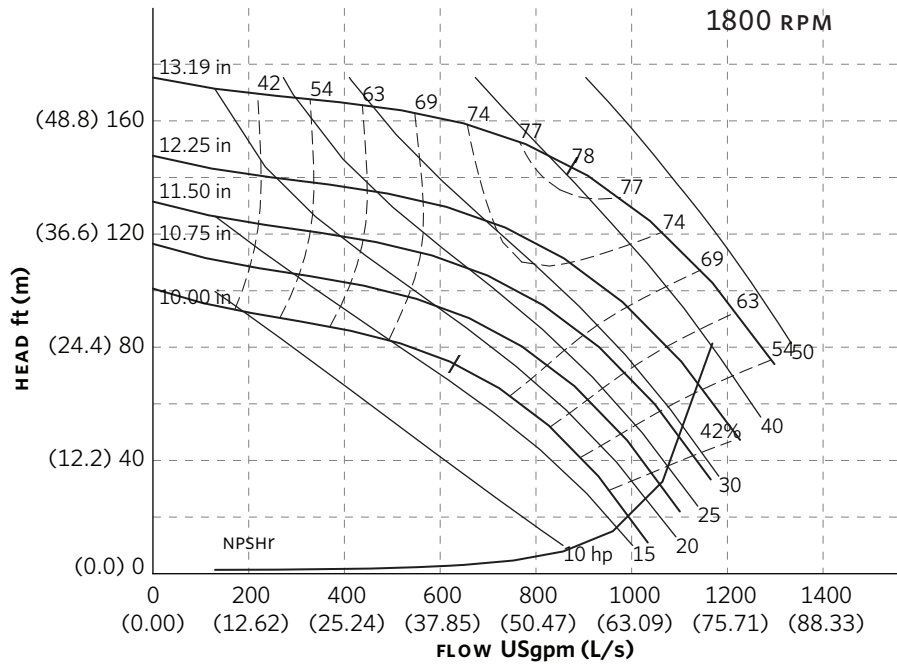
PUMP DIMENSIONS

INCHES (mm)

B1	B2	C1	C2	D1	D2	SD	T
12.80	11.81	22.49	21.85	16.34	17.27	26.77	8.22
(325)	(300)	(571)	(555)	(415)	(439)	(680)	(209)



SERIES 4312 PERFORMANCE CURVES



Curve number
PT622-0-0-1800

Series
4312
4392

Size
5 × 5 × 13

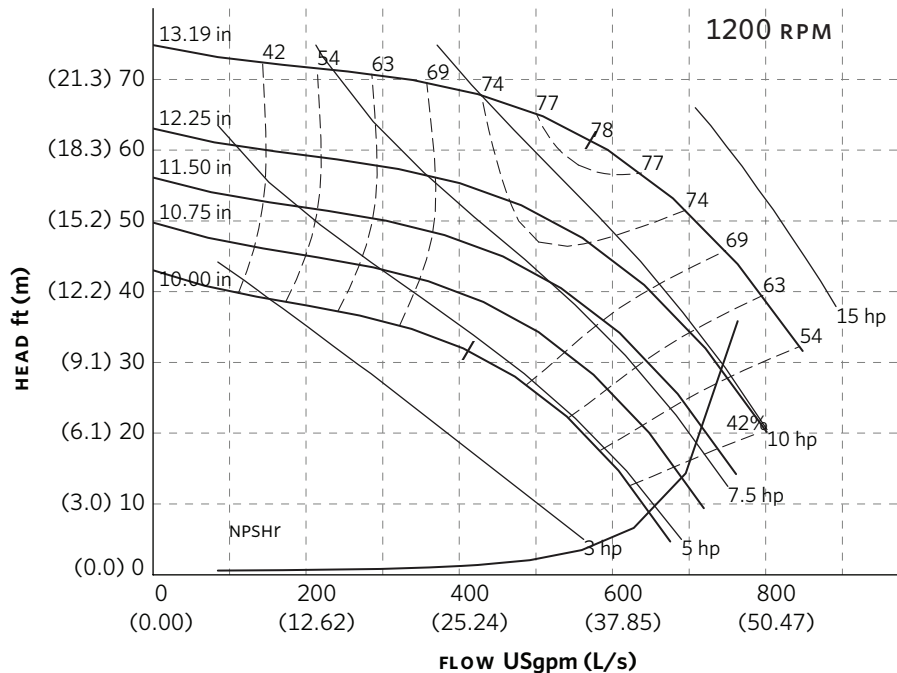
RPM
1800

HP based on shown
Fluid's sp. gr.

Availability
4312 all ratings
4392 all ratings

Performance
guaranteed only
at operating point
indicated

Curve shown for
clear, cold water
- SP. GR. 1.0000



Curve number
PT622-0-0-1200

Series
4312
4392

Size
5 × 5 × 13

RPM
1200

HP based on shown
Fluid's sp. gr.

Availability
4312 all ratings
4392 all ratings

Performance
guaranteed only
at operating point
indicated

Curve shown for
clear, cold water
- SP. GR. 1.0000

Performance curves are for reference only.
Confirm current performance data with Armstrong ACE ONLINE selection software.

TORONTO

23 BERTRAND AVENUE
TORONTO, ONTARIO
CANADA
M1L 2P3
+416 755 2291

BUFFALO

93 EAST AVENUE
NORTH TONAWANDA, NEW YORK
U.S.A.
14120-6594
+716 693 8813

BIRMINGHAM

HEYWOOD WHARF, MUCKLOW HILL
HALESOWEN, WEST MIDLANDS
UNITED KINGDOM
B62 8DJ
+44 (0) 8444 145 145

MANCHESTER

WOLVERTON STREET
MANCHESTER
UNITED KINGDOM
M11 2ET
+44 (0) 8444 145 145

BANGALORE

#59, FIRST FLOOR, 3RD MAIN
MARGOSA ROAD, MALLESWARAM
BANGALORE, INDIA
560 003
+91 (0) 80 4906 3555

SHANGHAI

NO. 1619 HU HANG ROAD, XI DU TOWNSHIP
FENG XIAN DISTRICT, SHANGHAI
P.R.C.
201401
+86 21 3756 6696

**MAKING
ENERGY
MAKE
SENSE™**