

## SERIES 4360 IN-LINE PUMPS INSIDE MECHANICAL SEAL | 1.5D | SUBMITTAL

File No: 43.607  
Date: NOV. 26, 2014  
Supersedes: 43.607  
Date: MAR. 15, 2012

Job: \_\_\_\_\_ Representative: \_\_\_\_\_  
 \_\_\_\_\_ Ordered by: \_\_\_\_\_ Date: \_\_\_\_\_  
 Engineer: \_\_\_\_\_ Submitted by: \_\_\_\_\_ Date: \_\_\_\_\_  
 Contractor: \_\_\_\_\_ Approved by: \_\_\_\_\_ Date: \_\_\_\_\_

### PUMP DESIGN DATA

No. of pumps: \_\_\_\_\_ Tag: \_\_\_\_\_  
 Capacity: \_\_\_\_\_ USgpm (L/s) Head: \_\_\_\_\_ ft (m)  
 Liquid: \_\_\_\_\_ Viscosity: \_\_\_\_\_  
 Temperature: \_\_\_\_\_ °F (°C) Specific Gravity: \_\_\_\_\_  
 Suction: 1.5" (38mm) Discharge: 1.5" (38mm)

### MOTOR DESIGN DATA

HP: \_\_\_\_\_ RPM: \_\_\_\_\_ Frame size: \_\_\_\_\_ Enclosure: \_\_\_\_\_  
 Volts: \_\_\_\_\_ Hertz: 60 Hz Phase: 3  
 Efficiency\*:  Standard  Energy EFF 12.11  
 NEMA premium 12.12  
 \* Frame 56 motors: Standard Efficiency only.  
 JM motors: 12.11 or 12.12

### MATERIALS OF CONSTRUCTION

PART NAME	■ BRONZE FITTED		■ ALL IRON		■ ALL BRONZE	
Casing	Cast iron		Cast iron		Bronze	
Impeller	Bronze		Cast iron		Bronze	
Companion flanges	Cast iron		Cast iron		Bronze	
Pump/motor bracket	Cast iron		Cast iron		Bronze	
Motor frame	<input type="checkbox"/> 56C	<input type="checkbox"/> JM	<input type="checkbox"/> 56C	<input type="checkbox"/> JM	<input type="checkbox"/> 56C	<input type="checkbox"/> JM
Stub shaft	Stainless steel	NA	Stainless steel	NA	Stainless steel	NA
Shaft sleeve	NA	Bronze	NA	St Steel	NA	Bronze

### OPTIONAL EQUIPMENT

### MECHANICAL SEAL DATA

Seal Type: 2A Stationary Seat: Silicone carbide  
 Secondary Seal: EPDM Rotating Hardware: Stainless steel  
 Spring: Stainless steel

### MAXIMUM PUMP OPERATING CONDITIONS

#### ANSI 125

175 psig at 150°F (12 bars at 65°C)  
 140 psig at 250°F (10 bars at 121°C)

#### ANSI 250

300 psig at 150°F (20 bars at 65°C)  
 250 psig at 250°F (17 bars at 121°C)

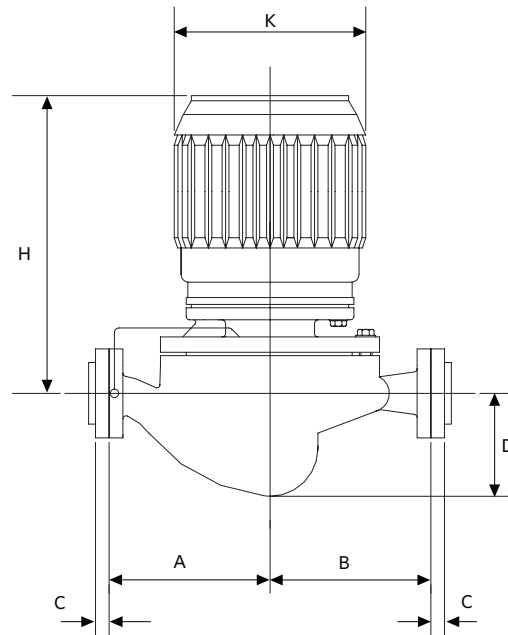
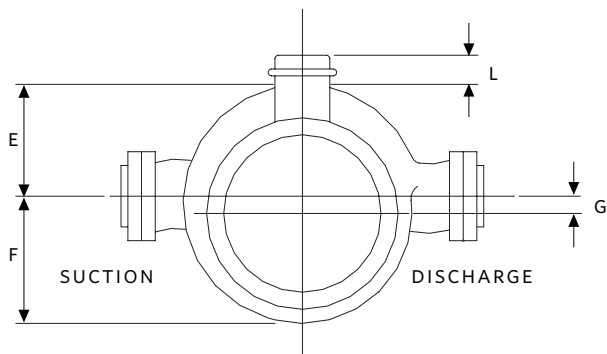
FLUID TYPE	ALL GLYCOLS > 30% WT CONC		ALL OTHER NON-POTABLE FLUIDS		POTABLE (DRINKING) WATER	
Temperature	up to 200°F (93°C)	over 200°F (93°C)	up to 200°F (93°C)	over 200°F (93°C)	up to 200°F (93°C)	over 200°F (93°C)
Rotating Face	Silicone carbide		Resin bonded carbon	Antimony loaded carbon	Resin bonded carbon	
Seat Elastomer	EPDM (L-cup)	EPDM (O-ring)	EPDM (L-cup)	EPDM (O-ring)	EPDM (L-cup)	EPDM (O-ring)
Material Code	SCsc L EPSS 2A	SCsc O EPSS 2A	C-sc L EPSS 2A	ACsc O EPSS 2A	C-sc L EPSS 2A	C-sc O EPSS 2A

MOTOR FRAME	HORSEPOWER @ RPM		MAX. DIMENSIONS INCHES (mm)				SHIP. WEIGHT lbs (kg)		
	3500	1750	G	H		K	L	ODP	TEFC
				SINGLE PHASE	THREE PHASE	MAX	MAX		
56c	-	0.5	1.00 (25)	13.68 (347)	13.69 (348)	7.50 (191)	1.00 (25)	100 (45.3)	100 (45.3)
56c	-	0.75	1.00 (25)	13.81 (351)	13.69 (348)	7.50 (191)	1.00 (25)	102 (46.2)	102 (46.2)
143JM	-	1	1.00 (25)	14.38 (365)	13.75 (349)	7.50 (191)	1.25 (32)	118 (53.5)	120 (54.4)
145JM	-	1.5	1.00 (25)	15.38 (391)	14.75 (375)	7.50 (191)	1.25 (32)	124 (56.2)	128 (58.1)
145JM	3	-	1.00 (25)	-	14.75 (375)	7.50 (191)	1.25 (32)	129 (58.5)	168 (76.2)
182JM	5	-	1.00 (25)	-	15.50 (394)	9.50 (241)	2.88 (73)	130 (58.9)	181 (82.1)
184JM	7	-	1.00 (25)	-	16.50 (419)	9.50 (241)	2.88 (73)	143 (64.9)	214 (97.1)
213JM	10	-	1.00 (25)	-	18.69 (475)	10.75 (273)	4.88 (124)	183 (83.0)	235 (106.6)

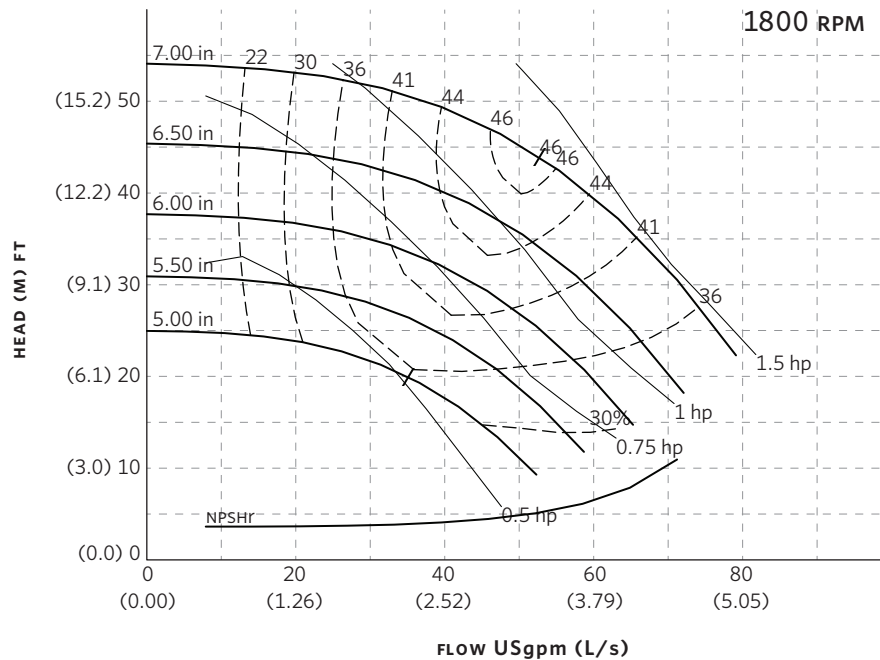
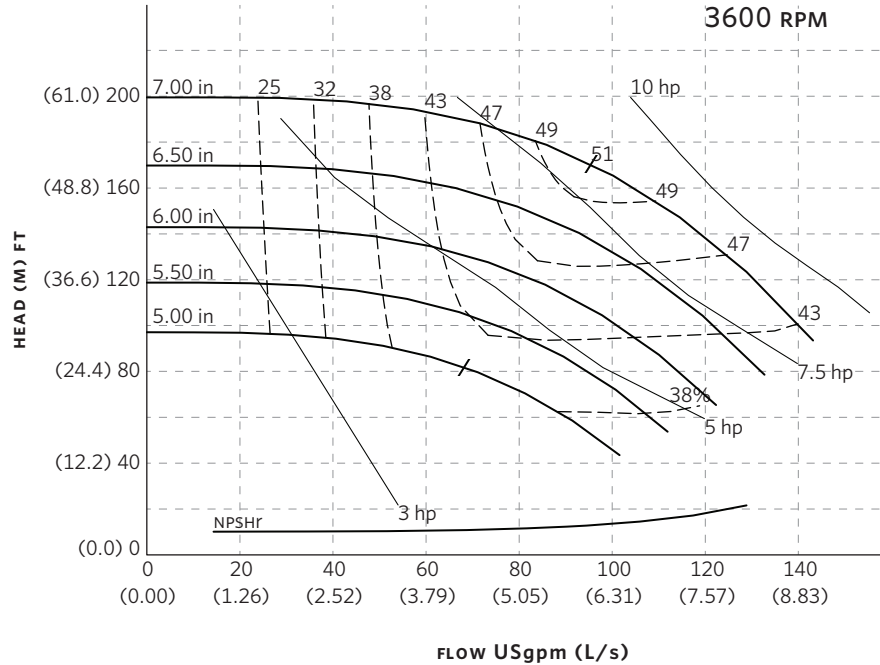
**PUMP DIMENSIONS**

INCHES (mm)

A	B	C	D	E	F
7.00	6.50	0.88	3.25	3.88	5.63
(178)	(165)	(22)	(83)	(99)	(143)



## SERIES 4360 PERFORMANCE CURVES



Performance curves are for reference only.  
Confirm current performance data with Armstrong ACE Online selection software.

**TORONTO**

23 BERTRAND AVENUE  
TORONTO, ONTARIO  
CANADA  
M1L 2P3  
+416 755 2291

**BUFFALO**

93 EAST AVENUE  
NORTH TONAWANDA, NEW YORK  
U.S.A.  
14120-6594  
+716 693 8813

**BIRMINGHAM**

HEYWOOD WHARF, MUCKLOW HILL  
HALESOWEN, WEST MIDLANDS  
UNITED KINGDOM  
B62 8DJ  
+44 (0) 8444 145 145

**MANCHESTER**

WENLOCK WAY  
MANCHESTER  
UNITED KINGDOM  
M12 5JL  
+44 (0) 8444 145 145

**BANGALORE**

#59, FIRST FLOOR, 3RD MAIN  
MARGOSA ROAD, MALLESWARAM  
BANGALORE, INDIA  
560 003  
+91 (0) 80 4906 3555

**SHANGHAI**

NO. 1619 HU HANG ROAD, XI DU TOWNSHIP  
FENG XIAN DISTRICT, SHANGHAI  
P.R.C.  
201401  
+86 21 3756 6696

ARMSTRONG INTEGRATED  
ESTABLISHED 1934

ARMSTRONGINTEGRATED.COM

**MAKING  
ENERGY  
MAKE  
SENSE™**