

## 4700 VERTICAL MULTI-STAGE PUMP | VMS 01B | SUBMITTAL

File No: 47.5011L  
Date: OCTOBER 04, 2018  
Supersedes: NEW  
Date: NEW

Job: \_\_\_\_\_ Representative: \_\_\_\_\_

Ordered by: \_\_\_\_\_ Date: \_\_\_\_\_

Engineer: \_\_\_\_\_ Submitted by: \_\_\_\_\_ Date: \_\_\_\_\_

Contractor: \_\_\_\_\_ Approved by: \_\_\_\_\_ Date: \_\_\_\_\_

### PUMP DESIGN DATA

No. of pumps: \_\_\_\_\_ Tag: \_\_\_\_\_  
Capacity: \_\_\_\_\_ USgpm (L/s) Head: \_\_\_\_\_ ft (m)  
Liquid: \_\_\_\_\_ Viscosity: \_\_\_\_\_  
Temperature: \_\_\_\_\_ °F (°C) Specific gravity: \_\_\_\_\_  
Suction: 1.25" (32mm) Discharge: 1.25" (32mm)  
Maximum working temperature: 250°F (120°C)

### MOTOR DESIGN DATA

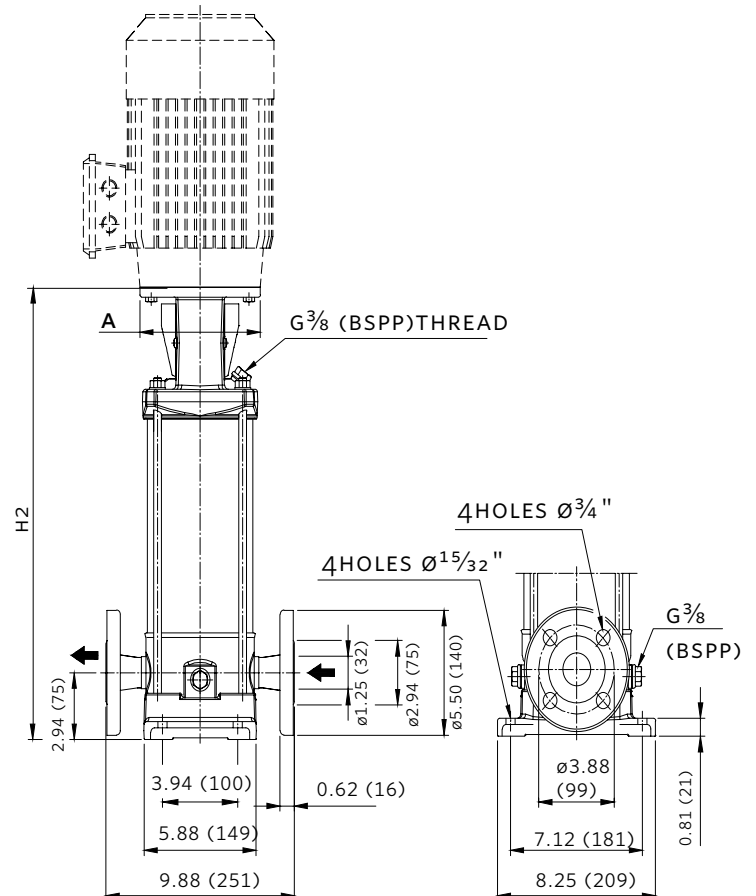
HP: \_\_\_\_\_ RPM: 3000 Frame size: \_\_\_\_\_  
Enclosure:  ODP  TEFC Volts: \_\_\_\_\_  
Hertz: 50 Hz Phase:  1  3  
Efficiency\*:  Standard Efficiency  Other: \_\_\_\_\_ %

\*Fractional power, frame 56 & 1-phase motors are supplied with the standard efficiency of the Manufacturer.

### MATERIALS OF CONSTRUCTION

**Flange rating:** ANSI 300  
**Bottom casing:** EN 1.4301 (AISI 304)  
**Impellers:** EN 1.4301 (AISI 304)  
**Intermediate casing:** EN 1.4301 (AISI 304)  
**Pump shaft:** EN1.430 (AISI 304)  
**Shaft sleeve bearing:** Tungsten carbide  
**O rings:** FPM  
**Motor bracket:** Cast iron EN-GJL-200-EN 1561  
**Pump base:** Die cast aluminum  
EN-AB-AISI 11Cu2(Fe)  
**Mechanical seal faces:** Silicon carbide/Carbon/FPM

### REMARKS



2

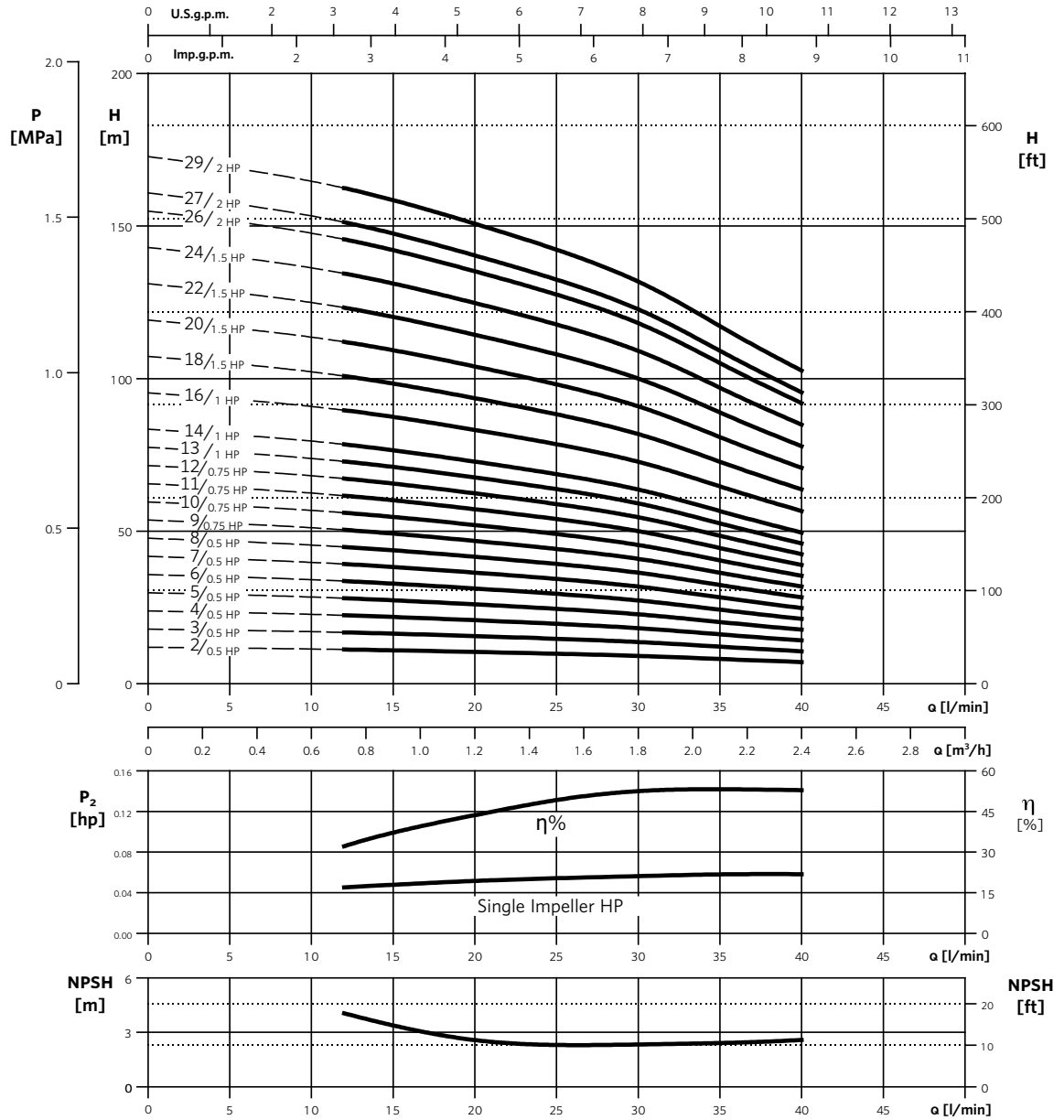
PUMP SIZE	HP	NEMA FRAME	MWP*	DIMENSIONS in inches(mm)		WEIGHT in lbs (kg)
				A	H2	
VMS 0102B	0.5	56c	230	4.50 (114)	11.88 (302)	25 (11.3)
VMS 0103B	0.5	56c	230	4.50 (114)	12.69 (322)	26 (11.8)
VMS 0104B	0.5	56c	230	4.50 (114)	13.56 (344)	27 (12.2)
VMS 0105B	0.5	56c	230	4.50 (114)	14.38 (365)	28 (12.7)
VMS 0106B	0.5	56c	230	4.50 (114)	15.19 (386)	29 (13.2)
VMS 0107B	0.5	56c	230	4.50 (114)	15.63 (397)	30 (13.6)
VMS 0108B	0.5	56c	230	4.50 (114)	16.88 (429)	31 (14.1)
VMS 0109B	0.75	56c	230	4.50 (114)	17.69 (449)	32 (14.5)
VMS 0110B	0.75	56c	230	4.50 (114)	18.50 (470)	33 (15.0)
VMS 0111B	0.75	56c	230	4.50 (114)	19.31 (491)	34 (15.4)
VMS 0112B	0.75	56c	230	4.50 (114)	20.13 (511)	35 (15.9)
VMS 0113B	1	56c	230	4.50 (114)	21.00 (533)	36 (16.3)
VMS 0114B	1	56c	230	4.50 (114)	22.00 (559)	37 (16.8)
VMS 0116B	1	56c	230	4.50 (114)	23.44 (595)	39 (17.7)
VMS 0118B	1.5	56c	230	4.50 (114)	25.13 (638)	41 (18.6)
VMS 0120B	1.5	56c	360	4.50 (114)	26.75 (679)	43 (19.5)
VMS 0122B	1.5	143TC	360	8.50 (216)	31.94 (811)	52 (23.6)
VMS 0124B	1.5	143TC	360	8.50 (216)	33.56 (852)	54 (24.5)
VMS 0126B	2	145TC	360	8.50 (216)	35.25 (895)	56 (25.4)
VMS 0127B	2	145TC	360	8.50 (216)	36.06 (916)	57 (25.9)
VMS 0129B	2	145TC	360	8.50 (216)	37.69 (957)	59 (26.8)

All dimensions are in inches (mm) and are approximate.

\*Maximum Working Pressure in psi

## 4700 PERFORMANCE CURVES

½ HP - 2 HP  
2 - 29 Stages  
2900 RPM  
300# ANSI 1¼" 4-Bolt



Performance curves are for reference only.

**TORONTO**

23 BERTRAND AVENUE  
TORONTO, ONTARIO  
CANADA  
M1L 2P3  
+1 416 755 2291

**BUFFALO**

93 EAST AVENUE  
NORTH TONAWANDA, NEW YORK  
U.S.A.  
14120-6594  
+1 716 693 8813

**BIRMINGHAM**

HEYWOOD WHARF, MUCKLOW HILL  
HALESOWEN, WEST MIDLANDS  
UNITED KINGDOM  
B62 8DJ  
+44 (0) 8444 145 145

**MANCHESTER**

WOLVERTON STREET  
MANCHESTER  
UNITED KINGDOM  
M11 2ET  
+44 (0) 8444 145 145

**BANGALORE**

#59, FIRST FLOOR, 3RD MAIN  
MARGOSA ROAD, MALLESWARAM  
BANGALORE, INDIA  
560 003  
+91 (0) 80 4906 3555

**SHANGHAI**

UNIT 903, 888 NORTH SICHUAN RD.  
HONGKOU DISTRICT, SHANGHAI  
CHINA  
200085  
+86 (0) 21 5237 0909

**SÃO PAULO**

RUA JOSÉ SEMIÃO RODRIGUES AGOSTINHO,  
1370 GALPÃO 6  
EMBU DAS ARTES  
SAO PAULO, BRAZIL  
+55 11 4785 1330

ARMSTRONG FLUID TECHNOLOGY  
ESTABLISHED 1934

ARMSTRONGFLUIDTECHNOLOGY.COM

MAKING  
ENERGY  
MAKE  
SENSE™