

4700 VERTICAL MULTI-STAGE PUMP | VMS 05B | SUBMITTAL

File No: 47.5051L
Date: OCTOBER 04, 2018
Supersedes: NEW
Date: NEW

Job: _____ Representative: _____

Ordered by: _____ Date: _____

Engineer: _____ Submitted by: _____ Date: _____

Contractor: _____ Approved by: _____ Date: _____

PUMP DESIGN DATA

No. of pumps: _____ Tag: _____
Capacity: _____ USgpm (L/s) Head: _____ ft (m)
Liquid: _____ Viscosity: _____
Temperature: _____ °F (°C) Specific gravity: _____
Suction: 1.25" (32mm) Discharge: 1.25" (32mm)
Maximum working temperature: 250°F (120°C)

MOTOR DESIGN DATA

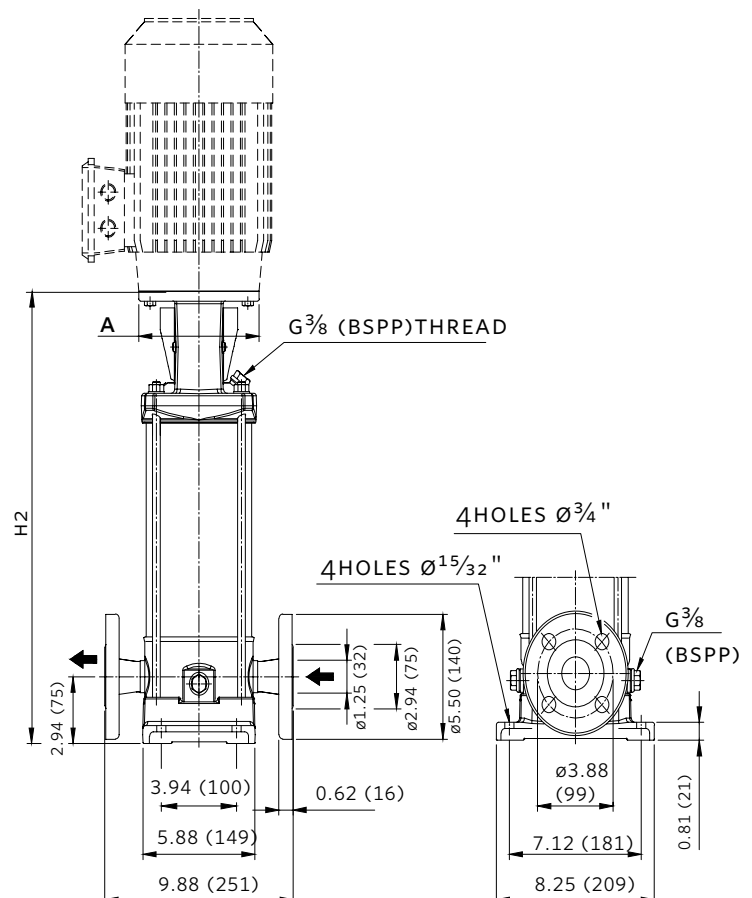
HP: _____ RPM: 3000 Frame size: _____
Enclosure: ODP TEFC Volts: _____
Hertz: 50 Hz Phase: 1 3
Efficiency*: Standard Efficiency Other: _____%

*Fractional power, frame 56 & 1-phase motors are supplied with the standard efficiency of the Manufacturer.

MATERIALS OF CONSTRUCTION

Flange rating: ANSI 300
Bottom casing: EN 1.4301 (AISI 304)
Impellers: EN 1.4301 (AISI 304)
Intermediate casing: EN 1.4301 (AISI 304)
Pump shaft: VMS0502B-VMS0516B - EN 1.430 (AISI 304)
VMS0517B-VMS0519B - EN 1.4462 (AISI 329A)
Shaft sleeve bearing: Tungsten carbide
O rings: FPM
Motor bracket: Cast iron EN-GJL-200-EN 1561
Pump base: Die cast aluminum
EN-AB-AISI 11Cu2(Fe)
Mechanical seal faces: Silicon carbide/Carbon/FPM

REMARKS



2

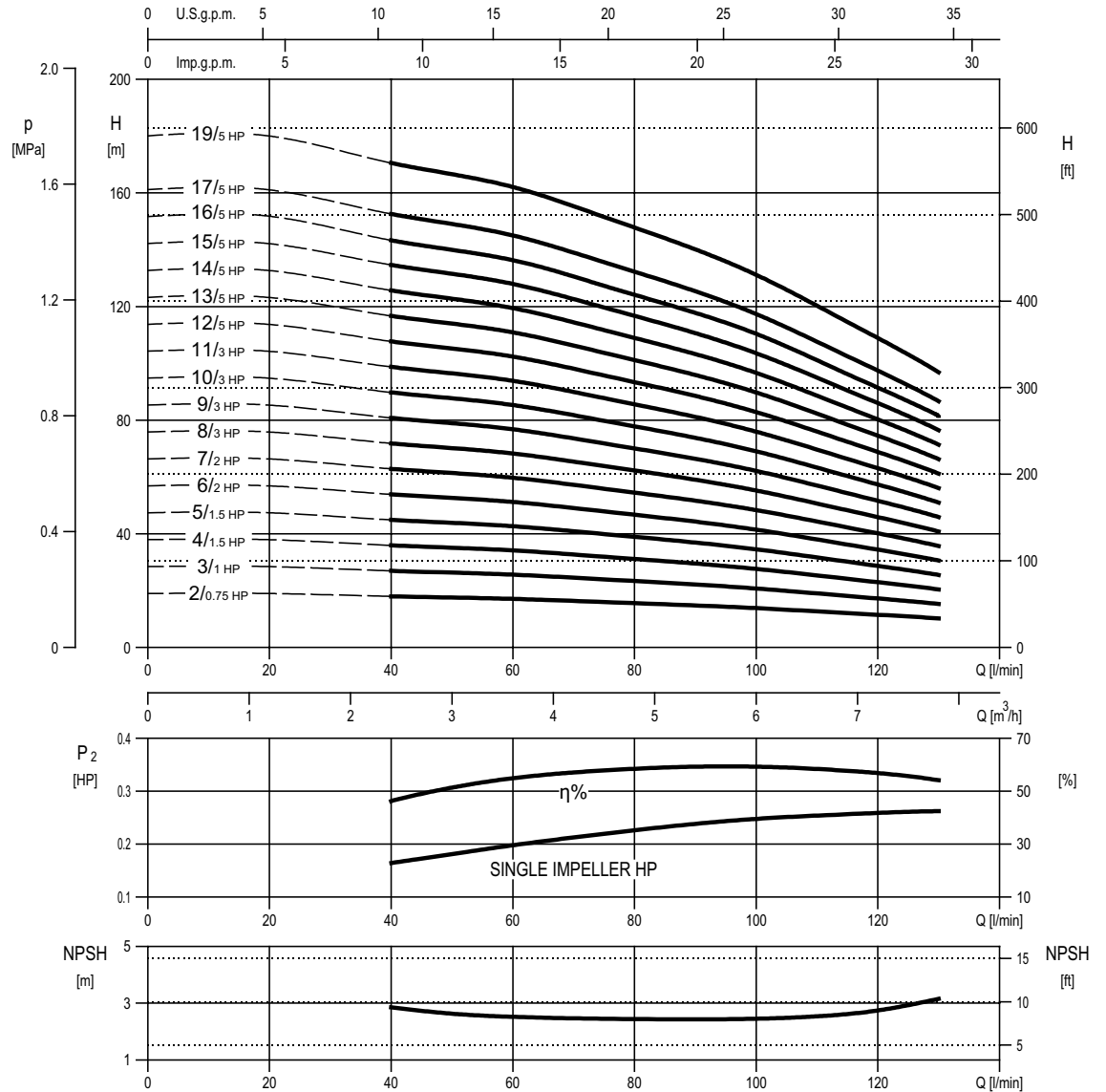
PUMP SIZE	HP	NEMA FRAME	MWP*	DIMENSIONS in inches(mm)		WEIGHT in lbs (kg)
				A	H2	
VMS 0502B	0.75	56c	230	4.50 (114)	12.44 (316)	25 (11.3)
VMS 0503B	1	56c	230	4.50 (114)	13.56 (344)	26 (11.8)
VMS 0504B	1.5	56c	230	4.50 (114)	14.63 (371)	27 (12.2)
VMS 0505B	1.5	143TC	230	8.50 (216)	19.25 (489)	34 (15.4)
VMS 0506B	2	143TC	230	8.50 (216)	20.31 (516)	35 (15.9)
VMS 0507B	2	182TC	230	8.50 (216)	21.44 (545)	36 (16.3)
VMS 0508B	3	182TC	230	8.50 (216)	22.56 (573)	37 (16.8)
VMS 0509B	3	182TC	230	8.50 (216)	23.63 (600)	38 (17.2)
VMS 0510B	3	182TC	230	8.50 (216)	24.75 (629)	39 (17.7)
VMS 0511B	3	182TC	230	8.50 (216)	25.88 (657)	40 (18.1)
VMS 0512B	5	213TC	230	8.50 (216)	27.56 (700)	52 (23.6)
VMS 0513B	5	213TC	360	8.50 (216)	28.69 (729)	56 (25.4)
VMS 0514B	5	213TC	360	8.50 (216)	29.81 (757)	57 (25.9)
VMS 0515B	5	213TC	360	8.50 (216)	30.88 (784)	58 (26.3)
VMS 0516B	5	213TC	360	8.50 (216)	32.00 (813)	60 (27.2)
VMS 0517B	5	213TC	360	8.50 (216)	33.13 (841)	61 (27.7)
VMS 0519B	5	213TC	360	8.50 (216)	35.31 (897)	63 (28.6)

All dimensions are in inches (mm) and are approximate.

*Maximum Working Pressure in psi

4700 PERFORMANCE CURVES

0.75 HP - 5 HP
2 - 19 Stages
2900 RPM
300# ANSI 1¼" 4-Bolt



Performance curves are for reference only.

TORONTO

23 BERTRAND AVENUE
TORONTO, ONTARIO
CANADA
M1L 2P3
+1 416 755 2291

BUFFALO

93 EAST AVENUE
NORTH TONAWANDA, NEW YORK
U.S.A.
14120-6594
+1 716 693 8813

BIRMINGHAM

HEYWOOD WHARF, MUCKLOW HILL
HALESOWEN, WEST MIDLANDS
UNITED KINGDOM
B62 8DJ
+44 (0) 8444 145 145

MANCHESTER

WOLVERTON STREET
MANCHESTER
UNITED KINGDOM
M11 2ET
+44 (0) 8444 145 145

BANGALORE

#59, FIRST FLOOR, 3RD MAIN
MARGOSA ROAD, MALLESWARAM
BANGALORE, INDIA
560 003
+91 (0) 80 4906 3555

SHANGHAI

UNIT 903, 888 NORTH SICHUAN RD.
HONGKOU DISTRICT, SHANGHAI
CHINA
200085
+86 (0) 21 5237 0909

SÃO PAULO

RUA JOSÉ SEMIÃO RODRIGUES AGOSTINHO,
1370 GALPÃO 6
EMBU DAS ARTES
SAO PAULO, BRAZIL
+55 11 4785 1330

ARMSTRONG FLUID TECHNOLOGY
ESTABLISHED 1934

ARMSTRONGFLUIDTECHNOLOGY.COM

**MAKING
ENERGY
MAKE
SENSE™**