

## SERIES 4700 VERTICAL MULTI-STAGE PUMP VMS 45 | SUBMITTAL

File No: 47.545  
Date: NOVEMBER 28, 2014  
Supersedes: 47.545  
Date: APRIL 07, 2011

Job: \_\_\_\_\_ Representative: \_\_\_\_\_

Ordered by: \_\_\_\_\_ Date: \_\_\_\_\_

Engineer: \_\_\_\_\_ Submitted by: \_\_\_\_\_ Date: \_\_\_\_\_

Contractor: \_\_\_\_\_ Approved by: \_\_\_\_\_ Date: \_\_\_\_\_

### PUMP DESIGN DATA

No. of pumps: \_\_\_\_\_ Tag: \_\_\_\_\_  
Capacity: \_\_\_\_\_ USgpm (L/s) Head: \_\_\_\_\_ ft (m)  
Liquid: \_\_\_\_\_ Viscosity: \_\_\_\_\_  
Temperature: \_\_\_\_\_ °F (°C) Specific gravity: \_\_\_\_\_  
Suction: 3" (76mm) Discharge: 3" (76mm)  
Maximum working temperature: 250°F (120°C)

### MATERIALS OF CONSTRUCTION

**Flange rating:** ANSI 150  
ANSI 300  
**Pump casing:** Cast iron  
**Impellers:** EN 1.4301 (AISI 304)  
**Stage casing:** EN 1.4301 (AISI 304)  
**Diffusers:** EN 1.4301 (AISI 304)  
**Pump shaft:** EN 1.4401 (AISI 316)  
**Jacket tube:** EN 1.4301 (AISI 304)  
**Intermediate bearing:** Tungsten carbide  
**O rings:** FPM  
**Motor pedestal:** Cast iron EN-GJL-200-EN 1561  
**Pump base:** Cast iron EN-GJL-200-EN 1561  
**Mechanical seal faces:** Silicon carbide/Carbon/FPM

### MOTOR DESIGN DATA

HP: \_\_\_\_\_ RPM: 3600 Frame size: \_\_\_\_\_  
Enclosure:  ODP  TEFC Volts: \_\_\_\_\_  
Hertz: 60 Hz Phase:  1  3  
Efficiency\*:  NEMA premium 12.12  Other: \_\_\_\_\_%

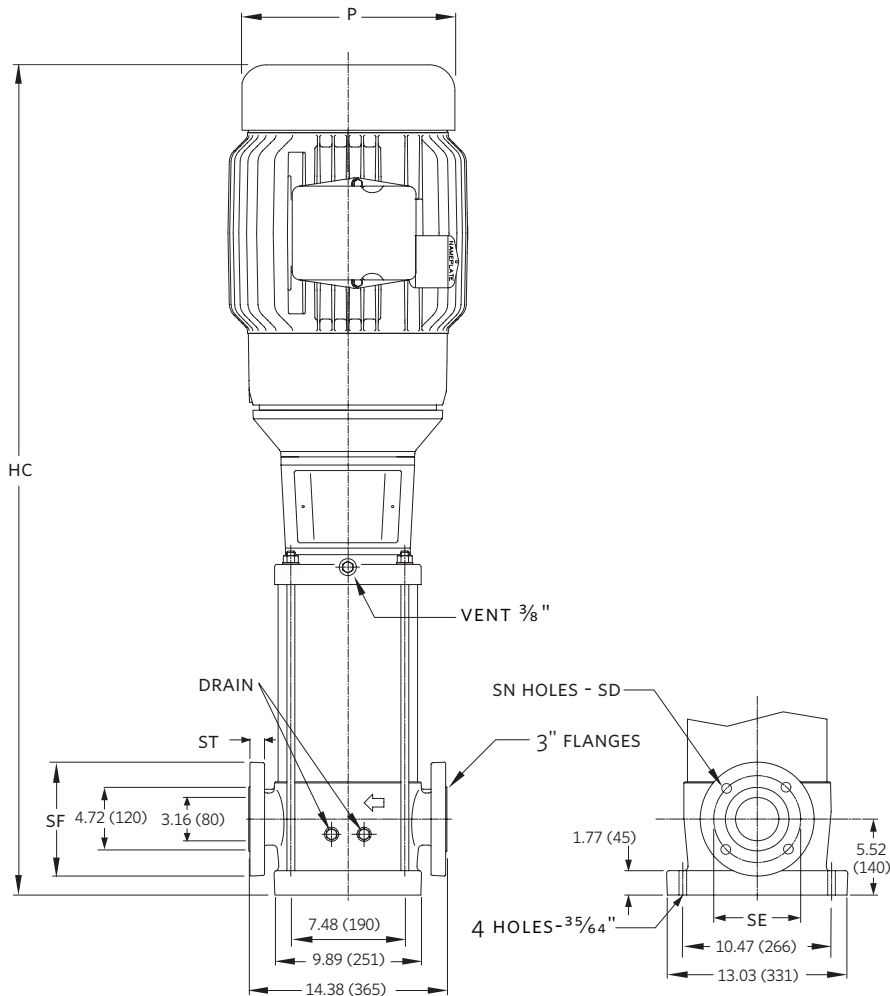
\*Fractional power, frame 56 & 1-phase motors are supplied with the standard efficiency of the Manufacturer.

### REMARKS

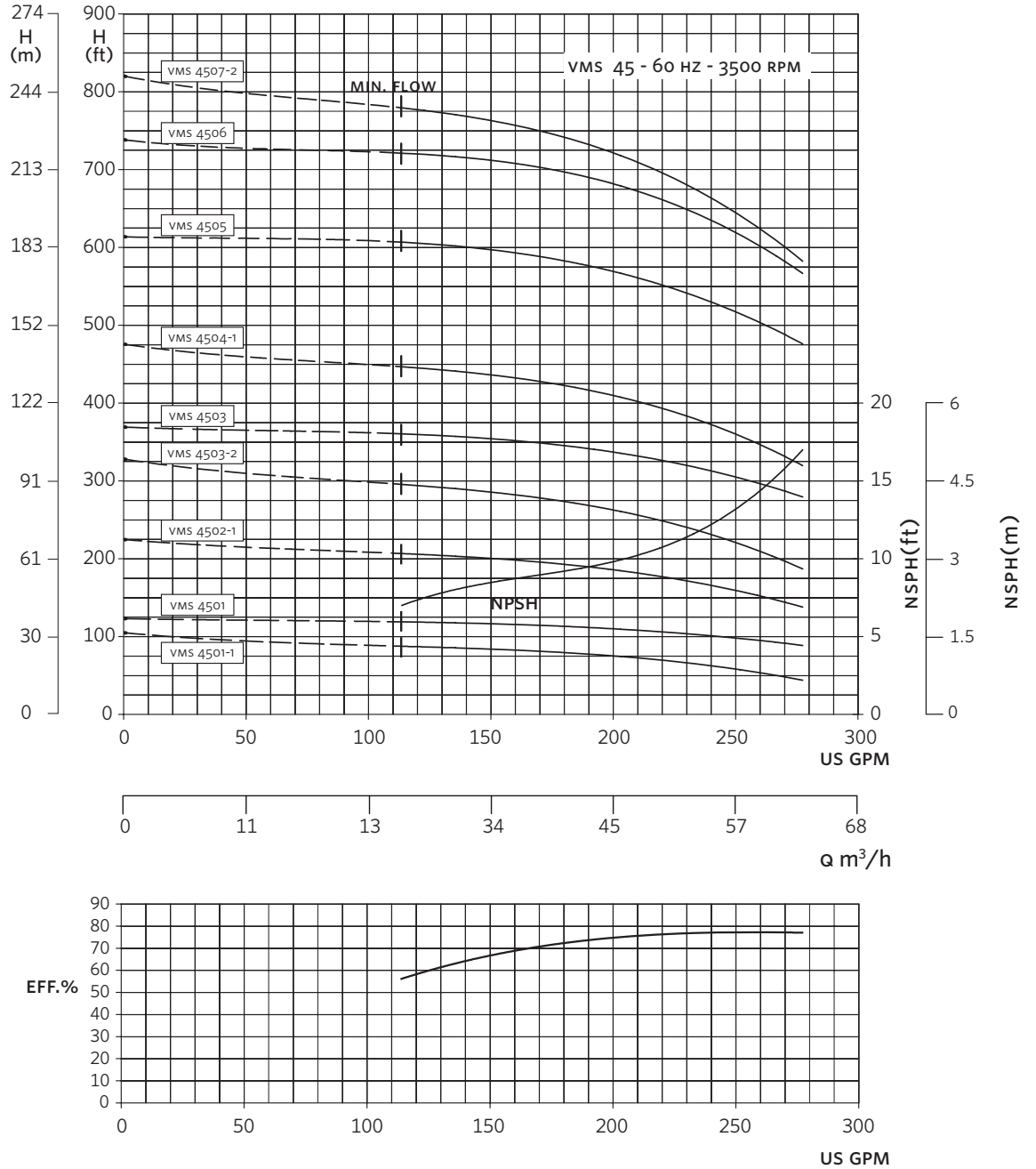
PUMP SIZE	HP	NEMA FRAME	FLANGE RATING	MWP*	DIMENSIONS in inches(mm)							WEIGHT in lbs (kg)
					HC	P	ST	SF	SD	SN	SE	
VMS 4501-1	7.5	184TC	ANSI 150	232	40.10 (1019)	10.38 (264)						239 (108.4)
VMS 4501	10	215TC	ANSI 150	232	41.22 (1047)	11.25 (286)						271 (122.9)
VMS 4502-1	15	215TC	ANSI 150	232	49.22 (1250)	11.25 (286)	0.94 (24)	7.50 (191)	0.78 (20)	4	6.00 (152)	333 (151.0)
VMS 4503-2	20	256TC	ANSI 150	232	55.94 (1421)	13.38 (340)						477 (216.4)
VMS 4503	25	284TSC	ANSI 150	232	58.45 (1485)	15.31 (389)						606 (274.9)
VMS 4504-1	30	286TSC	ANSI 300	370	61.31 (1557)	15.31 (389)						647 (293.5)
VMS 4505	40	324TSC	ANSI 300	370	64.73 (1644)	15.92 (404)	1.20 (31)	8.25 (210)	0.91 (23)	8	6.62 (168)	682 (309.4)
VMS 4506	50	326TSC	ANSI 300	370	69.08 (1755)	15.92 (404)						1238 (561.5)
VMS 4507-2	50	326TSC	ANSI 300	370	71.91 (1826)	15.92 (404)						1249 (566.5)

All dimensions are in inches (mm) and are approximate.

\*Maximum Working Pressure



**SERIES 4700 PERFORMANCE CURVES**



Performance curves are for reference only.  
Confirm current performance data with Armstrong ACE ONLINE selection software.

**TORONTO**

23 BERTRAND AVENUE  
TORONTO, ONTARIO  
CANADA  
M1L 2P3  
+416 755 2291

**BUFFALO**

93 EAST AVENUE  
NORTH TONAWANDA, NEW YORK  
U.S.A.  
14120-6594  
+716 693 8813

**BIRMINGHAM**

HEYWOOD WHARF, MUCKLOW HILL  
HALESOWEN, WEST MIDLANDS  
UNITED KINGDOM  
B62 8DJ  
+44 (0) 8444 145 145

**MANCHESTER**

WOLVERTON STREET  
MANCHESTER  
UNITED KINGDOM  
M11 2ET  
+44 (0) 8444 145 145

**BANGALORE**

#59, FIRST FLOOR, 3RD MAIN  
MARGOSA ROAD, MALLESWARAM  
BANGALORE, INDIA  
560 003  
+91 (0) 80 4906 3555

**SHANGHAI**

NO. 1619 HU HANG ROAD, XI DU TOWNSHIP  
FENG XIAN DISTRICT, SHANGHAI  
P.R.C.  
201401  
+86 21 3756 6696

**MAKING  
ENERGY  
MAKE  
SENSE™**