

Series 4700 Vertical Multi-Stage Pump

VMS 45

SUBMITTAL



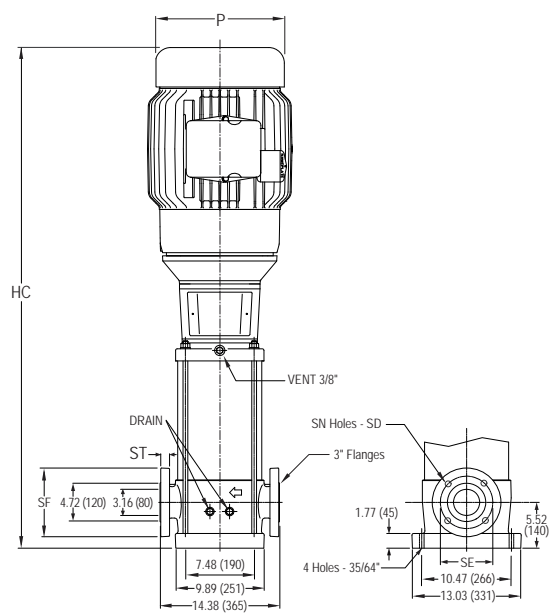
JOB: _____	REPRESENTATIVE: _____
ENGINEER: _____	ORDER NO: _____ DATE: _____
CONTRACTOR: _____	SUBMITTED BY: _____ DATE: _____
	APPROVED BY: _____ DATE: _____

PUMP DESIGN DATA			
NO. OF PUMPS: _____			
TAG: _____			
CAPACITY:	USgpm (L/s)	HEAD:	ft. (m)
LIQUID:		VISCOSITY:	
TEMPERATURE:		SPECIFIC GRAVITY:	
FLANGE SIZE:	SUCTION - 3" (76 mm)	DISCHARGE - 3" (76 mm)	
MAXIMUM WORKING TEMPERATURE: 250°F (120°C)			

MOTOR DESIGN DATA			
HP:		RPM:	3000
FRAME SIZE:		ENCLOSURE:	<input type="checkbox"/> ODP <input type="checkbox"/> TEFC
VOLTS:	HERTZ : 50	PHASE:	<input type="checkbox"/> 1 <input type="checkbox"/> 3
EFFICIENCY: <input type="checkbox"/> ENERGY EFF <input type="checkbox"/> NEMA PREMIUM LEVEL _____ %			

MATERIALS OF CONSTRUCTION	
FLANGE RATING	ANSI 150
PUMP CASING	ANSI 300
IMPELLERS	CAST IRON
STAGE CASING	EN 1.4301 (AISI 304)
DIFFUSERS	EN 1.4301 (AISI 304)
PUMP SHAFT	EN 1.4401 (AISI 316)
JACKET TUBE	EN 1.4301 (AISI 304)
OTHER COMPONENTS	
INTERMEDIATE BEARING	TUNGSTEN CARBIDE
O RINGS	FPM
MOTOR PEDESTAL	Cast iron EN-GJL-200-EN 1561
PUMP BASE	Cast iron EN-GJL-200-EN 1561
MECHANICAL SEAL FACES	Silicon carbide/Carbon/FPM

REMARKS

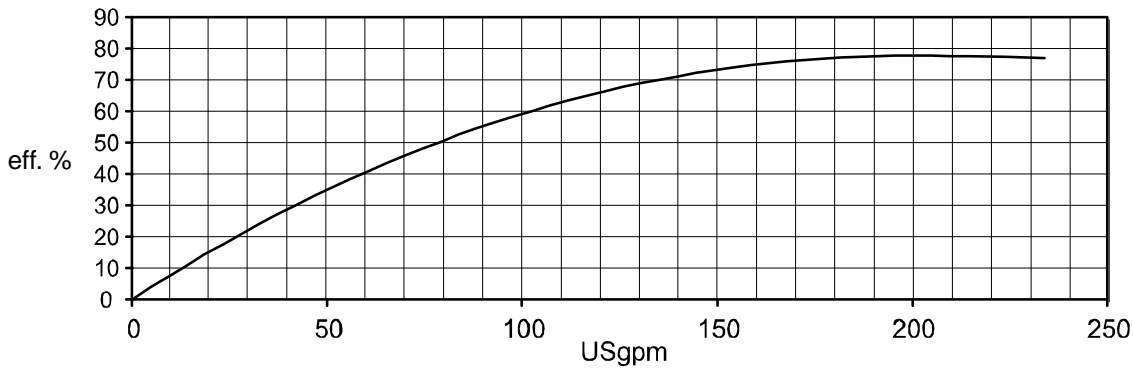
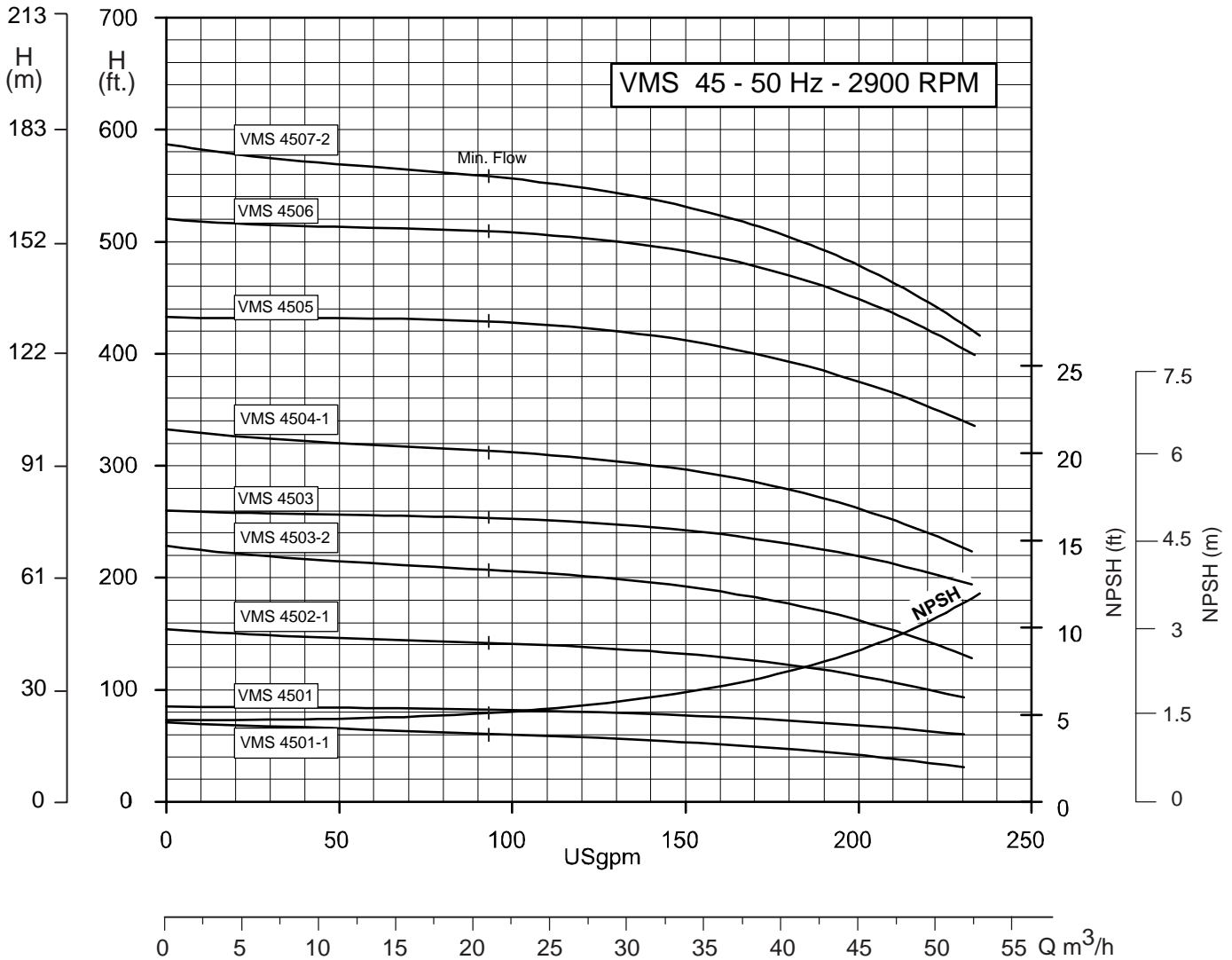


PUMP SIZE	hp	NEMA FRAME	Flange Rating	MWP*	DIMENSIONS							WEIGHT lbs. (kg)
					HC	P	ST	SF	SD	SN	SE	
VMS 4501-1	3	184TC	ANSI 150	232	40.10 (1019)	10.38 (264)	0.94 (24)	7.50 (191)	0.78 (20)	4	6.00 (152)	217
VMS 4501	5	215TC			41.22 (1047)	11.25 (286)						259
VMS 4502-1	7.5	215TC			49.22 (1250)	11.25 (286)						311
VMS 4503-2	15	256TC			55.94 (1421)	13.38 (340)						353
VMS 4503	15	284TSC			58.45 (1485)	15.31 (389)						469
VMS 4504-1	20	286TSC	ANSI 300	370	61.31 (1557)	15.31 (389)	1.20 (31)	8.25 (210)	0.91 (23)	8	6.62 (168)	463
VMS 4505	30	324TSC			64.73 (1644)	15.92 (404)						646
VMS 4506	40	326TSC			69.08 (1755)	15.92 (404)						670
VMS 4507-2	40	326TSC			71.91 (1826)	15.92 (404)						681

All dimensions are in inches (mm) and are approximate.

*Maximum Working Pressure

PERFORMANCE CURVES



S. A. Armstrong Limited
 23 Bertrand Avenue
 Toronto, Ontario
 Canada, M1L 2P3
 T: (416) 755-2291
 F (Main): (416) 759-9101

Armstrong Pumps Inc.
 93 East Avenue
 North Tonawanda, New York
 U.S.A. 14120-6594
 T: (716) 693-8813
 F: (716) 693-8970

Armstrong Holden Brooke Pullen
 Wenlock Way
 Manchester
 United Kingdom, M12 5JL
 T: +44 (0) 161 223 2223
 F: +44 (0) 161 220 9660



© S.A. Armstrong Limited 2010