



FILE NO: 47.564L
 DATE: Feb. 5, 2010
 SUPERSEDES: 47.564L
 DATE: Sept. 25, 2008

Series 4700 Vertical Multi-Stage Pump

VMS 64

SUBMITTAL



JOB: _____ REPRESENTATIVE: _____

ENGINEER: _____ ORDER NO: _____ DATE: _____

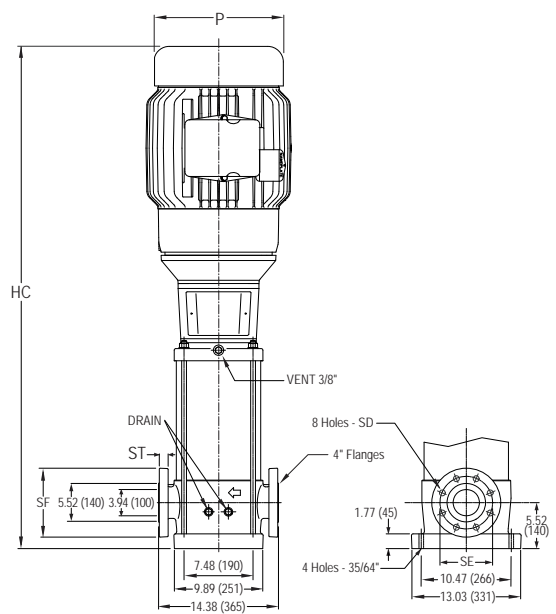
CONTRACTOR: _____ SUBMITTED BY: _____ DATE: _____

APPROVED BY: _____ DATE: _____

PUMP DESIGN DATA			
NO. OF PUMPS:			
TAG:			
CAPACITY:	USgpm (L/s)	HEAD:	ft. (m)
LIQUID:		VISCOSITY:	
TEMPERATURE:		SPECIFIC GRAVITY:	
FLANGE SIZE:	SUCTION - 4" (102mm)	DISCHARGE - 4" (102 mm)	
MAXIMUM WORKING TEMPERATURE: 250°F (120°C)			

MOTOR DESIGN DATA			
HP:		RPM:	3000
FRAME SIZE:		ENCLOSURE:	<input type="checkbox"/> ODP <input type="checkbox"/> TEFC
VOLTS:	HERTZ : 50	PHASE:	<input type="checkbox"/> 1 <input type="checkbox"/> 3
EFFICIENCY: <input type="checkbox"/> ENERGY EFF <input type="checkbox"/> NEMA PREMIUM LEVEL _____ %			

MATERIALS OF CONSTRUCTION	
FLANGE RATING	ANSI 150
	ANSI 300
PUMP CASING	CAST IRON
IMPELLERS	EN 1.4301 (AISI 304)
STAGE CASING	EN 1.4301 (AISI 304)
DIFFUSERS	EN 1.4301 (AISI 304)
PUMP SHAFT	EN 1.4401 (AISI 316)
JACKET TUBE	EN 1.4301 (AISI 304)
OTHER COMPONENTS	
INTERMEDIATE BEARING	TUNGSTEN CARBIDE
"O" RINGS	FPM
MOTOR PEDESTAL	Cast iron EN-GJL-200-EN 1561
PUMP BASE	Cast iron EN-GJL-200-EN 1561
MECHANICAL SEAL FACES	Silicon carbide/Carbon/FPM



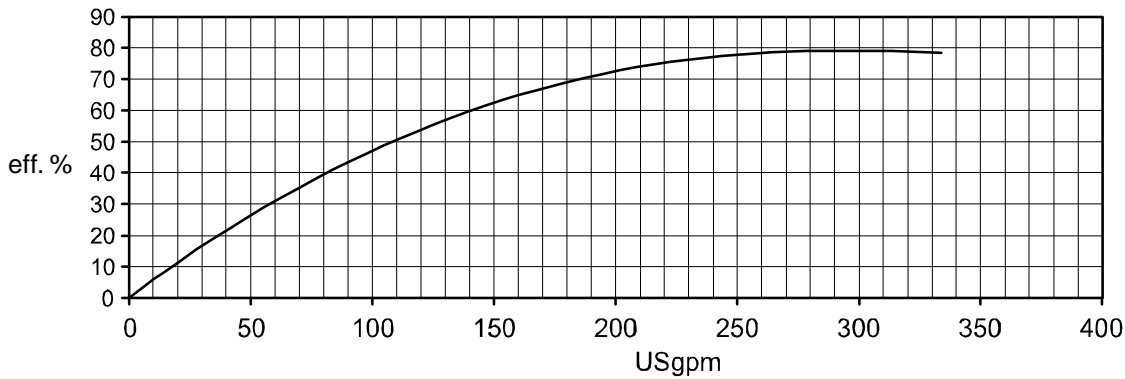
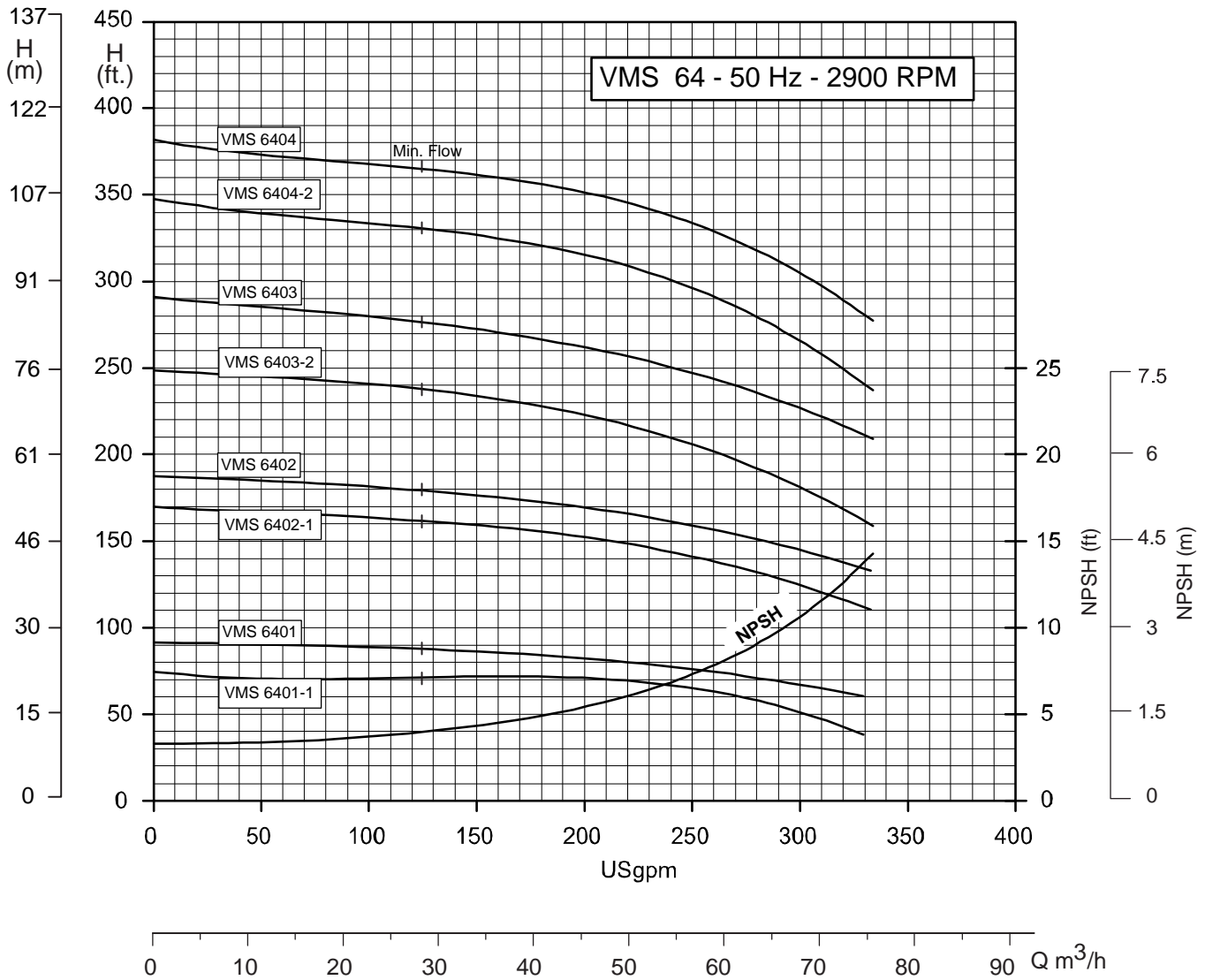
REMARKS

PUMP SIZE	hp	NEMA FRAME	Flange Rating	MWP*	DIMENSIONS						WEIGHT lbs. (kg)
					HC	P	ST	SF	SD	SE	
VMS 6401-1	7.5	215TC	ANSI 150	232	41.22 (1047)	11.25 (286)	1.03 (26)	9.00 (229)	0.78 (20)	7.50 (190)	298
VMS 6401	7.5	215TC			46.40 (1178)	11.25 (286)					320
VMS 6402-1	15	256TC			53.11 (1349)	13.38 (340)					359
VMS 6402	15	284TSC			55.64 (1413)	15.31 (389)					475
VMS 6403-2	20	286TSC			58.48 (1485)	15.31 (389)					455
VMS 6403	25	324TSC			59.08 (1501)	15.92 (404)					600
VMS 6404-2	30	324TSC	ANSI 300	370	61.91 (1572)	15.92 (404)	1.33 (34)	10.00 (254)	0.91 (23)	7.88 (200)	631
VMS 6404	30	326TSC			63.41 (1611)	15.92 (404)					637

All dimensions are in inches (mm) and are approximate.
 *Maximum Working Pressure

ARMSTRONG

PERFORMANCE CURVES



S. A. Armstrong Limited
 23 Bertrand Avenue
 Toronto, Ontario
 Canada, M1L 2P3
 T: (416) 755-2291
 F (Main): (416) 759-9101

Armstrong Pumps Inc.
 93 East Avenue
 North Tonawanda, New York
 U.S.A. 14120-6594
 T: (716) 693-8813
 F: (716) 693-8970

Armstrong Holden Brooke Pullen
 Wenlock Way
 Manchester
 United Kingdom, M12 5JL
 T: +44 (0) 161 223 2223
 F: +44 (0) 161 220 9660



© S.A. Armstrong Limited 2010

For Armstrong locations worldwide, please visit www.armstrongintegrated.com