

Series 4700 Vertical Multi-Stage Pump

VMS 05

SUBMITTAL

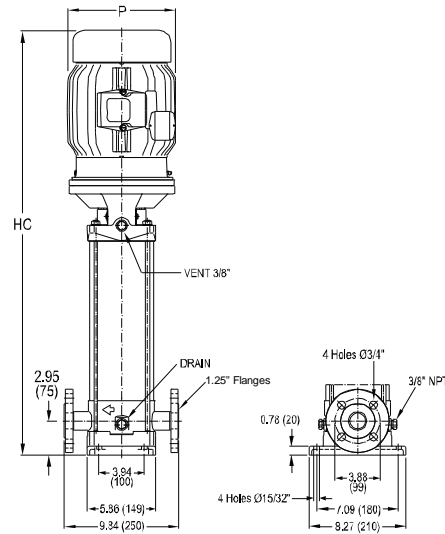


JOB: _____	REPRESENTATIVE: _____
ENGINEER: _____	ORDER NO: _____ DATE: _____
CONTRACTOR: _____	SUBMITTED BY: _____ DATE: _____
	APPROVED BY: _____ DATE: _____

PUMP DESIGN DATA	
NO. OF PUMPS:	
TAG:	
CAPACITY: USgpm (L/s)	HEAD: ft. (m)
LIQUID:	VISCOSITY:
TEMPERATURE:	SPECIFIC GRAVITY:
FLANGE SIZE: SUCTION - 1.25" (32 mm)	DISCHARGE - 1.25" (32 mm)
MAXIMUM WORKING TEMPERATURE:	250°F (120°C)

MOTOR DESIGN DATA	
HP:	RPM: 3000
FRAME SIZE:	ENCLOSURE: <input type="checkbox"/> ODP <input type="checkbox"/> TEFC
VOLTS:	HERTZ: 50 PHASE: <input type="checkbox"/> 1 <input type="checkbox"/> 3
EFFICIENCY:	<input type="checkbox"/> ENERGY EFF <input type="checkbox"/> NEMA PREMIUM LEVEL _____ %

MATERIALS OF CONSTRUCTION	
FLANGE RATING	ANSI 250
PUMP CASING	EN 1.4301 (AISI 304)
IMPELLERS	EN 1.4301 (AISI 304)
STAGE CASING	EN 1.4301 (AISI 304)
DIFFUSERS	EN 1.4301 (AISI 304)
PUMP SHAFT	EN 1.4401 (AISI 316)
JACKET TUBE	EN 1.4301 (AISI 304)
OTHER COMPONENTS	
INTERMEDIATE BEARING	TUNGSTEN CARBIDE
"O" RINGS	FPM
MOTOR PEDESTAL	Cast iron EN-GJL-200-EN 1561
PUMP BASE	Cast iron EN-GJL-200-EN 1561
MECHANICAL SEAL FACES	Silicon carbide/Carbon/FPM



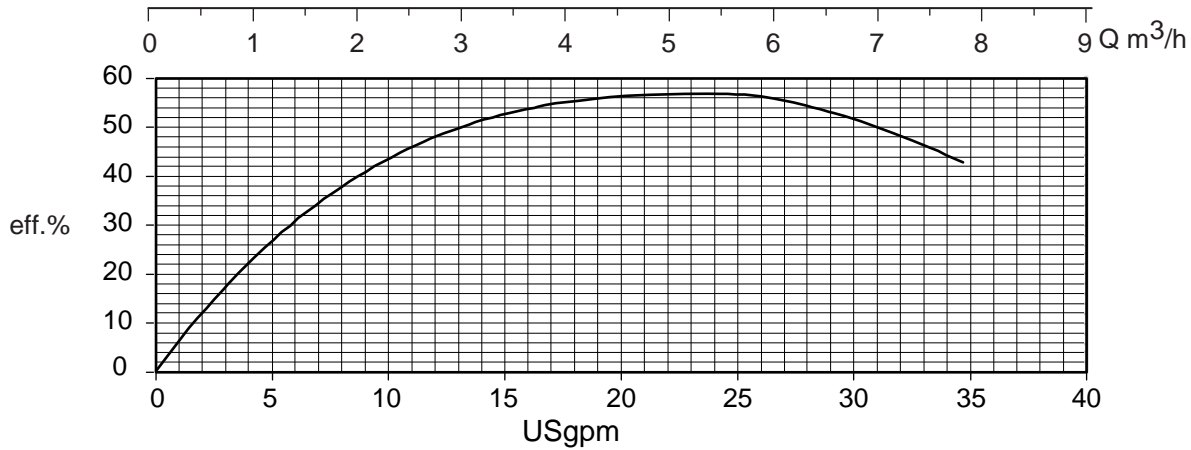
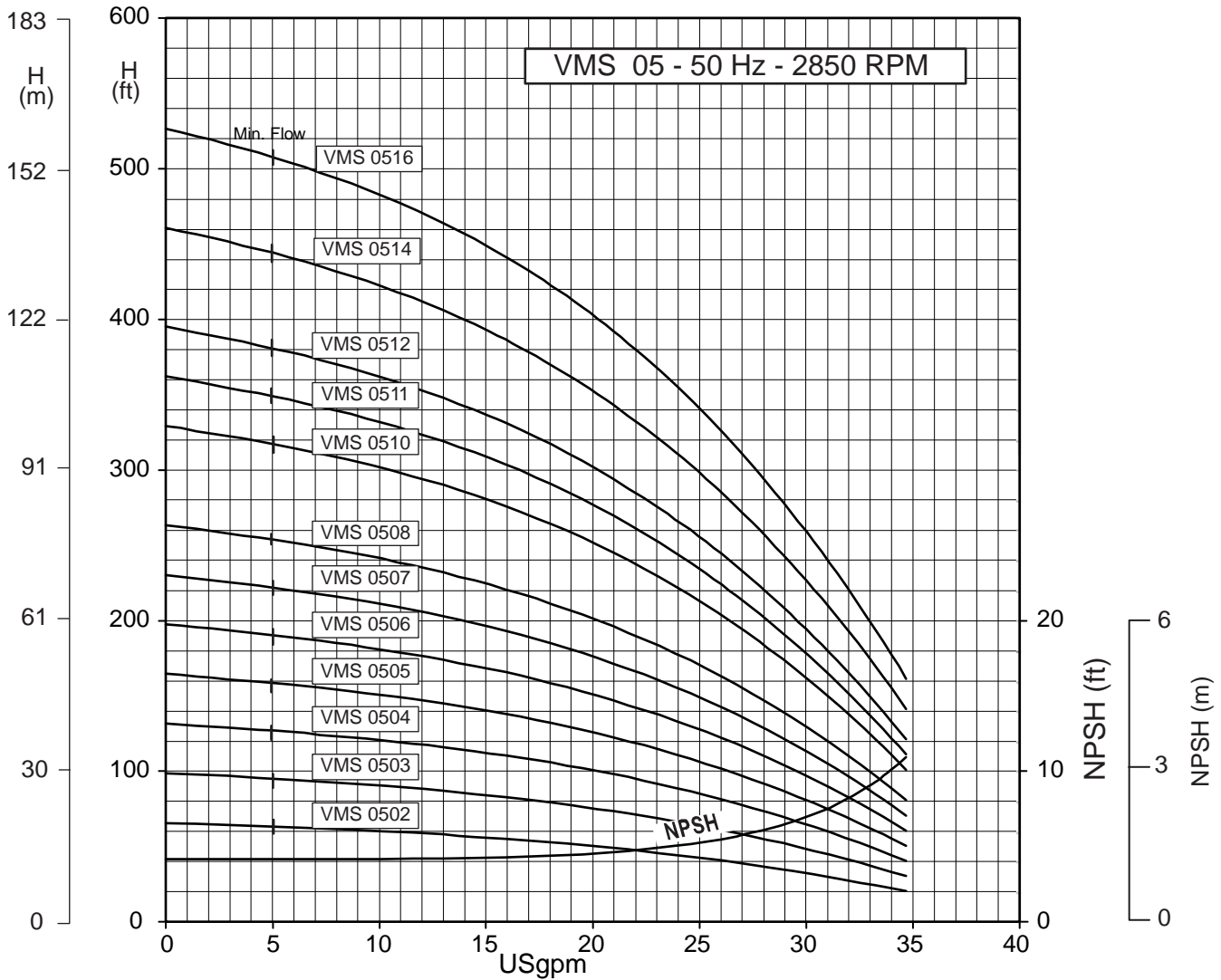
REMARKS

PUMP SIZE	hp	NEMA FRAME	MWP*	DIMENSIONS		WEIGHT
				HC	P	
VMS 0502	0.5	56C	232	23.63 (600)	7.25 (184)	60.70
VMS 0503	0.75	143TC		25.07 (637)	8.63 (219)	73.80
VMS 0504	1	145TC		26.70 (678)	8.63 (219)	75.80
VMS 0505	1.5	145TC		27.79 (706)	8.63 (219)	79.10
VMS 0506	1.5	145TC		29.67 (754)	8.63 (219)	80.40
VMS 0507	2	145TC		31.17 (792)	8.63 (219)	89.20
VMS 0508	2	145TC		32.26 (819)	8.63 (219)	90.50
VMS 0510	3	184TC		38.07 (967)	10.38 (264)	124.80
VMS 0511	3	184TC	370	39.18 (995)	10.38 (264)	127.20
VMS 0512	3	184TC		40.27 (1023)	10.38 (264)	128.70
VMS 0514	5	184TC		43.97 (1117)	10.38 (264)	139.80
VMS 0516	5	184TC		46.21 (1174)	10.38 (264)	142.70

All dimensions are in inches (mm) and are approximate.

*Maximum Working Pressure

PERFORMANCE CURVES



S. A. Armstrong Limited
 23 Bertrand Avenue
 Toronto, Ontario
 Canada, M1L 2P3
 T: (416) 755-2291
 F (Main): (416) 759-9101

Armstrong Pumps Inc.
 93 East Avenue
 North Tonawanda, New York
 U.S.A. 14120-6594
 T: (716) 693-8813
 F: (716) 693-8970

Armstrong Holden Brooke Pullen
 Wenlock Way
 Manchester
 United Kingdom, M12 5JL
 T: +44 (0) 161 223 2223
 F: +44 (0) 161 220 9660

