

Series 4700 Vertical Multi-Stage Pump

VMS 10

SUBMITTAL



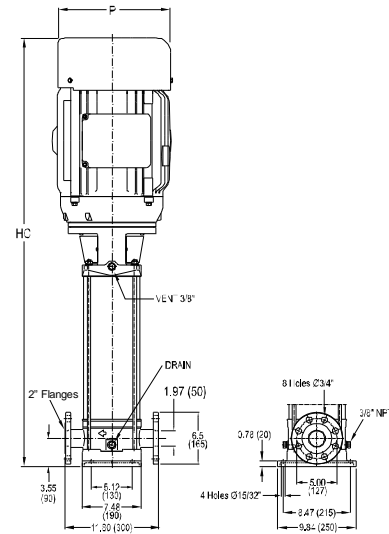
| | |
|-------------------|---------------------------------|
| JOB: _____ | REPRESENTATIVE: _____ |
| ENGINEER: _____ | ORDER NO: _____ DATE: _____ |
| CONTRACTOR: _____ | SUBMITTED BY: _____ DATE: _____ |
| | APPROVED BY: _____ DATE: _____ |

| PUMP DESIGN DATA | | | |
|--|----------------------|------------------------|---------|
| NO. OF PUMPS: _____ | | | |
| TAG: _____ | | | |
| CAPACITY: | USgpm (L/s) | HEAD: | ft. (m) |
| LIQUID: | | VISCOSITY: | |
| TEMPERATURE: | | SPECIFIC GRAVITY: | |
| FLANGE SIZE: | SUCTION - 2" (51 mm) | DISCHARGE - 2" (51 mm) | |
| MAXIMUM WORKING TEMPERATURE: 250°F (120°C) | | | |

| MATERIALS OF CONSTRUCTION | |
|---------------------------|------------------------------|
| FLANGE RATING | ANSI 250 |
| PUMP CASING | EN 1.4301 (AISI 304) |
| IMPELLERS | EN 1.4301 (AISI 304) |
| STAGE CASING | EN 1.4301 (AISI 304) |
| DIFFUSERS | EN 1.4301 (AISI 304) |
| PUMP SHAFT | EN 1.4401 (AISI 316) |
| JACKET TUBE | EN 1.4301 (AISI 304) |
| OTHER COMPONENTS | |
| INTERMEDIATE BEARING | TUNGSTEN CARBIDE |
| "O" RINGS | FPM |
| MOTOR PEDESTAL | Cast iron EN-GJL-200-EN 1561 |
| PUMP BASE | Cast iron EN-GJL-200-EN 1561 |
| MECHANICAL SEAL FACES | Silicon carbide/Carbon/FPM |

| REMARKS |
|---------|
| |

| MOTOR DESIGN DATA | | | |
|---|------------|------------|--|
| HP: | | RPM: | 3000 |
| FRAME SIZE: | | ENCLOSURE: | <input type="checkbox"/> ODP <input type="checkbox"/> TEFC |
| VOLTS: | HERTZ : 50 | PHASE: | <input type="checkbox"/> 1 <input type="checkbox"/> 3 |
| EFFICIENCY: <input type="checkbox"/> ENERGY EFF <input type="checkbox"/> NEMA PREMIUM LEVEL _____ % | | | |



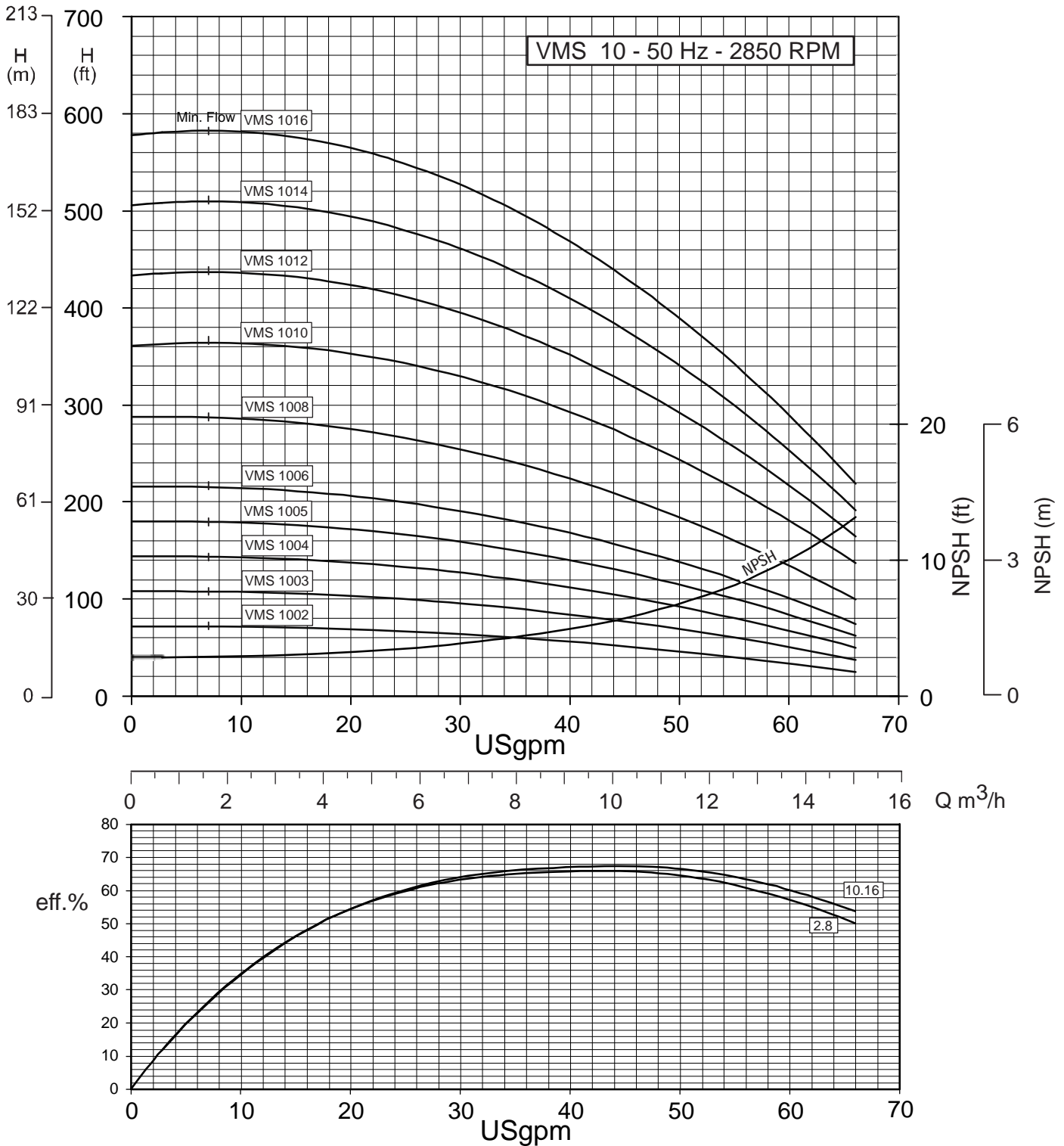
| PUMP SIZE | hp | NEMA FRAME | MWP* | DIMENSIONS | | WEIGHT |
|-----------|-----|------------|------|--------------|-------------|--------|
| | | | | HC | P | |
| VMS 1002 | 1 | 143TC | 232 | 25.77 (654) | 8.63 (219) | 161.90 |
| VMS 1003 | 1.5 | 145TC | | 28.51 (724) | 8.63 (219) | 171.20 |
| VMS 1004 | 2 | 145TC | | 30.08 (764) | 8.63 (219) | 189.80 |
| VMS 1005 | 3 | 184TC | | 35.36 (898) | 10.38 (264) | 221.80 |
| VMS 1006 | 3 | 184TC | | 36.55 (928) | 10.38 (264) | 229.10 |
| VMS 1008 | 5 | 184TC | | 40.43 (1027) | 10.38 (264) | 267.10 |
| VMS 1010 | 5 | 213TC | 370 | 43.40 (1102) | 10.38 (264) | 271.60 |
| VMS 1012 | 5 | 215TC | | 46.88 (1191) | 11.25 (286) | 349.20 |
| VMS 1014 | 7.5 | 215TC | | 49.41 (1255) | 11.25 (286) | 373.30 |
| VMS 1016 | 7.5 | 215TC | | 51.77 (1315) | 11.25 (286) | 398.10 |

All dimensions are in inches (mm) and are approximate.

*Maximum Working Pressure



PERFORMANCE CURVES



S. A. Armstrong Limited
 23 Bertrand Avenue
 Toronto, Ontario
 Canada, M1L 2P3
 T: (416) 755-2291
 F (Main): (416) 759-9101

Armstrong Pumps Inc.
 93 East Avenue
 North Tonawanda, New York
 U.S.A. 14120-6594
 T: (716) 693-8813
 F: (716) 693-8970

Armstrong Holden Brooke Pullen
 Wenlock Way
 Manchester
 United Kingdom, M12 5JL
 T: +44 (0) 161 223 2223
 F: +44 (0) 161 220 9660



© S.A. Armstrong Limited 2010