

FUEL SYSTEM | SINGLE WALL TANK | SUBMITTAL DRAWING

File No: F43-454
Date: NOVEMBER 28, 2022
Supersedes: F43-454
Date: MARCH 15, 2022

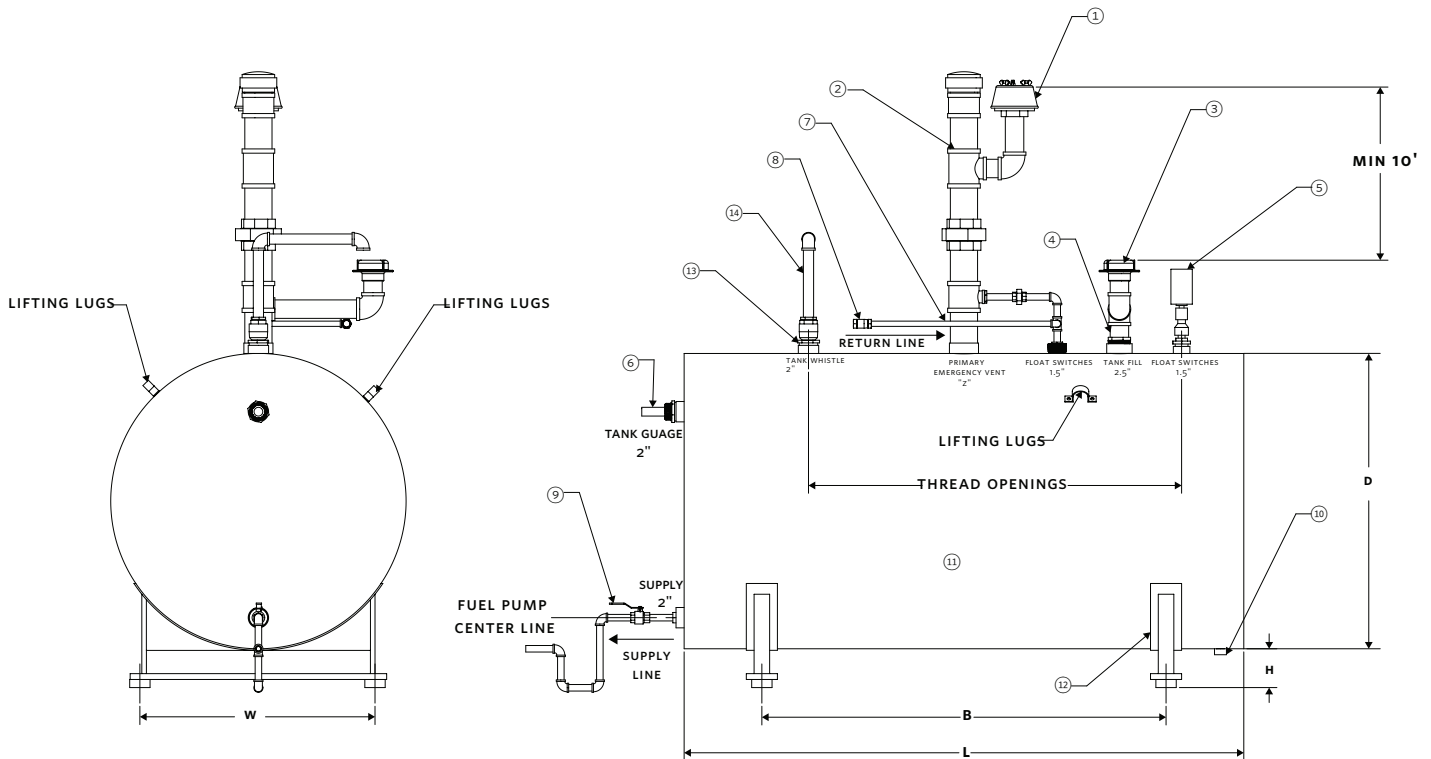
Job: _____ Representative: _____

Order No: _____ Date: _____

Engineer: _____ Submitted by: _____ Date: _____

Contractor: _____ Approved by: _____ Date: _____

NOTE: As per NFPA 20, 2022 section 11.4.1.3



LIST OF MATERIALS

ITEM	DESCRIPTION	PART NUMBER
1*	FLAME ARRESTER	101345
2	VENT PIPE - (REF: Z DIMENSIONS)	By Others
3*	FILL CAP	With Tank
4	FILL PIPE - 2" (51 mm)	By Others
5	FUEL LEVEL SWITCH	By Others
6*	LEVEL GAUGE	With Tank
7	FUEL LINE	By Others

ITEM	DESCRIPTION	PART NUMBER
8*	CHECK VALVE	D975040-701
9*	MANUAL VALVE (NOTE 1)	D975060-702
10*	DRAIN PLUG - 1" NPT (NOTE 2)	With Tank
11*	FUEL TANK (NOTE 4)	With Tank
12*	TANK SUPPORT	With Tank
13*	TANK WHISTLE	D145900-000
14	1 1/4" VENT PIPE	By Others

*Supplied by pump manufacturer

TANK DIMENSIONS AND WEIGHTS

PART NUMBER	TANK CAPACITY Usgal (ltrs)	DIMENSIONS in inch (mm)						WEIGHT lbs. (kg)
		B	D	H	L	W	Z	
D145003-000	80(303)	16.31(414)	28.00(711)	4.75(120.7)	30.51(775)	24.75(629)	3.00(75)	84(38.0)
D145003-002	100(379)	24.00(610)	28.00(711)	4.75(120.7)	38.22(971)	24.75(629)	3.00(75)	96(44.0)
D145003-001	120(454)	24.00(610)	28.00(711)	4.75(120.7)	45.00(1143)	27.00(679)	3.00(75)	194(87.0)
D145003-003	180(680)	40.00(1016)	30.00(762)	4.75(120.7)	60.00(1524)	27.00(679)	3.00(75)	269(121.0)
D145003-005	240(907)	29.00(737)	38.00(965)	4.75(120.7)	49.00(1245)	30.00(768)	3.00(75)	309(139.0)
D145003-007	300(1134)	41.00(1041)	38.00(965)	4.75(120.7)	61.00(1549)	30.00(768)	3.00(75)	349(157.0)
D145003-009	350(1323)	52.00(1321)	38.00(965)	4.75(120.7)	72.00(1829)	30.00(768)	3.00(75)	385(173.0)
D145003-011	500(1890)	44.00(1118)	48.00(1219)	4.75(120.7)	64.00(1626)	38.00(959)	4.00(100)	488(220.0)
D145003-013	750(2835)	72.00(1829)	48.00(1219)	4.75(120.7)	96.00(2438)	38.00(959)	4.00(100)	625(281.0)
D145003-015	1000(3780)	104.00(2642)	48.00(1219)	4.75(120.7)	128.00(3251)	38.00(959)	6.00(150)	964(434.0)

NOTE:

- 1 Manual valve must be locked open or central station supervised.
- 2 A 1" drain valve must be used instead of drain plug when not subject to freezing.
- 3 Tank size as per NFPA20 2022 section 11.4.1.3.
- 4 Tank is designed, fabricated, tested and labeled per UL 142 & ULCS601-07.
- 5 1¼" and 2" pipe leg and diesel fuel supplied by others.
- 6 Dimensions are not used for construction purposes unless certified. Data subject to change without notice.

TORONTO

+1 416 755 2291

BUFFALO

+1 716 693 8813

DROITWICH SPA

+44 121 550 5333

MANCHESTER

+44 161 223 2223

BANGALORE

+91 80 4906 3555

SHANGHAI

+86 21 5237 0909

BEIJING

+86 21 5237 0909

SÃO PAULO

+55 11 4785 1330

LYON

+33 4 26 83 78 74

DUBAI

+971 4 887 6775

MANNHEIM

+49 621 3999 9858

JIMBOLIA

+40 256 360 030