

PRESO VENTURI TYPE FLOW METER | SUBMITTAL

File No: F43-4592
 Date: FEBRUARY 19, 2016
 Supersedes: F43-459
 Date: APRIL 15, 2001

Job: _____ Representative: _____

Order No: _____ Date: _____

Engineer: _____ Submitted by: _____ Date: _____

Contractor: _____ Approved by: _____ Date: _____

CONSTRUCTION & SPECIFICATIONS

Materials: Carbon steel ASTM A53 /
 Carbon steel insert

Valves: 1/4" MSAE flare brass ball

Flange option: 150# ANSI B 16.5 OR
 300# ANSI B 16.5

Id tag: Polycarbonate

METER DATA

Dial standard: 4"

Construction: Brass body

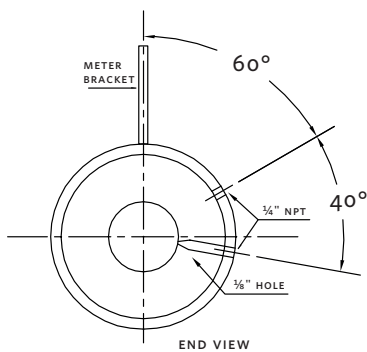
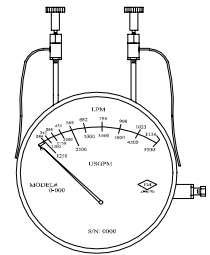
Operation: Diaphragm (Beryllium copper)

Accuracy: ±1.75% full scale

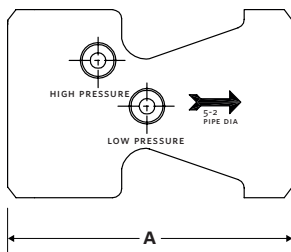
Temperature: 180°F (80°C)

Pressure: 500 PSIG (3450 kpa)

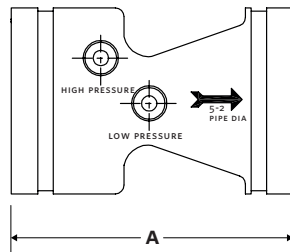
Approx. Weight: 3.75 lbs (1.7 kg)



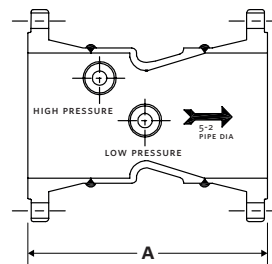
BUTT WELD/GROOVED



BUTT WELD



GROOVED



FLANGED

2

PIPE SIZE	FLOW USGPM	METER RANGE MIN & MAX GPM	BUTT WELD / GROOVED		150 # FLANGE		300# FLANGE	
			A	WEIGHTS	A	WEIGHTS	A	WEIGHTS
2"	50	25-100	6.00 (152)	3 (1.4)	11.60 (295)	15 (6.8)	11.60 (295)	21 (9.5)
2½"	100	50-200	6.00 (152)	3 (1.4)	11.60 (295)	19 (8.6)	12.60 (320)	27 (12.2)
3"	150	75-300	6.00 (152)	5 (2.3)	11.60 (295)	25 (11.3)	12.40 (315)	35 (15.9)
	200	100-400						
4"	250	125-500	7.00 (178)	7 (3.2)	13.10 (333)	37 (16.8)	13.90 (353)	57 (25.9)
	300	150-600						
	400	200-800						
	450	225-900						
5"	500	250-1000	8.50 (216)	9 (4.1)	15.60 (396)	47 (21.3)	16.40 (417)	73 (33.1)
	750	375-1500						
6"	1000	500-2000	9.50 (241)	17 (7.7)	16.60 (422)	65 (29.5)	17.40 (442)	101 (45.8)
	1250	625-2500						
8"	1500	750-3000	13.50 (343)	35 (15.9)	21.60 (549)	113 (51.2)	22.40 (569)	169 (76.6)
	2000	1000-4000						
	2500	1250-5000						
	3000	1500-6000						
10"	3500	1750-7000	16.00 (406)	59 (26.8)	24.10 (612)	163 (74.0)	25.40 (645)	241 (109.3)
	4000	2000-8000						
	4500	2250-9000						
12"	5000	2500-10000	17.30 (439)	106 (48.1)	26.40 (670)	266 (120.7)	27.60 (701)	386 (175.1)

NOTE: Dimensions are in inches (mm)
Weights are in lbs (kg)

TORONTO

+1 416 755 2291

BUFFALO

+1 716 693 8813

BIRMINGHAM

+44 (0) 8444 145 145

MANCHESTER

+44 (0) 8444 145 145

BANGALORE

+91 (0) 80 4906 3555

SHANGHAI

+86 21 3756 6696

SÃO PAULO

+55 11 4781 5500