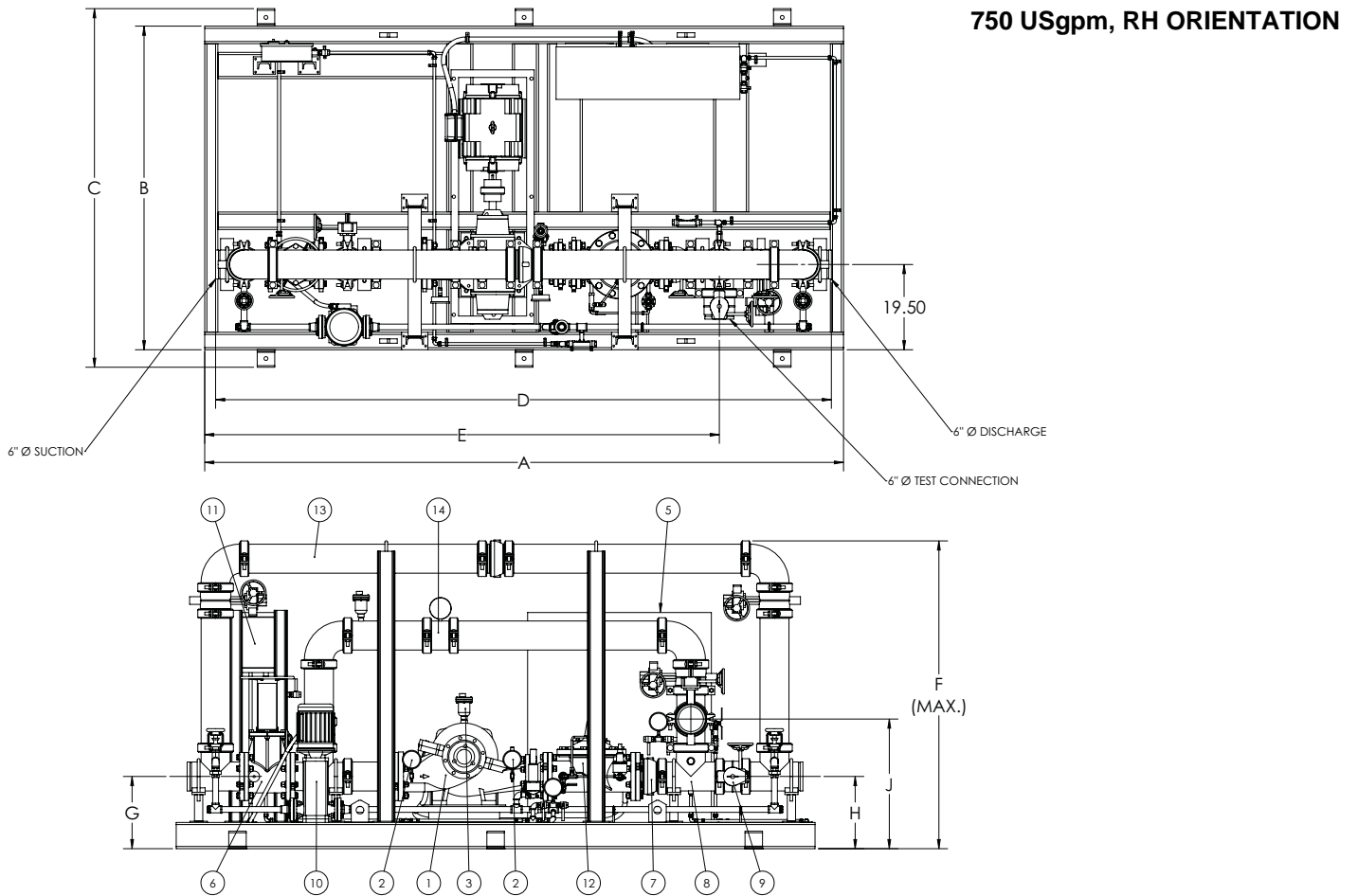


Series 4600 Horizontal Split Case

SUBMITTAL

JOB: _____	REPRESENTATIVE: _____
ENGINEER: _____	ORDER NO: _____ DATE: _____
CONTRACTOR: _____	SUBMITTED BY: _____ DATE: _____
	APPROVED BY: _____ DATE: _____

TAG/REF:											
PUMP DATA	FLOW		HEAD		MOTOR DATA	HP	RPM	VOLT	PH	Hz	ENCLOSURE



PUMP	HP		MAX. DIMENSIONS Inches (mm)									MAX. lbs (kg)
	ODP	TEFC	A	B	C	D	E	F	G	H	J	
5x4x10LF	60-125		146.00 (3708)	74.00 (1880)	82.00 (2083)	134.73 (3422)	114.62 (2911)	72.00 (1829)	15.97 (406)	16.50 (419)	29.62 (752)	6,400 (2903.0)
6x5x12HF	30-50		146.00 (3708)	74.00 (1880)	82.00 (2083)	140.73 (3575)	117.62 (2988)	70.00 (1778)	16.50 (419)	16.50 (419)	29.62 (752)	6,000 (2721.6)
6x5x12MF	150	---	146.00/156.00* (3708/3962*)	74.00 (1880)	82.00 (2083)	140.73 (3575)	117.62 (2988)	72.00 (1829)	16.50 (419)	16.50 (419)	29.62 (752)	6,200/ 6,700* (2812.3/3039.1*)
6x5x12MF	---	150.00	146.00/156.00* (3708/3962*)	80.00 (2032)	88.00 (2235)	140.73 (3575)	117.62 (2988)	72.00 (1829)	18.00 (457)	18.00 (457)	31.12 (790)	7,200/ 7,700* (3265.9/3492.7*)
6x5x12MF	200-250	---	146.00/166.00* (3708/4216*)	80.00 (2032)	88.00 (2235)	140.73 (3575)	117.62 (2988)	86.00 (2184)	18.00 (457)	18.00 (457)	31.12 (790)	7,000/ 7,800* (3175.1/3538.0*)
6x5x12MF	---	200-250	146.00/166.00* (3708/4216*)	93.00 (2362)	101.00 (2565)	140.73 (3575)	117.62 (2988)	86.00 (2184)	18.00 (457)	18.00 (457)	31.12 (790)	8,400/ 9,200* (3810.2/4173.1*)
8x6x16F	60-75		146.00 (3708)	74.00 (1880)	82.00 (2083)	139.11 (3533)	116.94 (2970)	70.00 (1778)	17.75 (451)	16.75 (425)	29.88 (759)	6,700 (3039.1)

Note: * Indicates figures for systems without / with a transfer switch

ITEM No.	DESCRIPTION	QTY.
1	HSC FIRE PUMP & MOTOR	1
2	PUMP SUCTION / DISCHARGE GAUGE	2
3	PUMP CASING AIR RELEASE VALVE	1
4	PUMP CASING RELIEF VALVE	1
5	FIRE PUMP CONTROLLER	1
6	SUCTION OS&Y GATE VALVE, 6" FLANGED	1
7	CHECK VALVE, 6" GROOVED	1
8	TEST TEE, 6" GROOVED	1
9	DISCHARGE BUTTERFLY VALVE, 6" GROOVED	1
10	VMS JOCKEY PUMP & MOTOR	1 (OPT)
11	JOCKEY PUMP CONTROLLER	1 (OPT)
12	SUCTION CONTROL VALVE, 6" FLANGED	1 (OPT)
13	CITY BYPASS LOOP, c/w 6" CHECK VALVE & 6" ISOLATION BUTTERFLY VALVES	1 (OPT)
14	FLOW METER LOOP c/w 6" VENTURI METER, AIR RELEASE & 6" ISOLATION BUTTERFLY VALVES (OPTIONAL)	1 (OPT)

S. A. Armstrong Limited
 23 Bertrand Avenue
 Toronto, Ontario
 Canada, M1L 2P3
 T: 416-755-2291
 F: 416-759-9101

Armstrong Pumps Inc.
 93 East Avenue
 North Tonawanda, New York
 U.S.A. 14120-6594
 T: 716-693-8813
 F: 716-693-8970

Armstrong Integrated Limited
 Wenlock Way
 Manchester
 United Kingdom, M12 5JL
 T: +44 (0) 8444 145 145
 F: +44 (0) 8444 145 146

