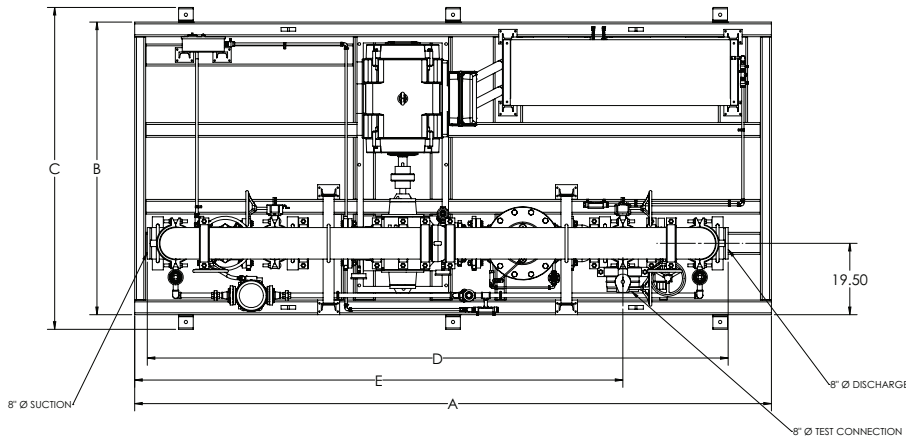


## Series 4600 Horizontal Split Case

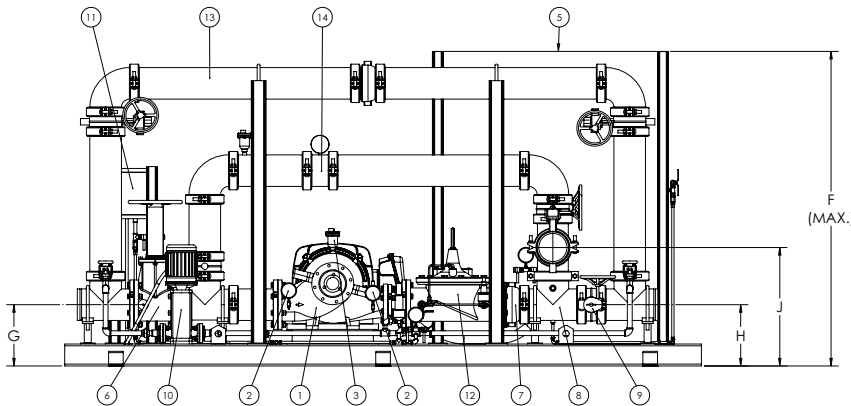
## SUBMITTAL

JOB: _____	REPRESENTATIVE: _____
ENGINEER: _____	ORDER NO: _____ DATE: _____
CONTRACTOR: _____	SUBMITTED BY: _____ DATE: _____
	APPROVED BY: _____ DATE: _____

TAG/REF:											
PUMP DATA	FLOW		HEAD		MOTOR DATA	HP	RPM	VOLT	PH	Hz	ENCLOSURE



**1500 USgpm, RH ORIENTATION**



PUMP MODEL	HP		MAX. DIMENSIONS Inches (mm)										MAX. WEIGHT
	ODP	TEFC	A	B	C	D	E	F	G	H	J	lbs (kg)	
8x6x10LF	150	---	166.00 (4216)	74.00 (1880)	82.00 (2083)	156.73 (3981)	132.41 (3363)	84.00 (2134)	16.50 (419)	16.50 (419)	32.12 (816)	8,200 (3719.5)	
8x6x10LF	---	150	166.00 (4216)	80.00 (2032)	88.00 (2235)	156.73 (3981)	132.41 (3363)	84.00 (2134)	18.00 (457)	18.00 (457)	33.62 (854)	9,200 (4173.1)	
8x6x10LF	200-250	---	174.00 (4420)	80.00 (2032)	88.00 (2235)	156.73 (3981)	132.41 (3363)	86.00 (2184)	18.00 (457)	18.00 (457)	33.62 (854)	9,200 (4173.1)	
8x6x10LF	---	200-250	174.00 (4420)	92.00 (2337)	100.00 (2540)	156.73 (3981)	132.41 (3363)	86.00 (2184)	18.00 (457)	18.00 (457)	33.62 (854)	10,200 (4626.6)	
8x6x12.5HF	60-100	---	166.00 (4216)	74.00 (1880)	82.00 (2083)	158.73 (4032)	133.41 (3389)	84.00 (2134)	16.75 (425)	16.75 (425)	32.38 (822)	8,700 (3946.3)	
8x6x12.5LF	250	---	174.00 (4420)	80.00 (2032)	88.00 (2235)	158.73 (4032)	133.41 (3389)	86.00 (2184)	16.75 (425)	16.75 (425)	32.38 (822)	9,300 (4218.4)	
8x6x12.5LF	---	250	174.00 (4420)	92.00 (2337)	100.00 (2540)	158.73 (4032)	133.41 (3389)	86.00 (2184)	16.75 (425)	16.75 (425)	32.38 (822)	10,600 (4808.1)	
8x6x15MF	100-125	100	166.00 (4216)	74.00 (1880)	82.00 (2083)	160.73 (4083)	134.41 (3414)	84.00 (2134)	16.75 (425)	16.75 (425)	32.38 (822)	8,700 (3946.3)	
8x6x15MF	---	125	166.00 (4216)	80.00 (2032)	88.00 (2235)	160.73 (4083)	134.41 (3414)	84.00 (2134)	16.75 (425)	16.75 (425)	32.38 (822)	9,200 (4173.1)	
8x6x15HF	150	---	166.00 (4216)	80.00 (2032)	88.00 (2235)	160.73 (4083)	134.41 (3414)	84.00 (2134)	16.75 (425)	16.75 (425)	32.38 (822)	9,400 (4263.8)	
8x6x16F	125	---	166.00 (4216)	74.00 (1880)	82.00 (2083)	160.73 (4083)	134.41 (3414)	84.00 (2134)	16.75 (425)	16.75 (425)	32.38 (822)	8,300 (3764.8)	
8x6x16F	---	125	166.00 (4216)	80.00 (2032)	88.00 (2235)	160.73 (4083)	134.41 (3414)	84.00 (2134)	16.75 (425)	16.75 (425)	32.38 (822)	9,000 (4082.3)	
10x8x20F	150	150	186.00 (4724)	112.00 (2845)	120.00 (3048)	186.03 (4725)	157.23 (3994)	104.50 (2654)	25.50 (648)	25.50 (648)	41.04 (1042)	10400 (4718.0)	

ITEM No.	DESCRIPTION	QTY.
1	HSC FIRE PUMP & MOTOR	1
2	PUMP SUCTION / DISCHARGE GAUGE	2
3	PUMP CASING AIR RELEASE VALVE	1
4	PUMP CASING RELIEF VALVE (HIDDEN)	1
5	FIRE PUMP CONTROLLER	1
6	SUCTION OS&Y GATE VALVE, 8" FLANGED	1
7	CHECK VALVE, 8" GROOVED	1
8	TEST TEE, 8" GROOVED	1
9	DISCHARGE BUTTERFLY VALVE, 8" GROOVED	1
10	VMS JOCKEY PUMP & MOTOR	1 (OPT)
11	JOCKEY PUMP CONTROLLER	1 (OPT)
12	SUCTION CONTROL VALVE, 8" FLANGED (OPTIONAL)	1 (OPT)
13	CITY BYPASS LOOP, c/w 8" CHECK VALVE & 8" ISOLATION BUTTERFLY VALVES	1 (OPT)
14	FLOW METER LOOP c/w 8" VENTURI METER, AIR RELEASE & 8" ISOLATION BUTTERFLY VALVES	1 (OPT)

**S. A. Armstrong Limited**  
 23 Bertrand Avenue  
 Toronto, Ontario  
 Canada, M1L 2P3  
 T: 416-755-2291  
 F: 416-759-9101

**Armstrong Pumps Inc.**  
 93 East Avenue  
 North Tonawanda, New York  
 U.S.A. 14120-6594  
 T: 716-693-8813  
 F: 716-693-8970

**Armstrong Integrated Limited**  
 Wenlock Way  
 Manchester  
 United Kingdom, M12 5JL  
 T: +44 (0) 8444 145 145  
 F: +44 (0) 8444 145 146

