

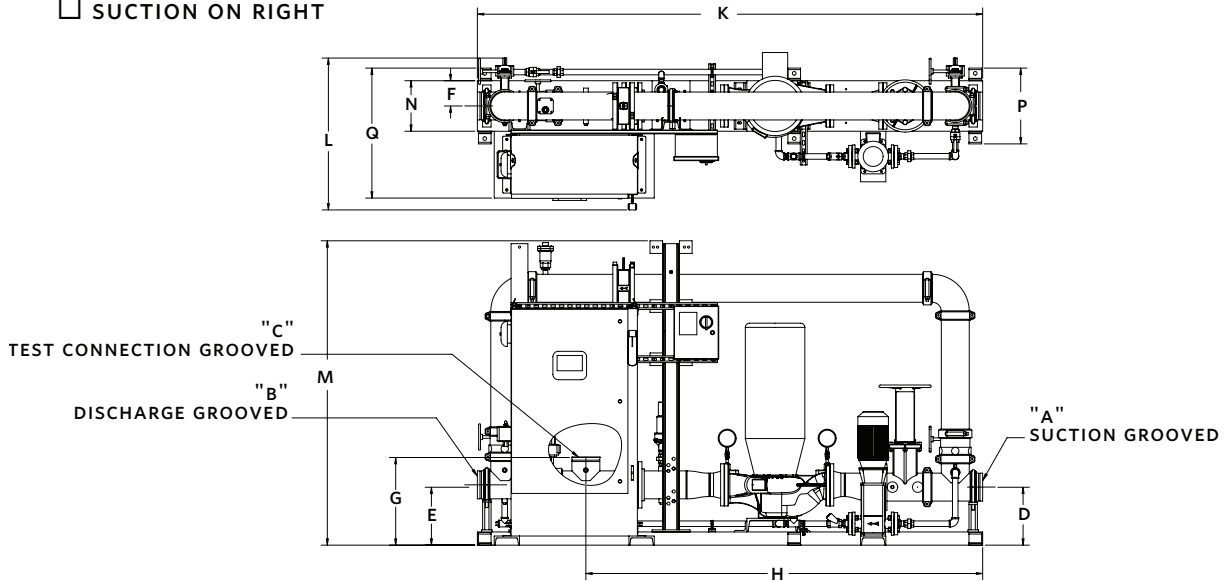
VERTICAL IN-LINE FIREPAK | BYPASS AND JOCKEY PUMP | SUBMITTAL

File No: F43.1056
 Date: DECEMBER 30, 2021
 Supersedes: F43.1056
 Date: APRIL 10, 2019

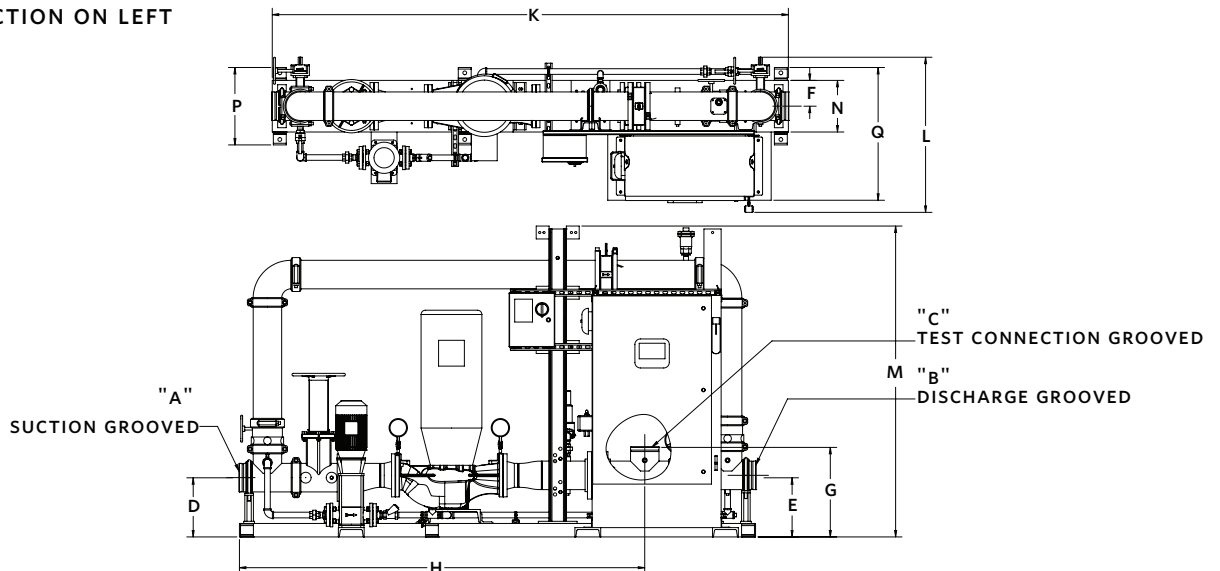
Job: _____ Representative: _____
 _____ Order no.: _____ Date: _____
 Engineer: _____ Submitted by: _____ Date: _____
 Contractor: _____ Approved by: _____ Date: _____

TAG/REF:									
PUMP DATA	FLOW	HEAD	MOTOR DATA	HP	RPM	VOLT	PH	HZ	ENCLOSURE

SUCTION ON RIGHT



SUCTION ON LEFT



PUMP DATA

FLOW (GPM)	PUMP MODEL	DIMENSIONS (INCHES)														MAX SHIPPING WEIGHT* (LBS)
		CONNECTION (GROOVED)								OVERALL DIMENSION (MAX)			BASE DIMENSION			
		A	B	C	D	E	F	G	H	K (length)	L (width)	M (height)	N	P	Q (MAX)	
50	2x1.5 LA-F	2.5	2.5	2.5	10.62	10.62	6.00	13.87	94.23	120.00	36.00	61.00	12.00	18.00	28.88	1205.00
	2x2x8 FM	2.5	2.5	2.5	11.47	11.47	6.00	14.72	94.23	120.00	36.00	61.00	12.00	18.00	30.88	1205.00
75	2x1.5 LA-F	2.5	2.5	2.5	10.37	10.62	6.00	14.37	94.23	120.00	36.00	61.00	12.00	18.00	28.88	1265.00
	2x2x8 FM	2.5	2.5	2.5	11.22	11.47	6.00	15.22	94.23	120.00	36.00	61.00	12.00	18.00	30.88	1265.00
100	2x1.5 LA-F	2.5	2.5	2.5	10.37	10.62	6.00	14.37	94.23	120.00	36.00	61.00	12.00	18.00	28.88	1265.00
	2x2x8 FM	2.5	2.5	2.5	11.22	11.47	6.00	15.22	94.23	120.00	36.00	61.00	12.00	18.00	30.88	1265.00
150	2x2x8 FM	3	3	3	10.91	11.47	6.00	15.72	94.23	120.00	36.00	61.00	12.00	18.00	30.88	1305.00
200	3x3x8 FM	3	3	3	12.69	12.69	6.00	16.94	94.23	120.00	36.00	61.00	12.00	18.00	30.88	1305.00
250	3x3x8 FM	4	4	4	12.19	12.69	6.00	17.69	94.23	120.00	41.00	72.50	12.00	18.00	30.88	1655.00
300	3x3x8 FM	4	4	4	12.19	12.69	6.00	17.69	94.23	120.00	41.00	72.50	12.00	18.00	30.88	1690.00
	4x3x9 PF	4	4	4	13.00	13.00	6.00	18.50	94.23	120.00	41.00	72.50	12.00	18.00	34.88	1690.00
400	4x3x9 PF	4	4	4	13.00	13.00	6.00	18.50	94.23	120.00	41.00	72.50	12.00	18.00	34.88	1690.00
	5x5x8 FM	4	4	4	14.84	14.31	6.00	19.31	94.23	120.00	41.00	72.50	12.00	18.00	34.88	1735.00
	6x4 LA-F	4	4	4	14.81	13.75	6.00	18.75	94.23	120.00	41.00	72.50	12.00	18.00	34.88	1885.00
450	4x3x9 PF	6	6	6	11.94	13.00	6.00	19.50	91.72	120.00	41.00	72.50	12.00	18.00	34.88	1885.00
	5x5x8 FM	6	6	4	13.78	14.31	6.00	20.81	94.23	120.00	41.00	72.50	12.00	18.00	30.88	1940.00
	6x4 LA-F	6	6	4	13.75	13.75	6.00	20.25	94.23	120.00	41.00	72.50	12.00	18.00	34.88	1885.00
500	4x3x9 PF	6	6	6	11.94	13.00	6.00	19.50	91.72	120.00	41.00	72.50	12.00	18.00	34.88	1945.00
	5x5x8 FM	6	6	6	13.78	14.31	6.00	20.81	94.23	120.00	41.00	72.50	12.00	18.00	30.88	2035.00
	6x4 LA-F	6	6	6	13.75	13.75	6.00	20.25	94.23	120.00	41.00	72.50	12.00	18.00	34.88	1945.00
750	6x4 LB-F	6	6	6	15.13	15.13	6.00	21.63	94.23	120.00	41.00	72.50	12.00	18.00	34.88	1945.00
	6x5 LY-F	6	6	6	16.63	16.63	6.00	23.13	94.23	120.00	41.00	72.50	12.00	18.00	30.88	1973.84
1,000	8x8x13 FM	8	8	6	17.19	17.19	7.50	24.94	123.33	156.00	46.00	84.00	15.00	21.00	37.88	3560.00
	8x8x15 FM	8	8	6	19.59	19.59	7.50	27.34	123.33	156.00	46.00	84.00	15.00	21.00	37.88	3560.00
	8x8x16 FM	8	8	6	19.59	19.59	7.50	27.34	123.33	156.00	46.00	84.00	15.00	21.00	37.88	3560.00
1,250	8x8x15 FM	8	8	8	19.59	19.59	7.50	27.34	123.33	156.00	46.00	84.00	15.00	21.00	37.88	3560.00
	8x8x16 FM	8	8	8	19.59	19.59	7.50	27.34	123.33	156.00	46.00	84.00	15.00	21.00	37.88	3560.00
1,500	8x8x15 FM	8	8	8	19.59	19.59	7.50	27.34	123.33	156.00	46.00	84.00	15.00	21.00	37.88	3560.00
	8x8x16 FM	8	8	8	19.59	19.59	7.50	27.34	123.33	156.00	46.00	84.00	15.00	21.00	37.88	3560.00

TORONTO

+1 416 755 2291

BUFFALO

+1 716 693 8813

DROITWICH SPA

+44 8444 145 145

MANCHESTER

+44 8444 145 145

BANGALORE

+91 80 4906 3555

SHANGHAI

+86 21 5237 0909

SÃO PAULO

+55 11 4785 1330

LYON

+33 4 26 83 78 74

DUBAI

+971 4 887 6775

MANNHEIM

+49 621 3999 9858

JIMBOLIA

+40 256 360 030

NOTE:

* Max Shipping Weight does not include Fire Pump, Jockey Pump, or Controller weights