

## END SUCTION PUMP | SERIES 40PF | ELECTRIC DRIVEN | 4x3x8.5FM | SUBMITTAL

File No: F40.602  
Date: AUGUST 10, 2016  
Supersedes: F40.63  
Date: NOVEMBER 29, 2010

Job: \_\_\_\_\_ Representative: \_\_\_\_\_  
 \_\_\_\_\_ Order no.: \_\_\_\_\_ Date: \_\_\_\_\_  
 Engineer: \_\_\_\_\_ Submitted by: \_\_\_\_\_ Date: \_\_\_\_\_  
 Contractor: \_\_\_\_\_ Approved by: \_\_\_\_\_ Date: \_\_\_\_\_

### PUMP DESIGN DATA

Flow: \_\_\_\_\_  
 Head: \_\_\_\_\_

### MOTOR DATA

HP: \_\_\_\_\_ RPM: \_\_\_\_\_  
 Volt: \_\_\_\_\_ ph: \_\_\_\_\_ Hz: \_\_\_\_\_

TAG/REF: \_\_\_\_\_

SPECIAL STARTING: \_\_\_\_\_

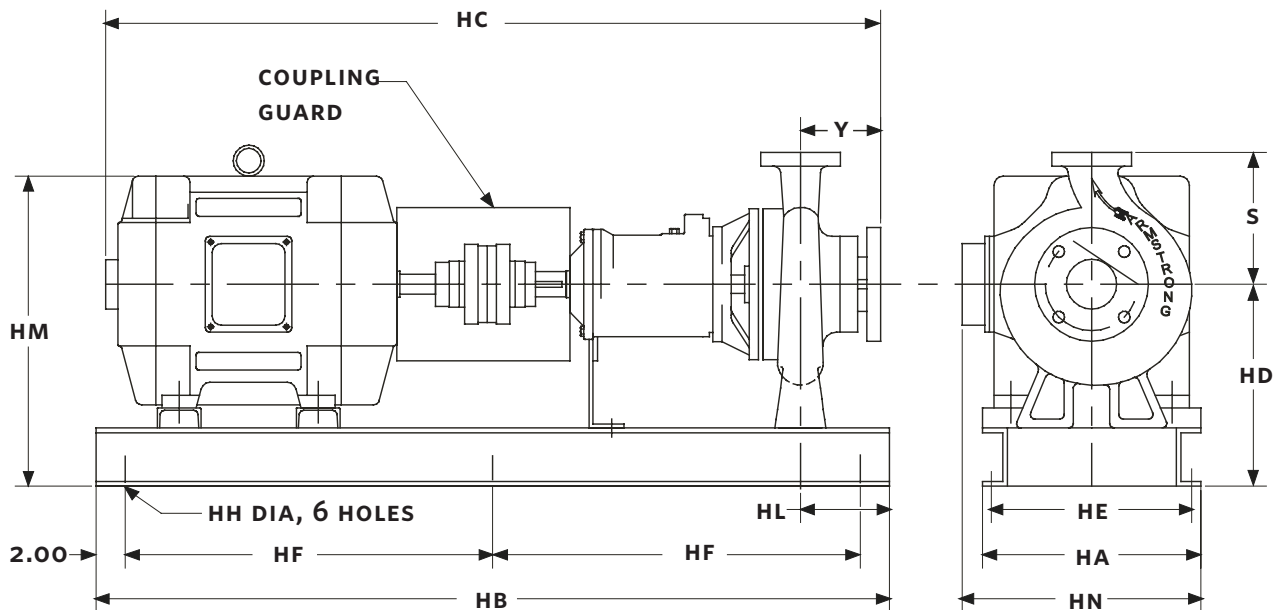
ENCLOSURE: \_\_\_\_\_

### FLANGE RATING

- ANSI 125# STD
- ANSI 250#
- PN16

### FIRE PUMP LISTING

- UL
- ULC
- FM



SUBMITTAL  
4×3×8.5FM

Series 40PF End suction pump  
Electric driven

2

MOTOR FRAME	DIMENSIONS in inches (mm)													WEIGHT in lbs (kgs)
	HA	HB	HC	HD	HE	HF	HH	HL	HM	HN	S	X	Y	
254TS	23.00 (584)	70.00 (1778)	48.00 (1219)	17.42 (442)	21.50 (546)	33.00 (838)	0.88 (22)	4.50 (114)	23.29 (592)	21.25 (540)	11.00 (279)	11.50 (292)	4.00 (102)	847 (384.2)
256TS	23.00 (584)	70.00 (1778)	48.00 (1219)	17.42 (442)	21.50 (546)	33.00 (838)	0.88 (22)	4.50 (114)	23.29 (592)	21.25 (540)	11.00 (279)	11.50 (292)	4.00 (102)	847 (384.2)
284TS	23.00 (584)	70.00 (1778)	48.31 (1227)	17.42 (442)	21.50 (546)	33.00 (838)	0.88 (22)	4.50 (114)	23.64 (600)	23.25 (591)	11.00 (279)	11.50 (292)	4.00 (102)	1048 (475.4)
286TS	23.00 (584)	70.00 (1778)	48.31 (1227)	17.42 (442)	21.50 (546)	33.00 (838)	0.88 (22)	4.50 (114)	23.64 (600)	23.25 (591)	11.00 (279)	11.50 (292)	4.00 (102)	1048 (475.4)
324TS	23.00 (584)	70.00 (1778)	50.31 (1278)	17.42 (442)	21.50 (546)	33.00 (838)	0.88 (22)	4.50 (114)	24.92 (633)	26.13 (664)	11.00 (279)	11.50 (292)	4.00 (102)	1388 (629.6)
326TS	23.00 (584)	70.00 (1778)	50.31 (1278)	17.42 (442)	21.50 (546)	33.00 (838)	0.88 (22)	4.50 (114)	24.92 (633)	26.13 (664)	11.00 (279)	11.50 (292)	4.00 (102)	1388 (629.6)
364TS	23.00 (584)	70.00 (1778)	52.12 (1324)	17.42 (442)	21.50 (546)	33.00 (838)	0.88 (22)	4.50 (114)	25.92 (658)	27.88 (708)	11.00 (279)	11.50 (292)	4.00 (102)	1828 (829.2)
365TS	23.00 (584)	70.00 (1778)	52.12 (1324)	17.42 (442)	21.50 (546)	33.00 (838)	0.88 (22)	4.50 (114)	25.92 (658)	27.88 (708)	11.00 (279)	11.50 (292)	4.00 (102)	1828 (829.2)

TORONTO  
+1 416 755 2291

BUFFALO  
+1 716 693 8813

BIRMINGHAM  
+44 (0) 8444 145 145

MANCHESTER  
+44 (0) 8444 145 145

BANGALORE  
+91 (0) 80 4906 3555

SHANGHAI  
+86 21 3756 6696

SÃO PAULO  
+55 11 4781 5500

ARMSTRONG FLUID TECHNOLOGY  
ESTABLISHED 1934

ARMSTRONGFLUIDTECHNOLOGY.COM