

## HORIZONTAL SPLIT CASE PUMP | SERIES 4600F | ELECTRIC DRIVEN | 5x4x17F | SUBMITTAL

File No: F46.524  
Date: SEPTEMBER 25, 2018  
Supersedes: F46.524  
Date: AUGUST 10, 2016

Job: \_\_\_\_\_ Representative: \_\_\_\_\_  
 \_\_\_\_\_ Order no.: \_\_\_\_\_ Date: \_\_\_\_\_  
 Engineer: \_\_\_\_\_ Submitted by: \_\_\_\_\_ Date: \_\_\_\_\_  
 Contractor: \_\_\_\_\_ Approved by: \_\_\_\_\_ Date: \_\_\_\_\_

### PUMP DESIGN DATA

Flow: \_\_\_\_\_  
 Head: \_\_\_\_\_

ENCLOSURE: \_\_\_\_\_

SPECIAL STARTING: \_\_\_\_\_

### FLANGE RATING

- ANSI 125# STD<sup>1</sup>
- ANSI 125# Suction  
250# Discharge
- ANSI 250# Suction  
250# Discharge
- PN 16

### MOTOR DATA

HP: \_\_\_\_\_ RPM: \_\_\_\_\_  
 Volt: \_\_\_\_\_ ph: \_\_\_\_\_ Hz: \_\_\_\_\_

### FIRE PUMP LISTING

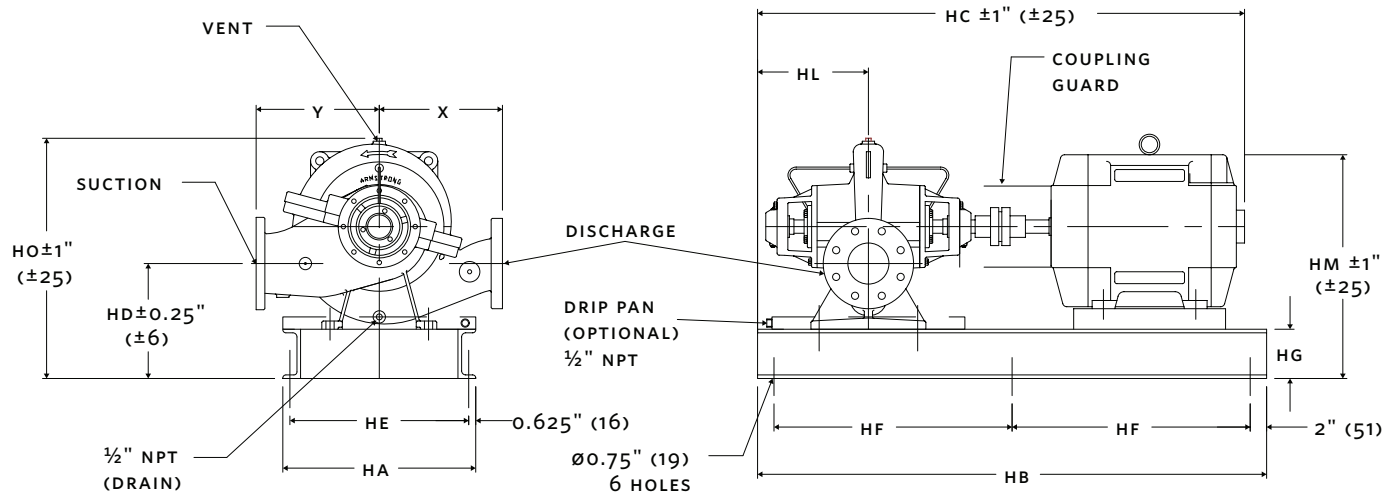
- UL
- ULC
- FM

### To be indicated by customer

- Suction side (viewed from driver end)
- Right hand (shown)    Left hand

### NOTES

- 1 Std. Discharge flange thickness ANSI 250#.
- 2 Coupling guard not shown.
- 3 All dimensions for engine connections are with reference to engine manufacturer's installation drawings.
- 4 Do not use for construction unless certified.



MOTOR FRAME	DIMENSIONS INCHES (MM)										X	Y	WEIGHT LBS(KG)
	HA	HB	HC	HD	HE	HF	HG	HL	HM	HO			
284TS	19.00 (483)	58.00 (1473)	56.06 (1424)	8.32 (211)	17.75 (451)	27.00 (686)	4.00 (102)	13.50 (343)	25.57 (649)	28.88 (733)	11.63 (295)	13.25 (336)	1269 (575.6)
286TS	19.00 (483)	58.00 (1473)	57.56 (1462)	8.32 (211)	17.75 (451)	27.00 (686)	4.00 (102)	13.50 (343)	25.57 (649)	28.88 (733)	11.63 (295)	13.25 (336)	1269 (575.6)
324TS	19.00 (483)	58.00 (1473)	59.12 (1502)	8.32 (211)	17.75 (451)	27.00 (686)	4.00 (102)	13.50 (343)	26.45 (672)	28.88 (733)	11.63 (295)	13.25 (336)	1622 (735.7)
326TS	19.00 (483)	58.00 (1473)	60.62 (1540)	8.32 (211)	17.75 (451)	27.00 (686)	4.00 (102)	13.50 (343)	26.45 (672)	28.88 (733)	11.63 (295)	13.25 (336)	1622 (735.7)
364TS	19.00 (483)	64.00 (1626)	62.58 (1590)	8.32 (211)	17.75 (451)	30.00 (762)	4.00 (102)	13.50 (343)	28.00 (711)	28.88 (733)	11.63 (295)	13.25 (336)	2167 (982.9)
365TS	19.00 (483)	64.00 (1626)	62.58 (1590)	8.32 (211)	17.75 (451)	30.00 (762)	4.00 (102)	13.50 (343)	28.00 (711)	28.88 (733)	11.63 (295)	13.25 (336)	2167 (982.9)
404TS	19.00 (483)	64.00 (1626)	66.08 (1678)	8.32 (211)	17.75 (451)	30.00 (762)	4.00 (102)	13.50 (343)	28.00 (711)	28.88 (733)	11.63 (295)	13.25 (336)	2030 (920.8)
405TS	19.00 (483)	64.00 (1626)	66.08 (1678)	8.32 (211)	17.75 (451)	30.00 (762)	4.00 (102)	13.50 (343)	28.00 (711)	28.88 (733)	11.63 (295)	13.25 (336)	2030 (920.8)
444TS	25.00 (635)	70.00 (1778)	70.03 (1779)	9.92 (252)	23.75 (603)	33.00 (838)	4.00 (102)	13.50 (343)	31.81 (808)	30.47 (774)	11.63 (295)	13.25 (336)	2685 (1217.9)
445TS	25.00 (635)	70.00 (1778)	70.03 (1779)	9.92 (252)	23.75 (603)	33.00 (838)	4.00 (102)	13.50 (343)	31.81 (808)	30.47 (774)	11.63 (295)	13.25 (336)	2685 (1217.9)
447TS	25.00 (635)	80.00 (2032)	74.55 (1893)	9.92 (252)	23.75 (603)	38.00 (965)	4.00 (102)	13.50 (343)	31.81 (808)	30.47 (774)	11.63 (295)	13.25 (336)	3297 (1495.5)
449TS	25.00 (635)	80.00 (2032)	82.23 (2089)	9.92 (252)	23.75 (603)	38.00 (965)	4.00 (102)	13.50 (343)	32.13 (816)	30.47 (774)	11.63 (295)	13.25 (336)	3297 (1495.5)

TORONTO  
+1 416 755 2291

BUFFALO  
+1 716 693 8813

BIRMINGHAM  
+44 (0) 8444 145 145

MANCHESTER  
+44 (0) 8444 145 145

BANGALORE  
+91 (0) 80 4906 3555

SHANGHAI  
+86 21 3756 6696

SÃO PAULO  
+55 11 4785 1330