

HORIZONTAL SPLIT CASE PUMP | SERIES 4600F | ELECTRIC DRIVEN | 12x8x18F | SUBMITTAL

File No: F46.526
Date: JULY 7, 2020
Supersedes: F46.526
Date: SEPTEMBER 25, 2018

Job: _____ Representative: _____

Order no.: _____ Date: _____

Engineer: _____ Submitted by: _____ Date: _____

Contractor: _____ Approved by: _____ Date: _____

PUMP DESIGN DATA

Flow: _____

Head: _____

ENCLOSURE: _____

SPECIAL STARTING: _____

MOTOR DATA

HP: _____ RPM: _____

Volt: _____ ph: _____ Hz: _____

FIRE PUMP LISTING

- UL
- ULC
- FM

FLANGE RATING

- ANSI 125# STD¹
- ANSI 125# Suction
250# Discharge
- ANSI 250# Suction
250# Discharge
- PN 16

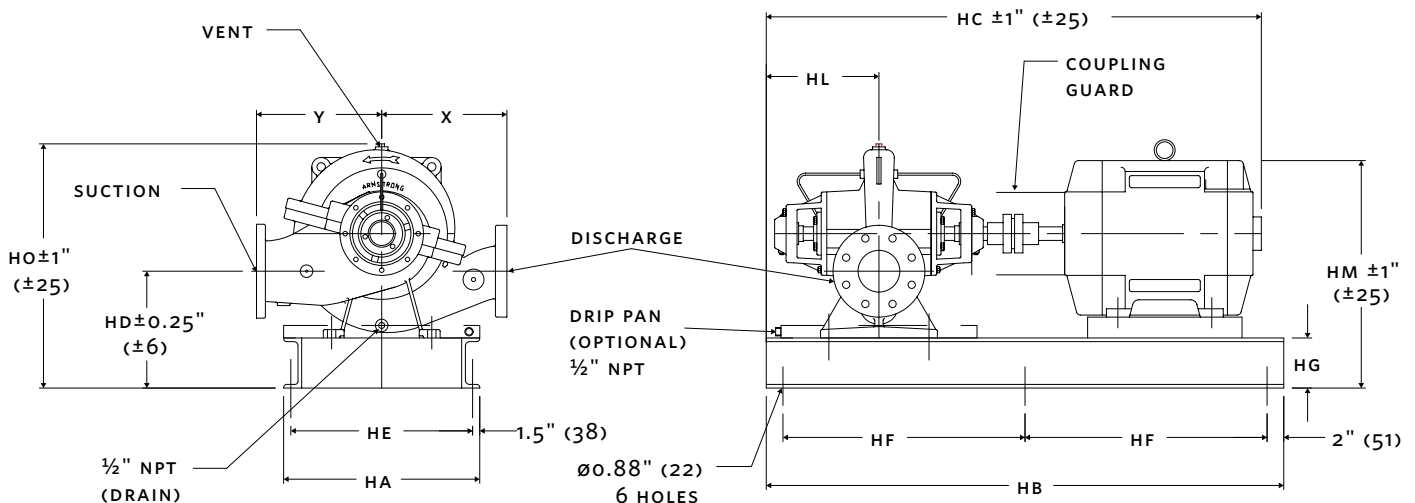
To be indicated by customer

Suction side (viewed from driver end)

- Right hand (shown) Left hand

NOTES

- 1 Std. Discharge flange thickness ANSI 250#.
- 2 Coupling guard not shown.
- 3 All dimensions for engine connections are with reference to engine manufacturer's installation drawings.
- 4 Do not use for construction unless certified.



MOTOR FRAME	DIMENSIONS inches (mm)												WEIGHT lbs (kg)
	HA	HB	HC	HD	HE	HF	HG	HL	HM	HO	X	Y	
404TS	32.00 (813)	100.00 (2540)	73.41 (1865)	17.50 (445)	29.00 (737)	48.00 (1219)	6.00 (152)	19.35 (491)	39.75 (1010)	45.00 (1143)	18.00 (457)	21.00 (533)	1700 (771.1)
405TS	32.00 (813)	100.00 (2540)	73.41 (1865)	17.50 (445)	29.00 (737)	48.00 (1219)	6.00 (152)	19.35 (491)	39.75 (1010)	45.00 (1143)	18.00 (457)	21.00 (533)	1750 (793.8)
444TS	32.00 (813)	100.00 (2540)	81.97 (2082)	17.50 (445)	29.00 (737)	48.00 (1219)	6.00 (152)	19.35 (491)	40.75 (1035)	45.00 (1143)	18.00 (457)	21.00 (533)	2072 (939.8)
445TS	32.00 (813)	100.00 (2540)	81.97 (2082)	17.50 (445)	29.00 (737)	48.00 (1219)	6.00 (152)	19.35 (491)	40.75 (1035)	45.00 (1143)	18.00 (457)	21.00 (533)	2172 (985.2)
447TS	32.00 (813)	100.00 (2540)	90.60 (2301)	17.50 (445)	29.00 (737)	48.00 (1219)	6.00 (152)	19.35 (491)	40.75 (1035)	45.00 (1143)	18.00 (457)	21.00 (533)	2635 (1195.2)
449TS	32.00 (813)	100.00 (2540)	90.60 (2301)	17.50 (445)	29.00 (737)	48.00 (1219)	6.00 (152)	19.35 (491)	40.75 (1035)	45.00 (1143)	18.00 (457)	21.00 (533)	2945 (1335.8)

TORONTO
+1 416 755 2291

BUFFALO
+1 716 693 8813

BIRMINGHAM
+44 (0) 8444 145 145

MANCHESTER
+44 (0) 8444 145 145

BANGALORE
+91 (0) 80 4906 3555

SHANGHAI
+86 (0) 21 5237 0909

SÃO PAULO
+55 11 4785 1330

LYON
+33 (0) 420 102 625

DUBAI
+971 4 887 6775

MANNHEIM
+49 (0) 621 3999 9858