

VERTICAL IN-LINE FIRE PUMP | 6 x 4 LA - F | SUBMITTAL

File No: F43.103B
Date: AUGUST 10, 2016
Supersedes: F43.103D
Date: JULY 3, 2002

Job: _____ Representative: _____
 _____ Order no.: _____ Date: _____
 Engineer: _____ Submitted by: _____ Date: _____
 Contractor: _____ Approved by: _____ Date: _____

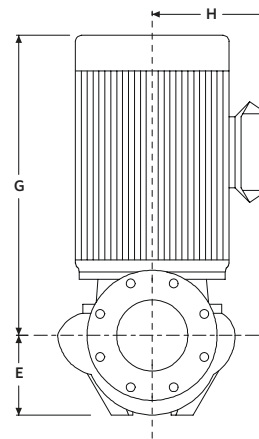
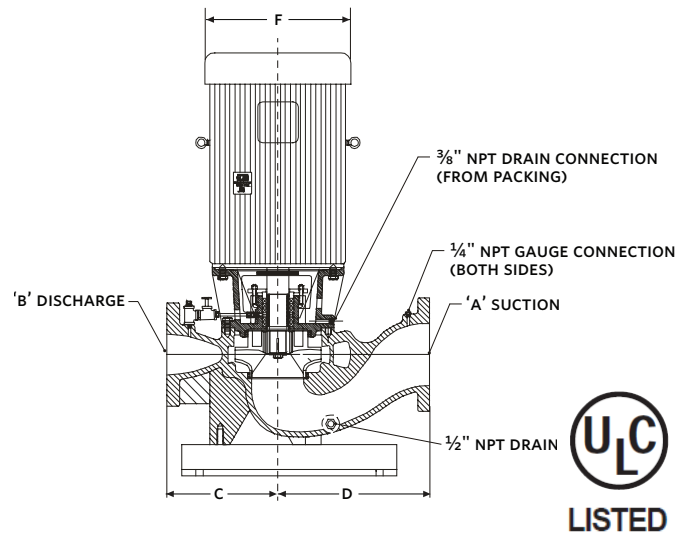
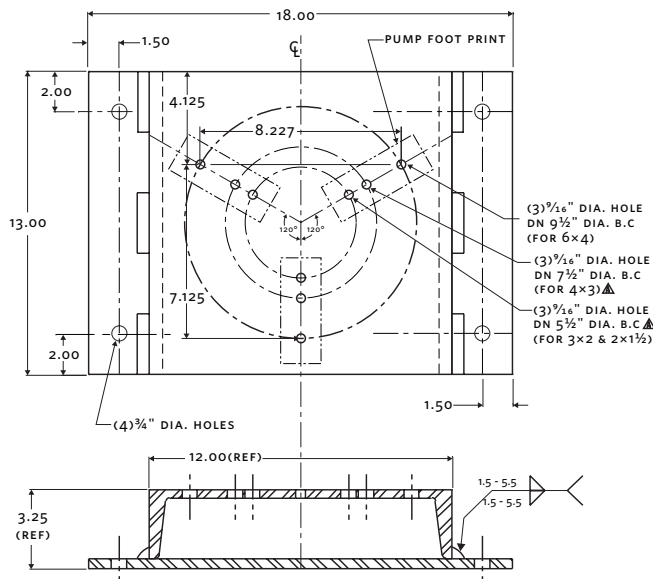
FIRE PUMP LISTING

- UL
- ULC
- FM
- Dimensions are not to be used for construction purposes unless certified.
- Data subject to change without notice.

FLANGE RATING

- ANSI 125# STD
- ANSI 125# SUCTION
250# DISCHARGE

250# Flanged Shown



2

PUMP DATA

PUMP	DIMENSIONS inches (mm)					WEIGHT
MODEL	A	B	C	D	E	lbs (kgs)
6×4LA-F	6.00 (152)	4.00 (102)	11.00 (279)	15.00 (381)	7.48 (190)	283 (128.4)

UL LISTED MOTOR DATA

MOTOR	DIMENSIONS inches (mm)			WEIGHT
FRAME	F MAX	G MAX	H MAX	lbs (kgs)
184JP	9.50 (241)	19.06 (484)	5.25 (133)	86 (39.0)
213JP	11.00 (279)	21.25 (540)	7.00 (178)	136 (61.7)
215JP	11.00 (279)	22.75 (578)	7.50 (191)	158 (71.7)
254JM	12.13 (308)	25.63 (651)	9.94 (252)	204 (92.5)
254JP	12.13 (308)	24.15 (613)	9.94 (252)	204 (92.5)
256JM	12.13 (308)	25.63 (651)	9.94 (252)	235 (106.6)
256JP	12.13 (308)	24.15 (613)	9.94 (252)	235 (106.6)
284JP	11.50 (292)	31.31 (795)	10.81 (275)	279 (126.6)
286JP	11.50 (292)	31.31(795)	10.81 (275)	326 (147.9)
324JP	14.19 (360)	32.69 (830)	10.81 (275)	424 (192.3)
364JP	17.87 (454)	32.33 (821)	16.38 (416)	651 (295.3)
365JP	17.87 (454)	32.33 (821)	16.38 (416)	651 (295.3)

TORONTO
+1 416 755 2291

BUFFALO
+1 716 693 8813

BIRMINGHAM
+44 (0) 8444 145 145

MANCHESTER
+44 (0) 8444 145 145

BANGALORE
+91 (0) 80 4906 3555

SHANGHAI
+86 21 3756 6696

SÃO PAULO
+55 11 4781 5500