

CENTRIFUGAL PUMPS

SUBMITTAL DATA

SERIES 5200—DUPLIX ARRANGEMENT

CUSTOMER

CUSTOMER'S ORDER NO.

ARMSTRONG REFERENCE

ENGINEER

JOB REFERENCE

SPECIFICATION REFERENCE

NO. OF UNITS

QUOTATION REFERENCE

PUMP DESIGN DATA	
PUMP SIZE	LIQUID
CAPACITY USGPM	SPECIFIC GRAVITY
FEET HEAD	TEMP °F

SPECIFICATIONS
<p>A standard duplex unit comprises two pumps of the vertical, shaft driven, single stage, centrifugal type with cast iron casing, cast iron impeller, cast iron strainer, bronze guide bearings, ball thrust bearing, grease lubrication, stainless steel shaft, cast iron motor support and steel floor plate. Each pump is directly connected to a vertical, solid shaft, ball bearing driving motor.</p> <p>Special features furnished to this order only are checked below:</p> <ul style="list-style-type: none"> <input type="checkbox"/> Bronze impellers <input type="checkbox"/> All bronze construction <input type="checkbox"/> <input type="checkbox"/> <input type="checkbox"/>

MOTOR DESIGN DATA		
HP RATING	FRAME SIZE	
SPEED RPM	ENCLOSURE	
VOLTS	HERTZ	PHASE

SUMP DESIGN DATA	
INSIDE DIMENSIONS	SUMP DEPTH INCHES

SUMP ACCESSORIES		
DESCRIPTION	DRAWING NUMBER	CHECK IF SUPPLIED BY ARMSTRONG
CURB FRAME		
COVER PLATE		
SUMP BASIN		

REMARKS
<p>DIMENSIONS: See Reverse Side</p> <p>PERFORMANCE: See Reverse Side</p> <p>CONTROLS AND ACCESSORIES: See separate submittal data sheet and wiring diagram (attached)</p>

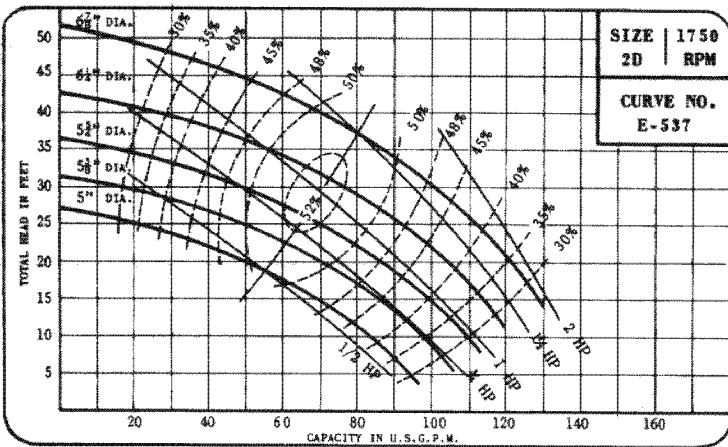
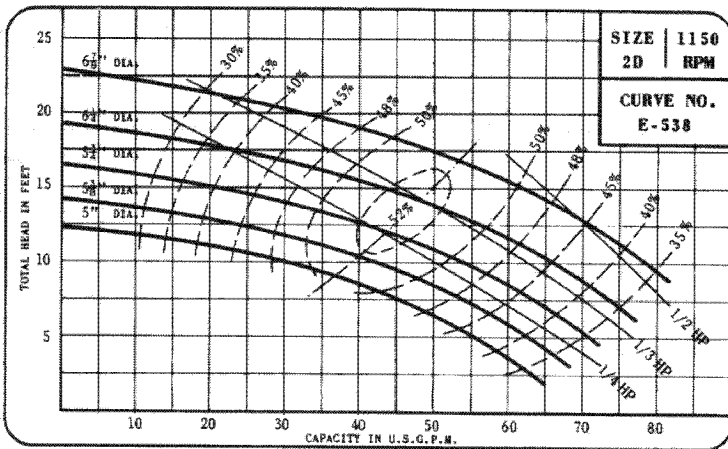
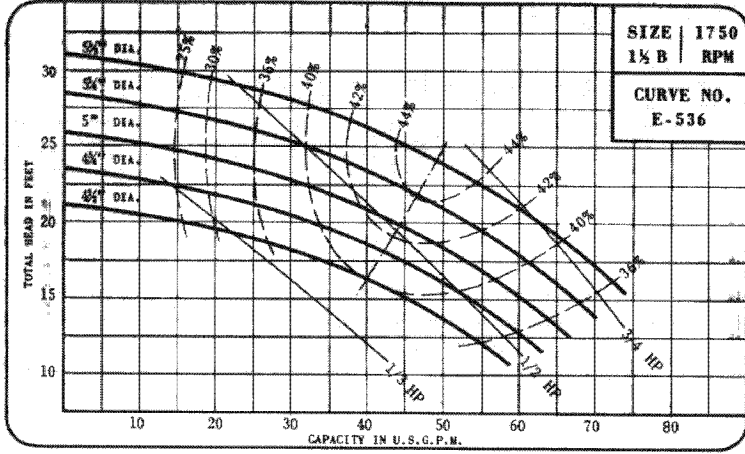
PREPARED BY:

DATE:

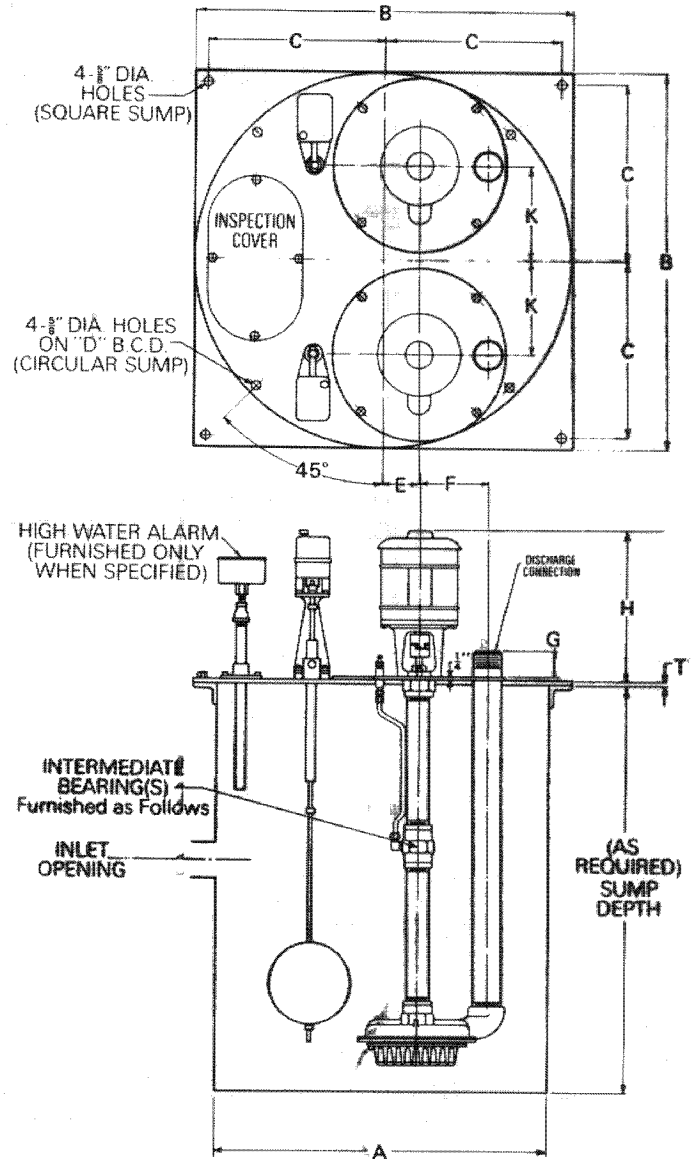
SERIES 5200

DUPLEX UNIT

FOR EXACT INSTALLATION DATA, PLEASE WRITE FACTORY FOR CERTIFIED DIMENSIONS.



PERFORMANCE AND DIMENSIONAL DATA



ALL DIMENSIONS IN INCHES

RECOMMENDED SUMP SIZE	A	B	C	D	E	T	K	INSPECTION COVER SIZE
36" DIA.	40	—	38	2	3/8	10	10 1/2 x 13	
36" SQUARE	40	19	—	8	3/8	10	14 x 20	
42" DIA.	46	—	44	6	1/2	10	10 1/2 x 13	
42" SQUARE	46	22	—	9	1/2	11	14 x 20	

PUMP SIZE	DISCHARGE CONNECTION	F	G
1 1/2 B	1 1/2 NPT	6 1/2	4 1/2

PUMP SIZE	DISCHARGE CONNECTION	F	G
2D	2NPT	7	5

MOTOR FRAME SIZE	H-56C	K-56C	M-56C	143-TC	145TC
DIMENSION H	14	15 3/8	16 3/8	16 1/2	17 1/2

SUMP DEPTH IN FEET	NO. OF BEARINGS
Up to 3 1/2	0
4' to 6'	1
6 1/2' to 8	2
9' to 12'	3

S.A. Armstrong Limited
23 Bertrand Avenue
Toronto, Ontario
Canada, M1L 2P3
Tel: (416) 755-2291
Fax: (416) 759-9101

Armstrong Pumps Limited
Peartree Road, Stanway
Colchester, Essex
United Kingdom, C03 5JX
Tel: 01206-579491
Fax: 01206-760532



Armstrong Pumps Inc.
93 East Avenue
Buffalo, New York
U.S.A. 14120-6594
Tel: (716) 693-8813
Fax: (716) 693-8970

Armstrong Darling Inc.
2200 Place Transcanadienne
Montreal, Quebec
Canada, H9P 2X5
Tel: (514) 421-2424
Fax: (514) 421-2436

Printed in Canada