

CENTRIFUGAL PUMPS SUBMITTAL DATA SERIES 5400—DUPLIX ARRANGEMENT

CUSTOMER

CUSTOMER'S ORDER NO.

ARMSTRONG REFERENCE

ENGINEER

JOB REFERENCE

SPECIFICATION REFERENCE

NO. OF UNITS

QUOTATION REFERENCE

PUMP DESIGN DATA			
PUMP SIZE	LIQUID SPECIFIC GRAVITY	TEMP	SOLID SIZE
CAPACITY USGPM		°F	
FEET HEAD			

SPECIFICATIONS
<p>A standard duplex unit comprises two pumps of the vertical, shaft driven, single stage, centrifugal type with cast iron casing, cast iron impeller, bronze guide bearings, ball thrust bearing, grease lubrication, alloy steel shaft, cast iron motor support and steel floor plate. Each pump is directly connected to a vertical, solid shaft, ball bearing driving motor.</p> <p>Special features furnished on this order only are checked below:</p> <ul style="list-style-type: none"> <input type="checkbox"/> <i>Stainless Steel Shafts</i> <input type="checkbox"/> <i>Bronze Impellers</i> <input type="checkbox"/> <i>Graphite bearing with internal lubrication</i> <input type="checkbox"/> <i>Oil lubrication</i> <input type="checkbox"/> <i>Cutless rubber lower bearing</i> <input type="checkbox"/> <input type="checkbox"/> <input type="checkbox"/>

MOTOR DESIGN DATA			
HP RATING	FRAME SIZE	ENCLOSURE	
SPEED RPM			
VOLTS	HERTZ	PHASE	

SUMP DESIGN DATA		
INSIDE DIMENSIONS	SUMP DEPTH	INCHES

SUMP ACCESSORIES		
DESCRIPTION	DRAWING NUMBER	CHECK IF SUPPLIED BY ARMSTRONG
CURB FRAME		
COVER PLATE		
SUMP BASIN		

REMARKS	
DIMENSIONS:	See Reverse Side
PERFORMANCE:	See Reverse Side
CONTROLS AND ACCESSORIES:	See separate submittal data sheet and wiring diagram (attached)

PREPARED BY:

DATE:

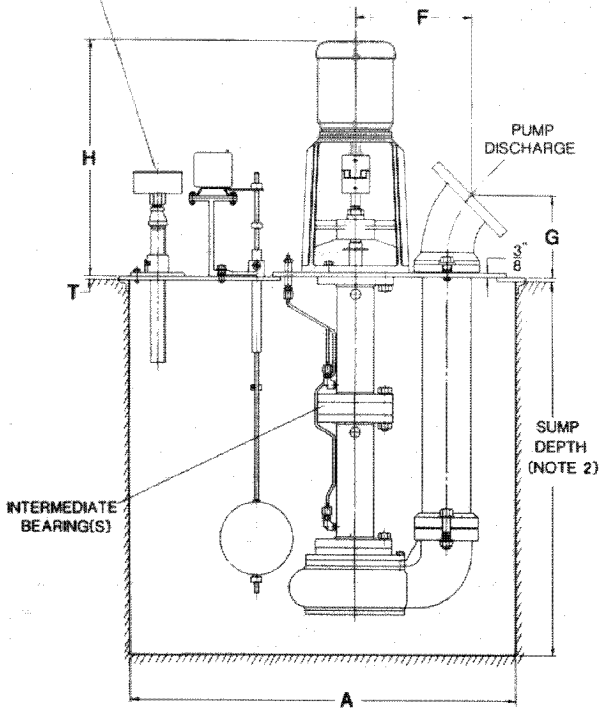
SERIES 5400

DUPLEX UNIT

DIMENSIONAL DATA

FOR EXACT INSTALLATION DATA, PLEASE WRITE FACTORY FOR CERTIFIED DIMENSIONS.

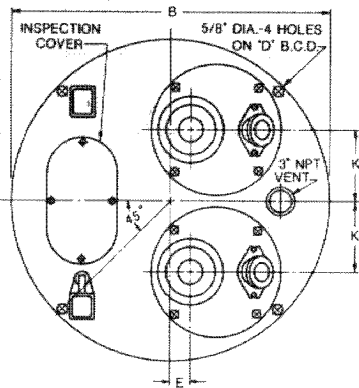
HIGH WATER ALARM
(NOTE 1)



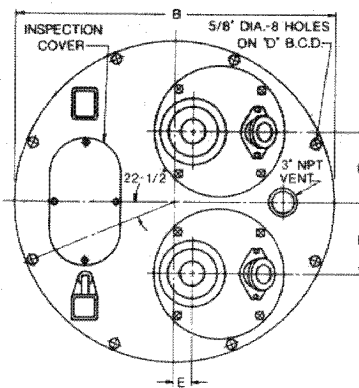
ALL DIMENSIONS IN INCHES

SUMP SIZE A	B	C	D	E			K	T	INSPECTION COVER SIZE
				3D	4D	4E			
36" DIA.	40	-	38	0	1 3/4*	1 3/4*	10	3/8	10 1/2 x 13
42" DIA.	46	-	44	4	2 3/4	2 3/4	10	1/2	10 1/2 x 13
48" DIA.	54	-	51	7	5 3/4	5 3/4	12	1/2	14 x 20
54" DIA.	60	-	57	8	6 3/4	6 3/4	14	5/8	14 x 20
60" DIA.	66	-	63	8	6 3/4	6 3/4	16	5/8	14 x 20
72" DIA.	78	-	75	10	8 3/4	8 3/4	18	3/4	14 x 20
36" SQUARE	40	19	-	6	4 3/4	4 3/4	10	3/8	14 x 20
42" SQUARE	46	22	-	7	5 3/4	5 3/4	11	1/2	14 x 20
48" SQUARE	54	14 1/2	-	9	7 3/4	7 3/4	12	1/2	14 x 20
54" SQUARE	60	16	-	8	6 3/4	6 3/4	14	5/8	14 x 20
60" SQUARE	66	19	-	8	6 3/4	6 3/4	16	5/8	14 x 20
72" SQUARE	78	23	-	11	9 3/4	9 3/4	18	3/4	14 x 20

* Denotes negative dimensions



SUMPS UP TO 42" INSIDE DIAMETER

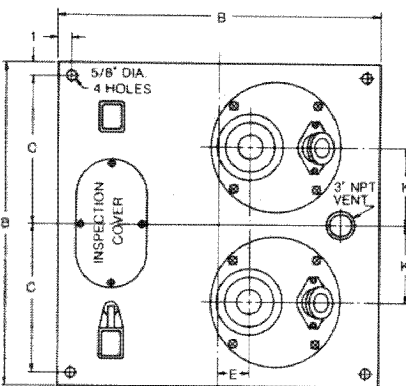


SUMPS 48" INSIDE DIAMETER AND LARGER

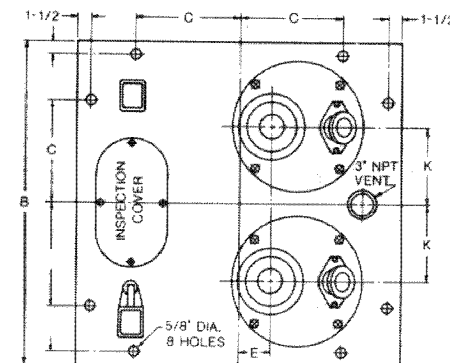
PUMP	F	G	PUMP DISCHARGE
3D	9	3 3/4	Screwed 3" NPT
4D	10 7/8	7 3/4	Flanged 4" 125# ASA
4E	11 7/8	7 1/8	Flanged 4" 125# ASA

SUMP DEPTH IN FEET	NO. OF INTERMEDIATE BEARINGS
Up to 4'-6"	0
5' to 8'	1
9' to 12'	2

MOTOR FRAME SIZE	56C	143TC	145TC	182TC	184TC	213TC	215TC	254TC	256TC
H APPROX.	21 1/2	22	22	22 3/4	24 1/2	26 1/4	27 3/4	28 3/4	30 3/4



SUMPS UP TO 42" SQUARE



SUMPS 48" SQUARE AND LARGER

NOTE 1. High water alarm furnished only where specified.
NOTE 2. Sump depth specified on reverse side.

S.A. Armstrong Limited
23 Bertrand Avenue
Toronto, Ontario
Canada, M1L 2P3
Tel: (416) 755-2291
Fax: (416) 759-9101

Armstrong Pumps Limited
Peartree Road, Stanway
Colchester, Essex
United Kingdom, C03 5JX
Tel: 01206-579491
Fax: 01206-760532



Armstrong Pumps Inc.
93 East Avenue
Buffalo, New York
U.S.A. 14120-6594
Tel: (716) 693-8813
Fax: (716) 693-8970

Armstrong Darling Inc.
2200 Place Transcanadienne
Montreal, Quebec
Canada, H9P 2X5
Tel: (514) 421-2424
Fax: (514) 421-2436

Printed in Canada